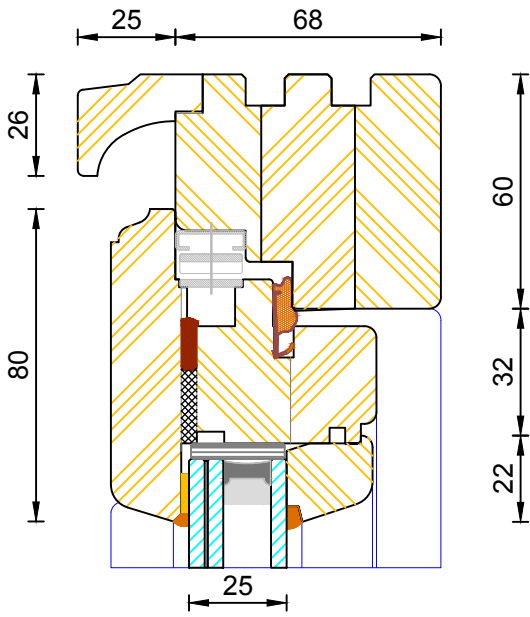
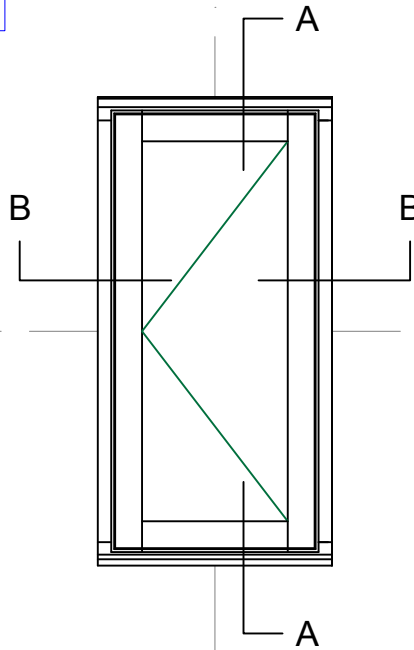
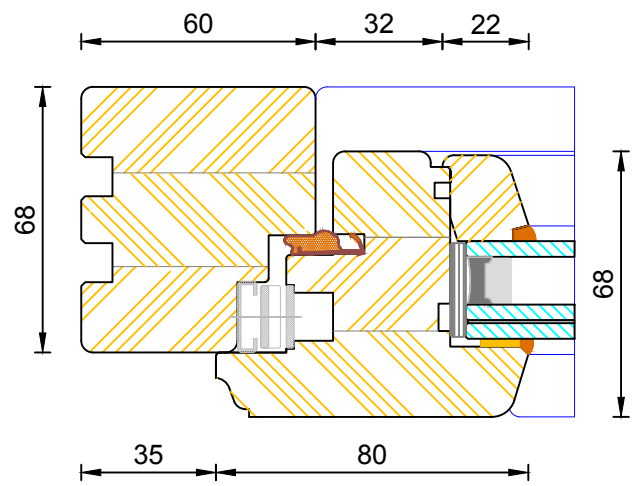


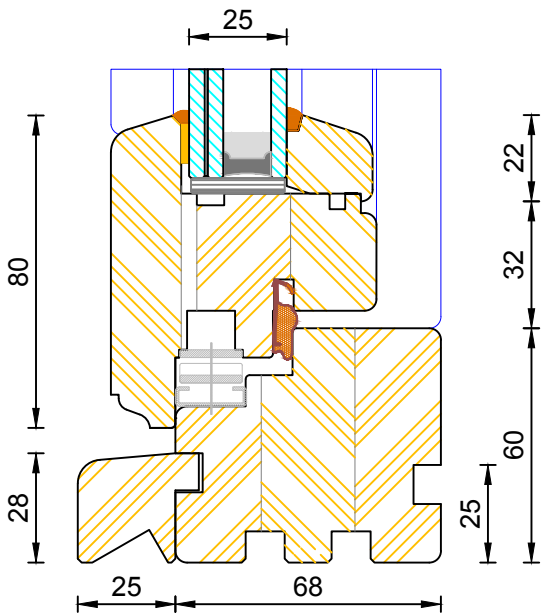
Section A-A



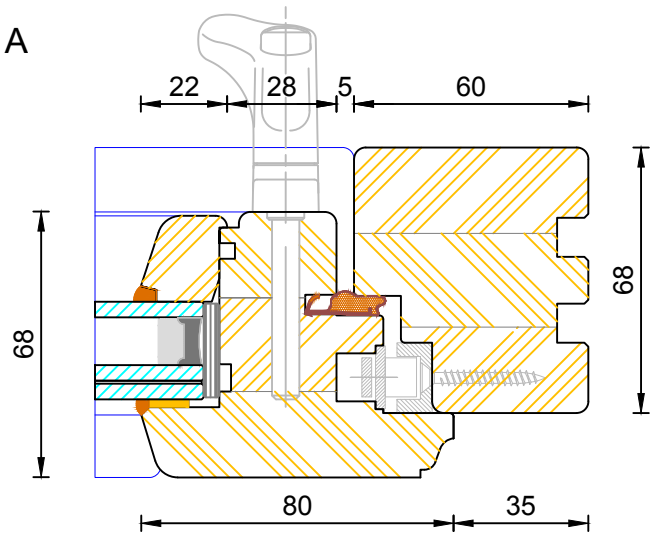
Section B-B



Section A-A



Section B-B



Typical sections showing acoustic glass - 8.8Aku/12ar/4T (39 dB)  
 For full sectional details please refer to our standard double glazed sections

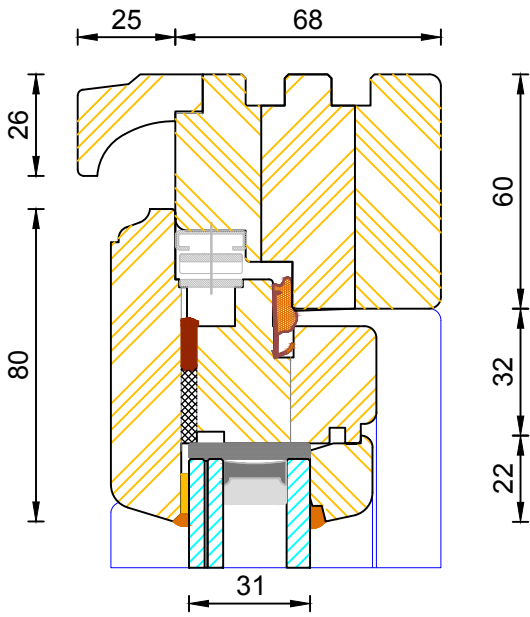


Contemporary Lipped Casement Window  
 Frame & Sash Sections - Acoustic Rating **38dB**

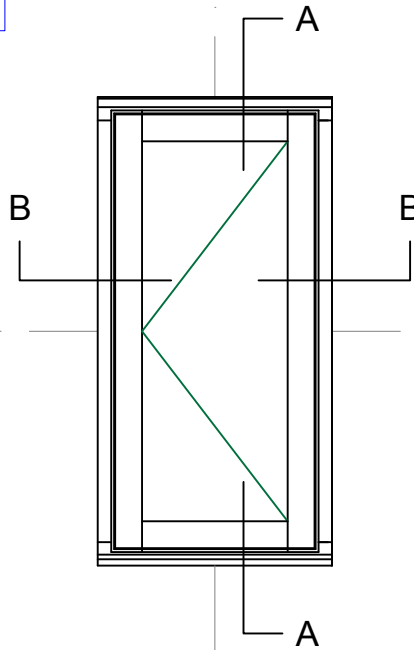
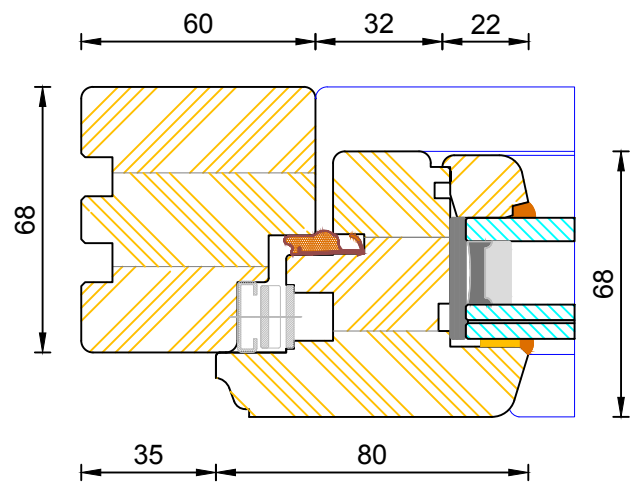
DIMENSIONS	PLOT SIZE	SCALE	DATE	REV	DWG NO.
MM	A2	1:1	04.01.2016	A	0164

Please consider the environment before printing

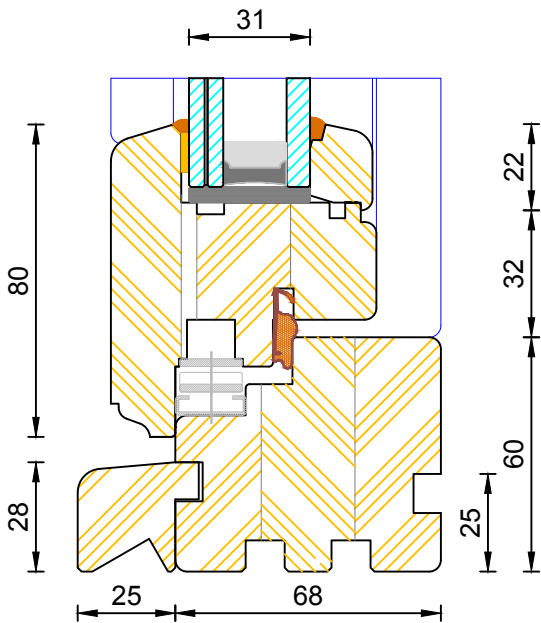
Section A-A



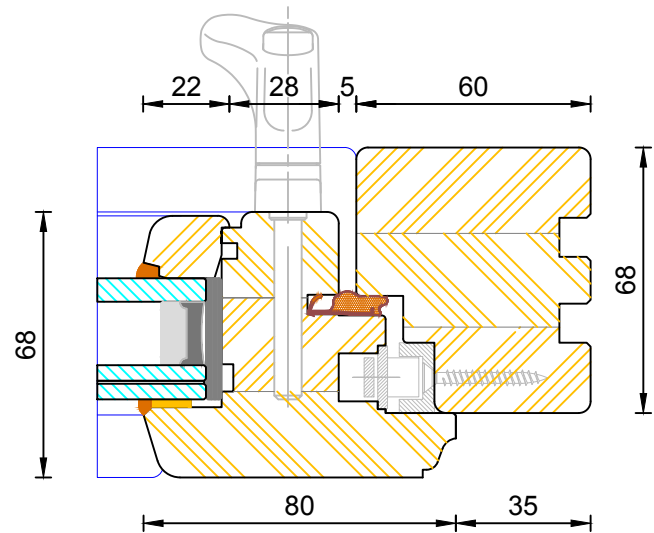
Section B-B



Section A-A



Section B-B



Typical sections showing acoustic glass - 8.8Aku/16ar/6T (42 dB)  
 For full sectional details please refer to our standard double glazed sections



Contemporary Lipped Casement Window  
 Frame & Sash Sections - Acoustic Rating 41dB

DIMENSIONS	PLOT SIZE	SCALE	DATE	REV	DWG NO.
MM	A2	1:1	04.01.2016	A	0165

Please consider the environment before printing