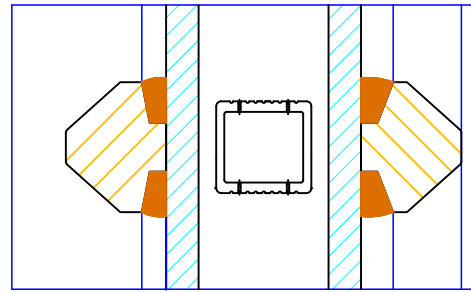


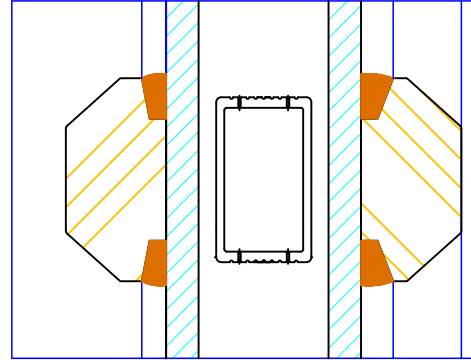
Contemporary Sliding Sash Spiral Balance Cill Extension Options

DIMENSIONS	PLOT SIZE	SCALE	DATE	REV	DWG NO.
MM	A4	1:1	08.10.2019	B	0401

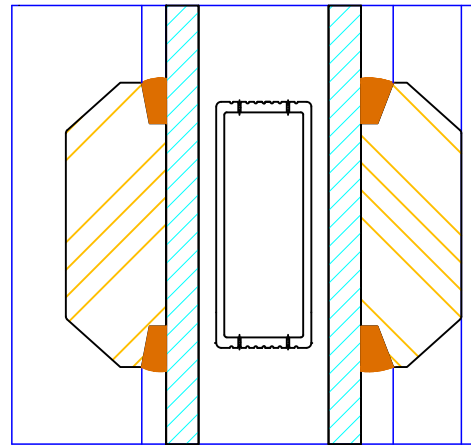
Please consider the environment before printing



16

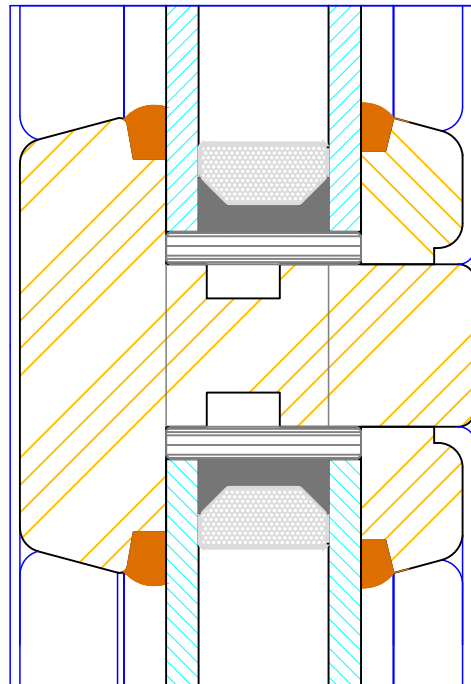


25

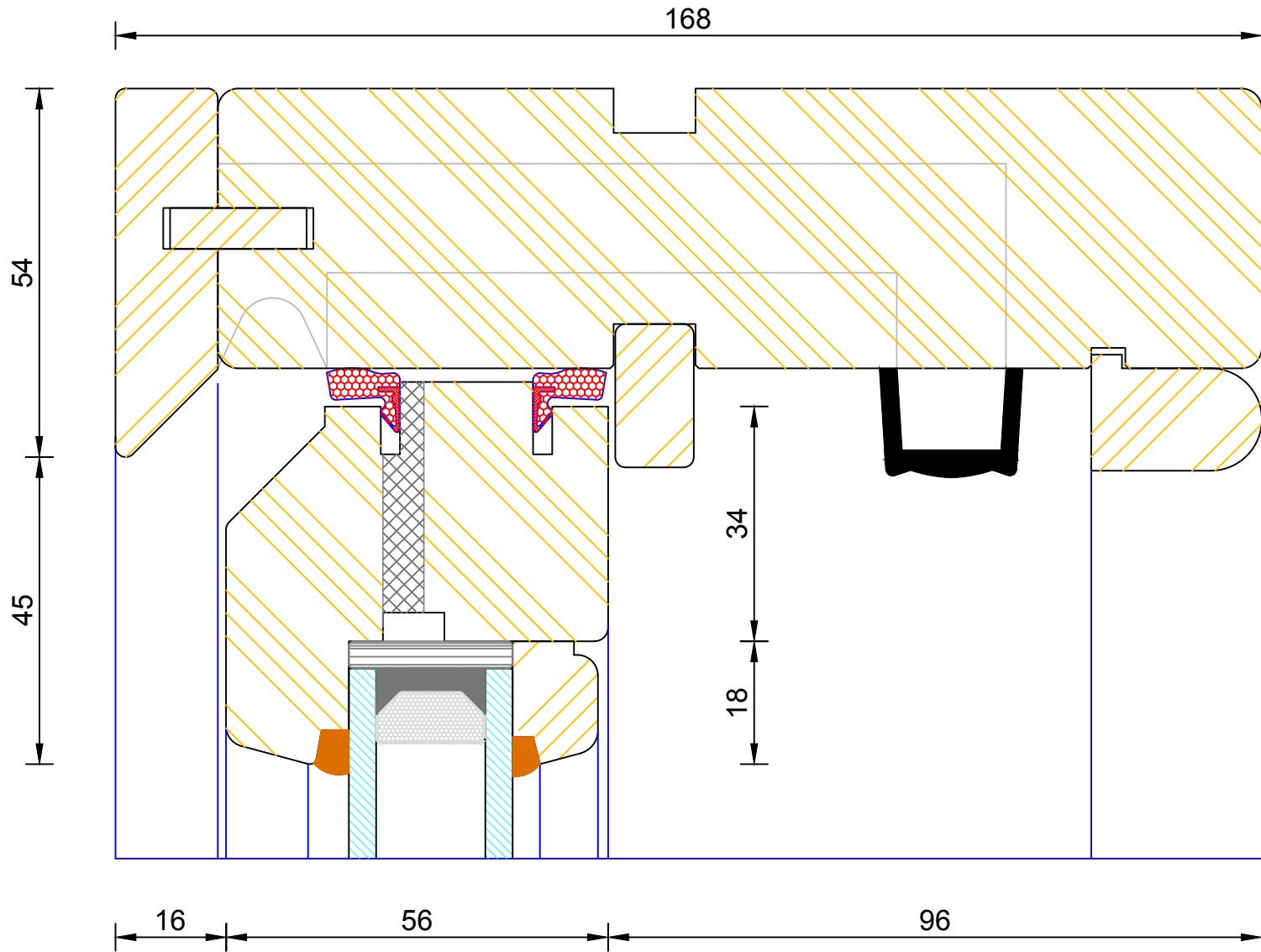
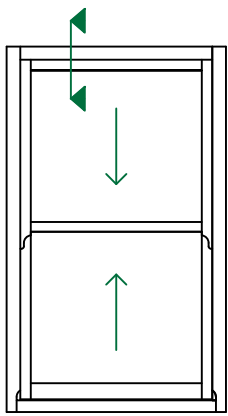


35

56 (varies min 56 / max 110mm)



18
20
18

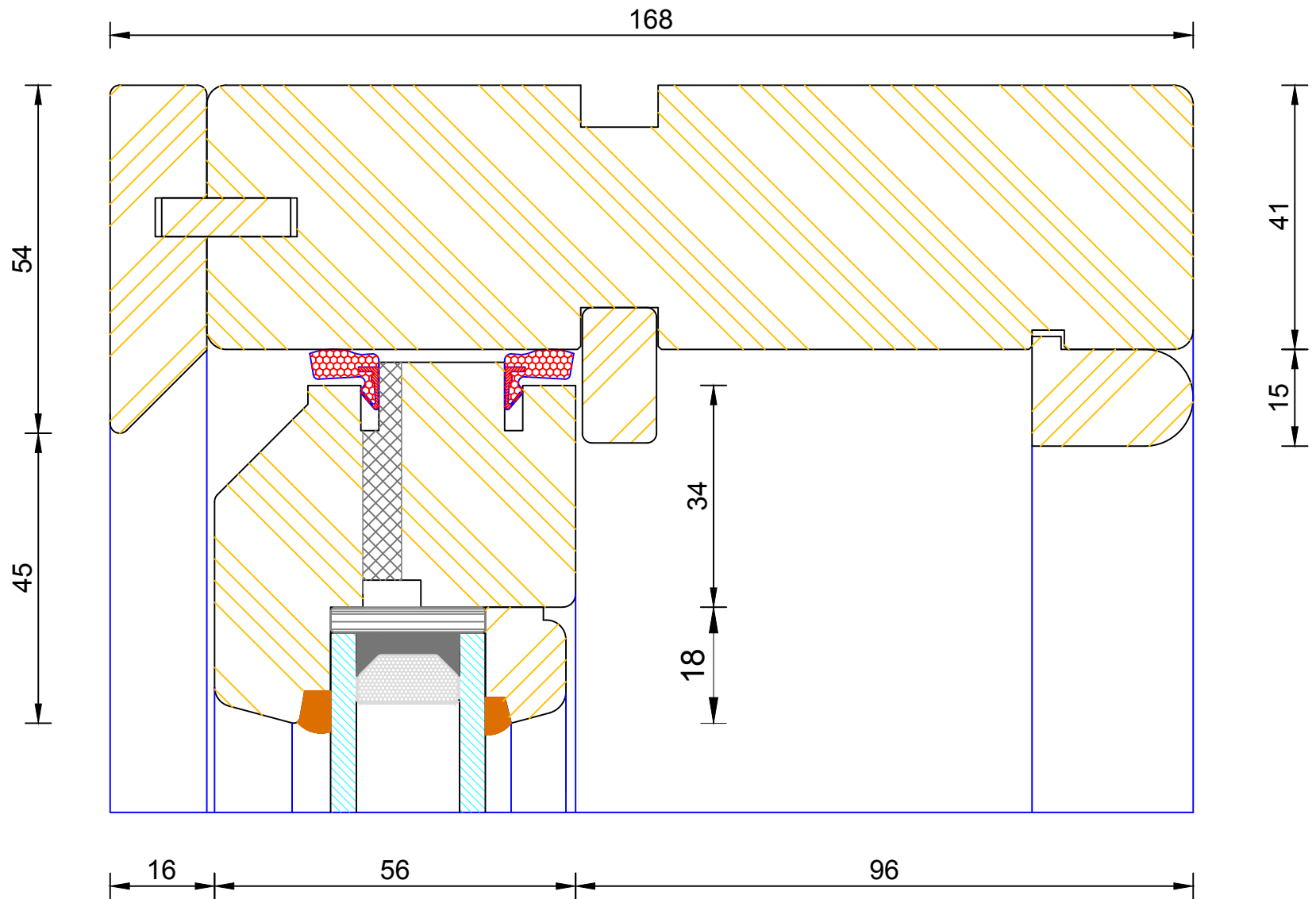
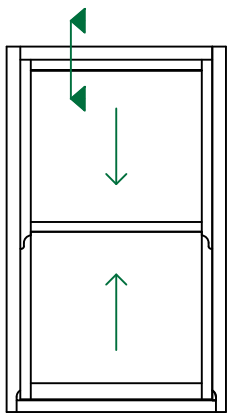


**Contemporary Sliding Sash Spiral Balance
Frame & Sash Head (With Vent)**


DIMENSIONS	PLOT SIZE	SCALE	DATE	REV	DWG NO.
MM	A4	1:1	13.01.2011	A	0403

Please consider the environment before printing

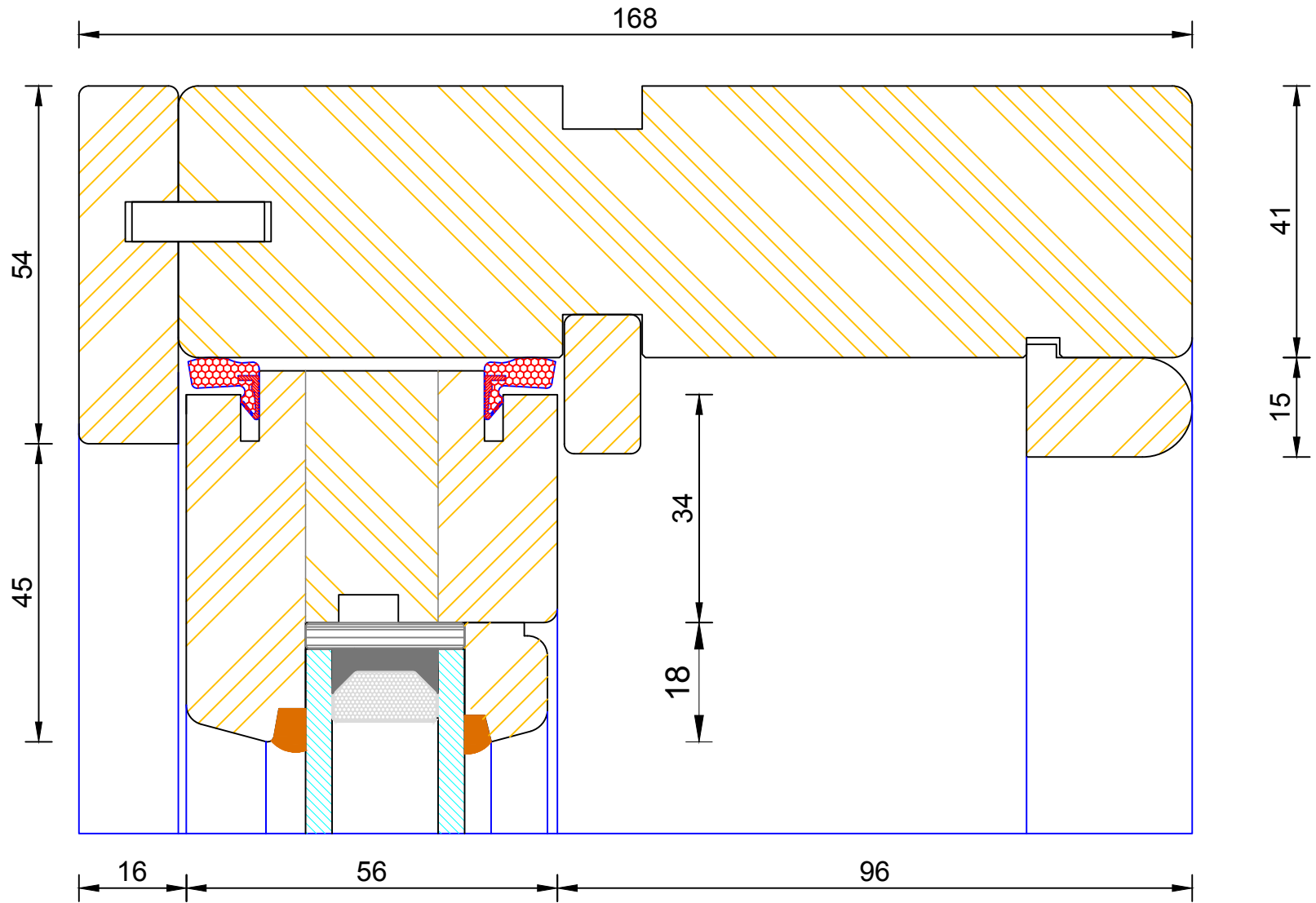
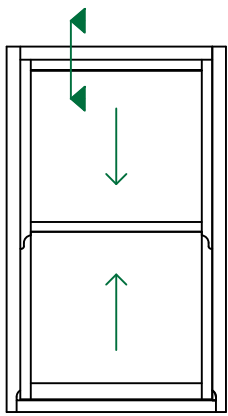
Note: Detail Used
1/ If order has vents specified



**Contemporary Sliding Sash Spiral Balance
Frame & Sash Head (Without Vent)**

DIMENSIONS	PLOT SIZE	SCALE	DATE	REV	DWG NO.
MM	A4	1:1	13.01.2011	A	0403.1
 Please consider the environment before printing					

Note: Detail Used
1/ If order has a mixture of windows with and without vents



Note: Detail Used
 1/ Windows with a curved head
 2/ Straight head without vent specified to all windows

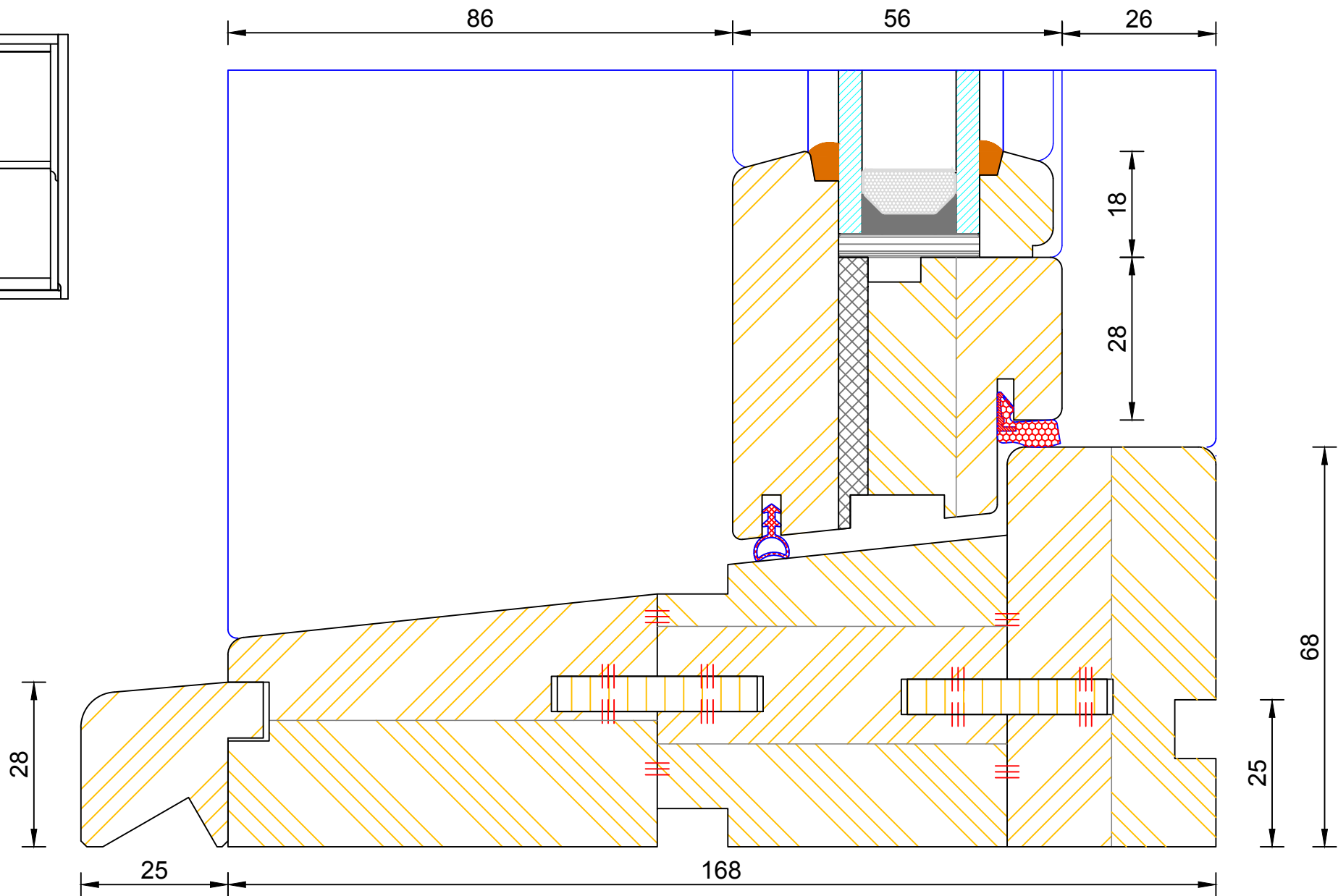
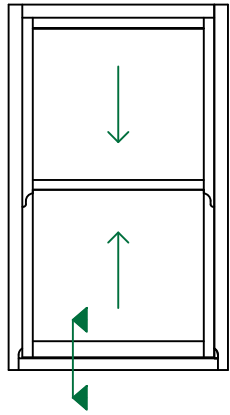
If order has a mixture with and without vents then all windows will have vent detail profile. See drawing number 0503 & 503.1



**Contemporary Sliding Sash Spiral Balance
 Frame & Sash Head**

DIMENSIONS	PLOT SIZE	SCALE	DATE	REV	DWG NO.
MM	A4	1:1	13.01.2011	A	0403.2

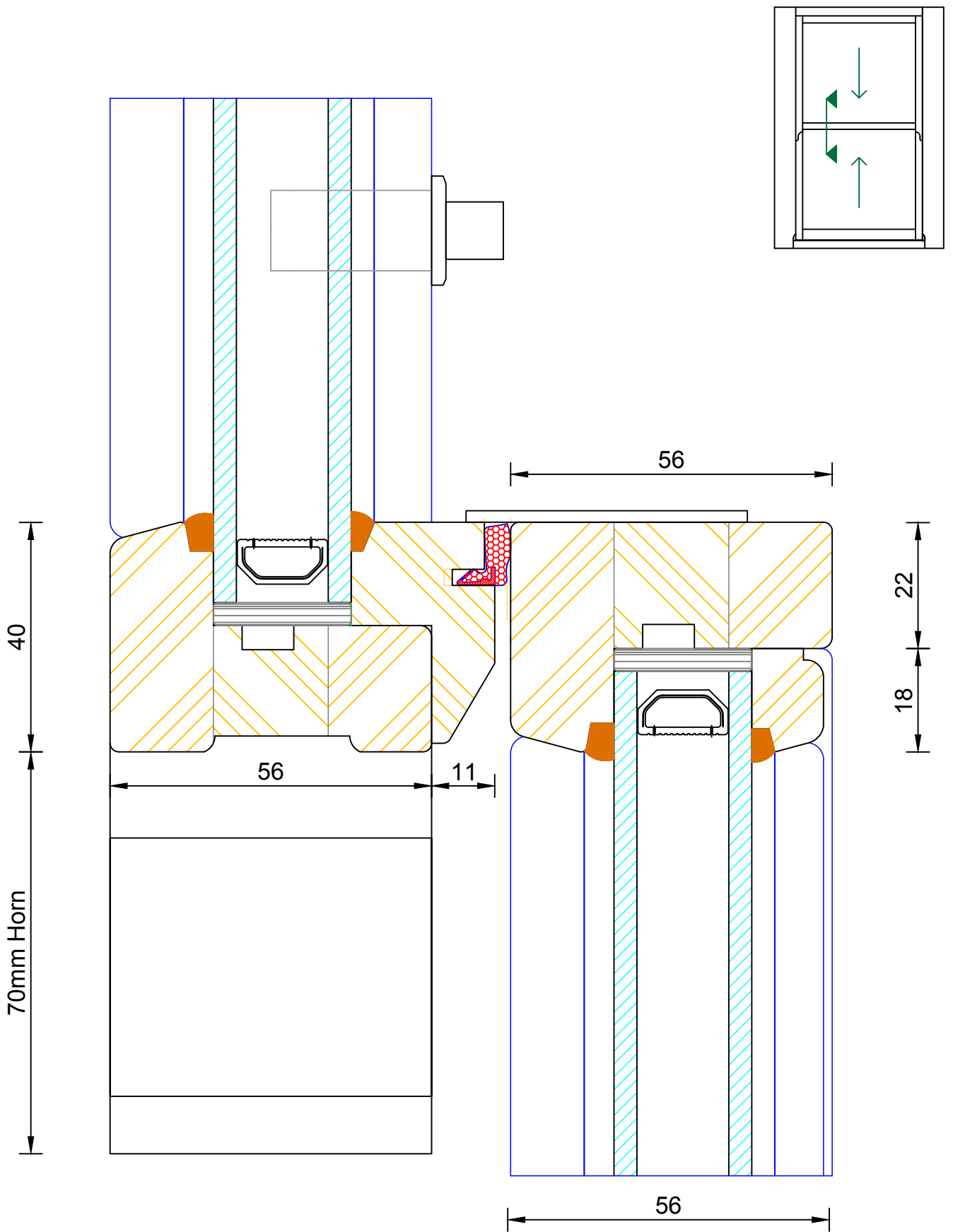
Please consider the environment before printing



**Contemporary Sliding Sash Spiral Balance
Frame & Sash Cill**

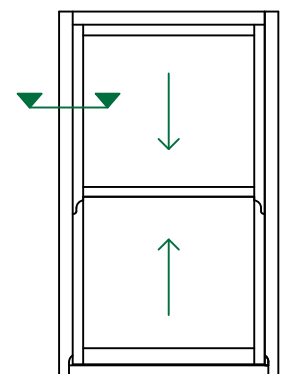
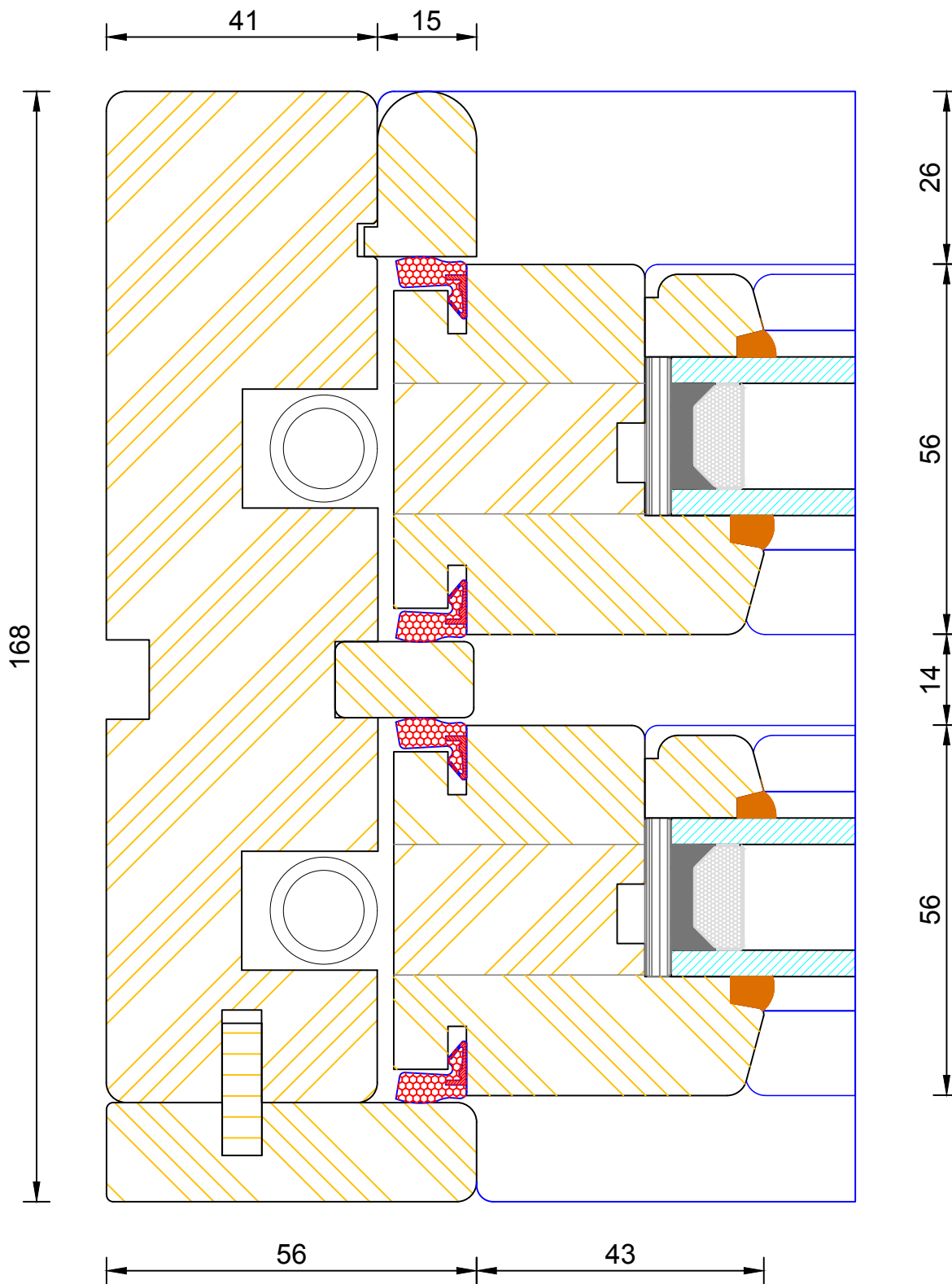
DIMENSIONS	PLOT SIZE	SCALE	DATE	REV	DWG NO.
MM	A4	1:1	13.01.2011	A	0404
Please consider the environment before printing					

CILL EXTENSION - available options:
 25mm (193mm o/a) / 47mm (215mm o/a) /
 62mm (230mm o/a) / 87mm (255mm o/a) /
 100mm (268mm o/a) / 114mm (282mm o/a) /
 140mm (308mm o/a)



Contemporary Sliding Sash Spiral Balance Meeting Rail

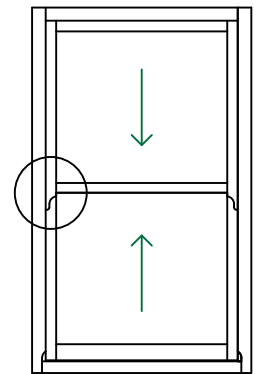
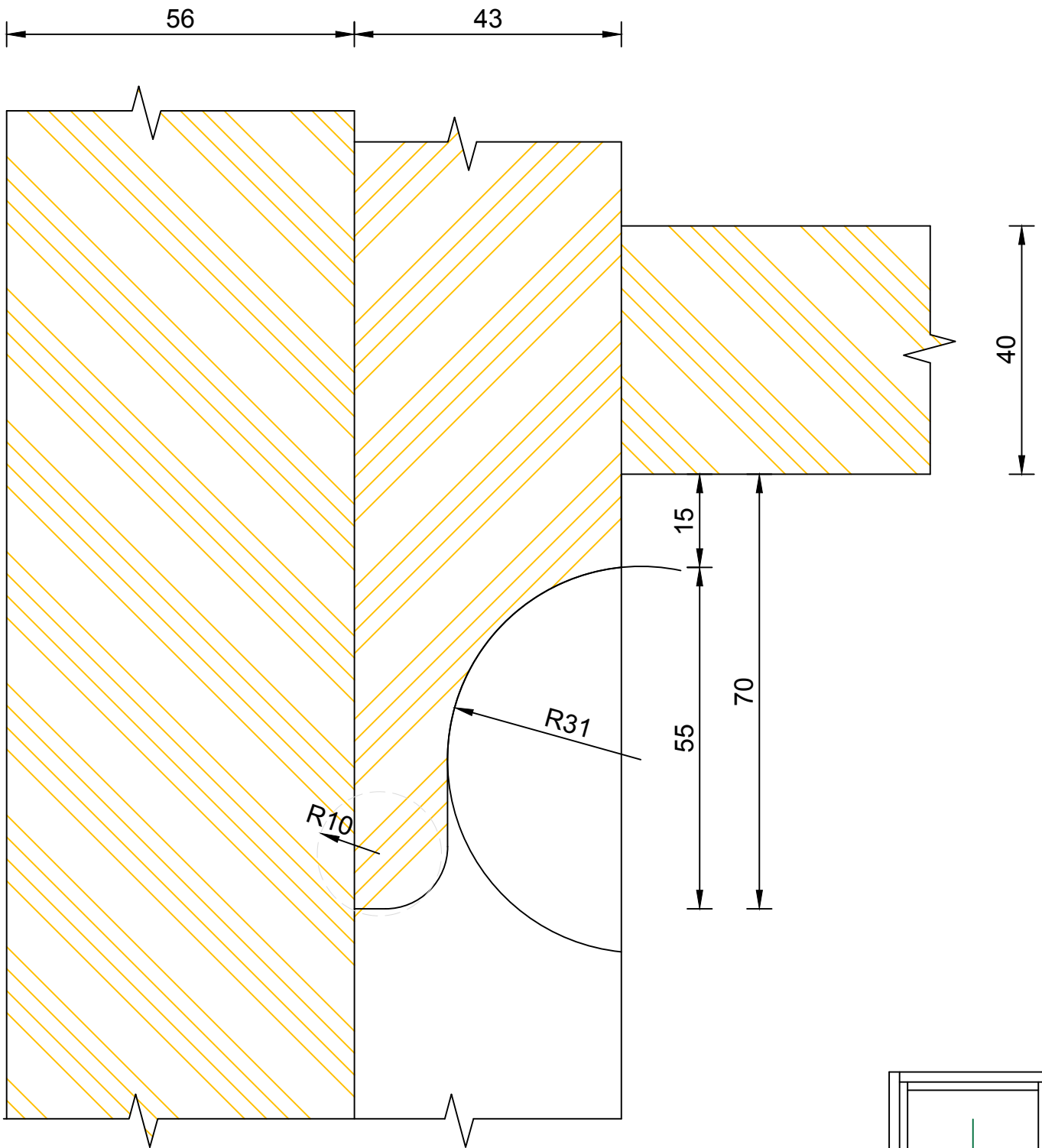
DIMENSIONS	PLOT SIZE	SCALE	DATE	REV	DWG NO.
MM	A4	1:1	10.03.2011	A	0405
Please consider the environment before printing					



**Contemporary Sliding Sash Spiral Balance
Frame & Sash Jamb (Standard Inline)**

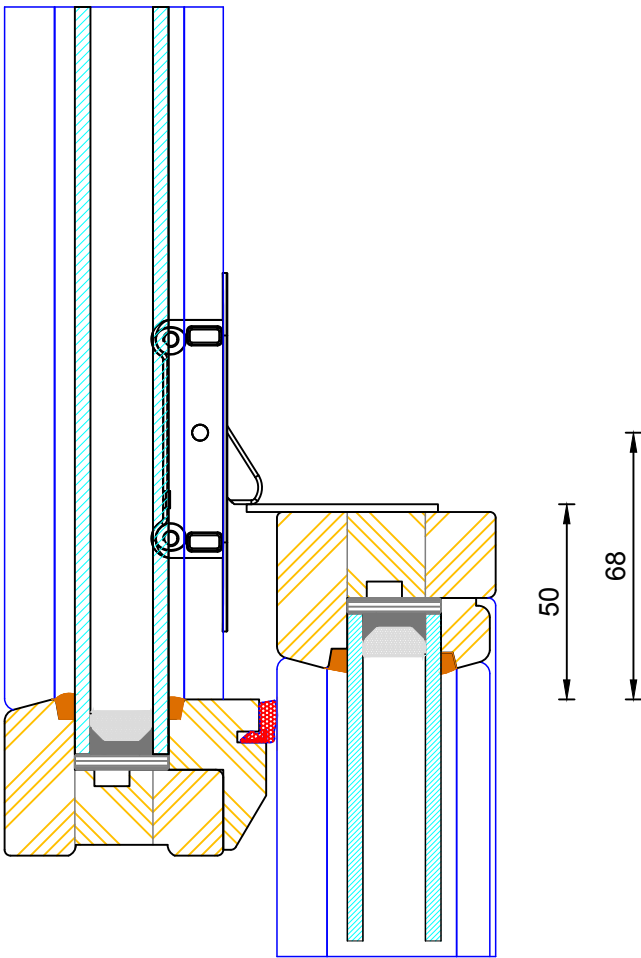
DIMENSIONS	PLOT SIZE	SCALE	DATE	REV	DWG NO.
MM	A4	1:1	13.01.2011	A	0406.1

Please consider the environment before printing

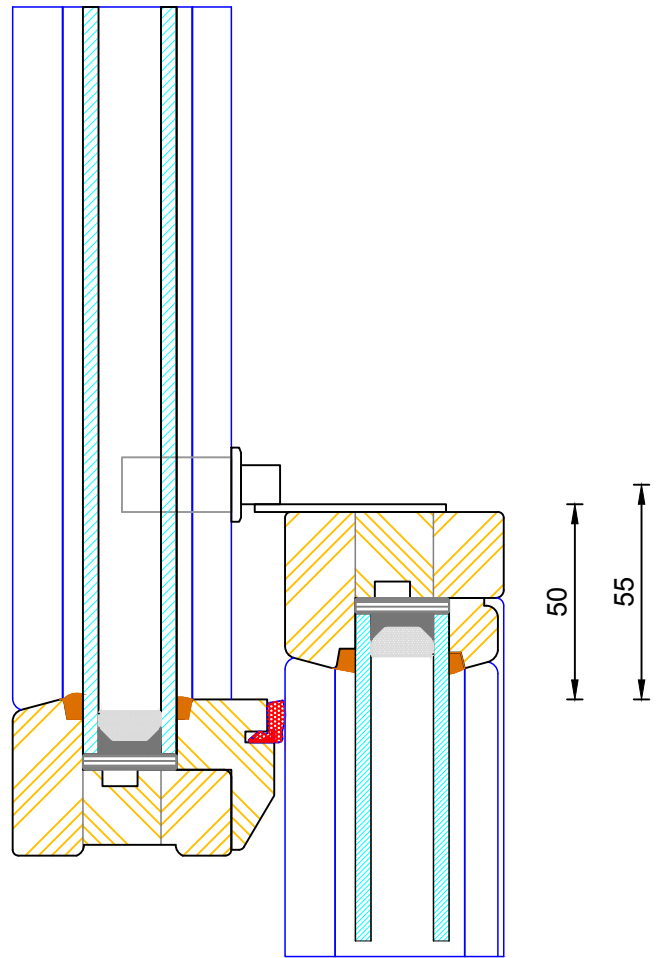


**Contemporary Sliding Sash Spiral Balance
Horn**

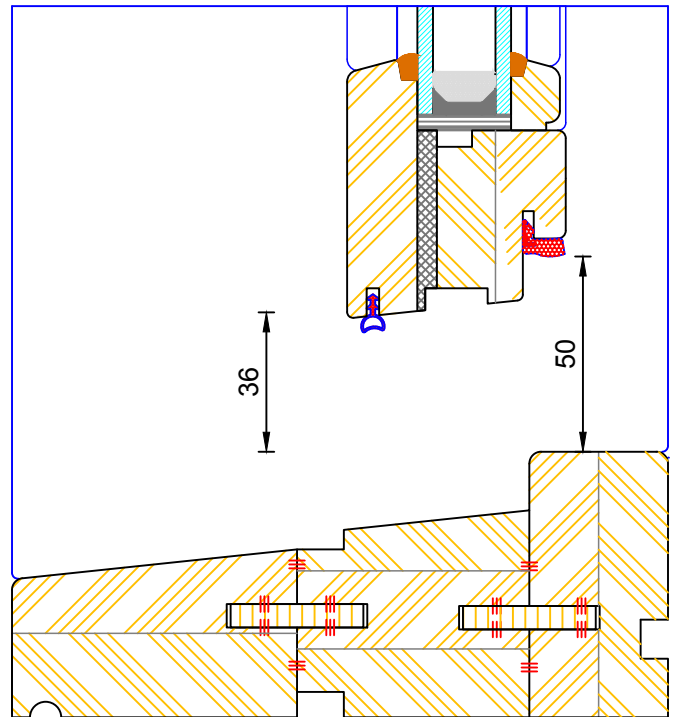
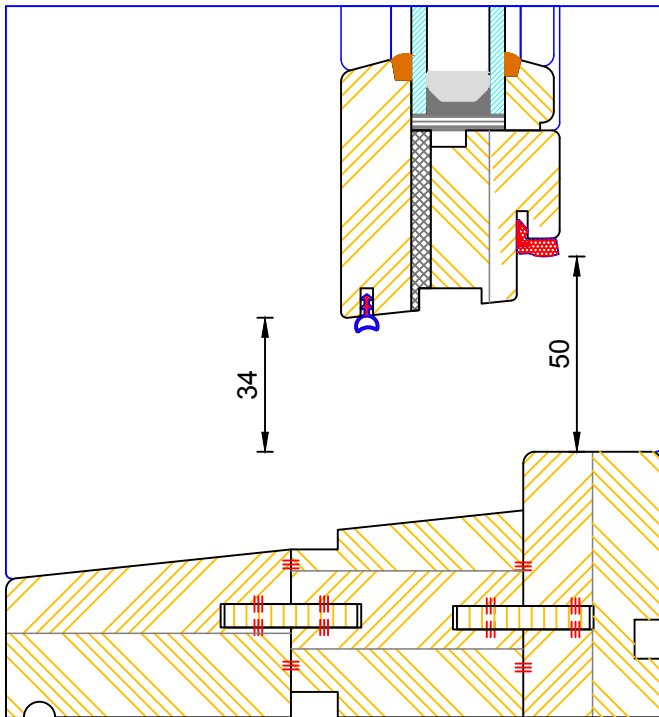
DIMENSIONS	PLOT SIZE	SCALE	DATE	REV	DWG NO.
MM	A4	1:1	13.01.2011	A	0419
Please consider the environment before printing					

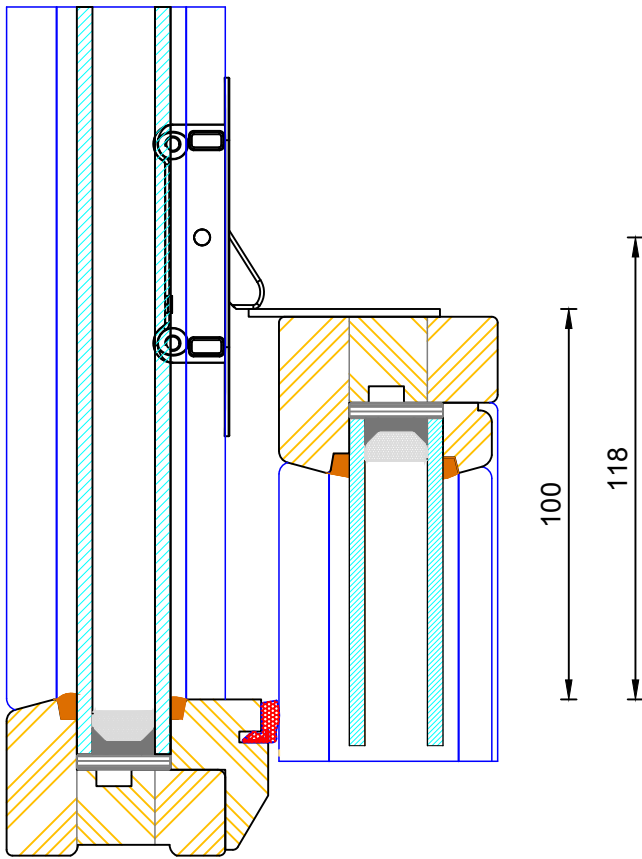


ANGEL LOCK

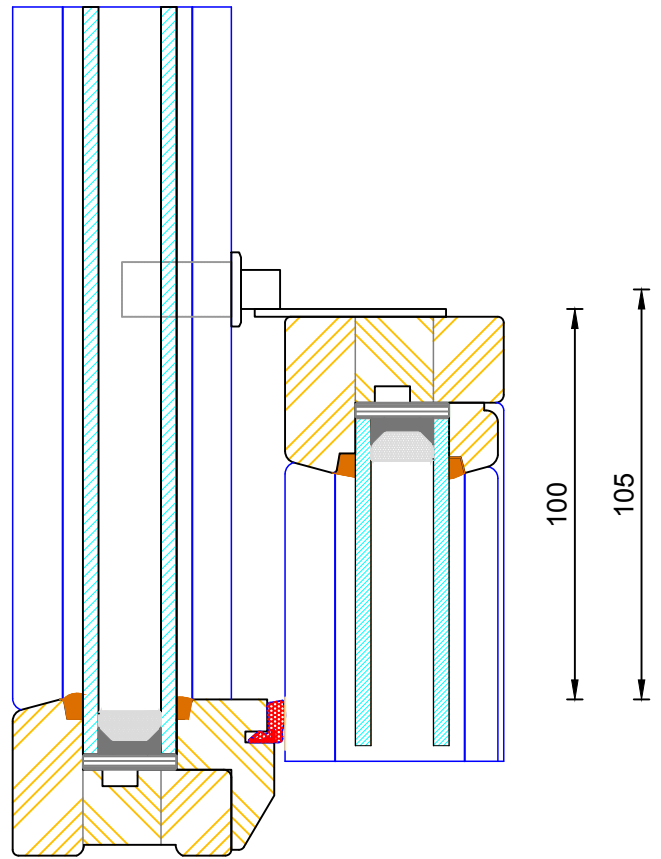


VENT LOCK





ANGEL LOCK



VENT LOCK

