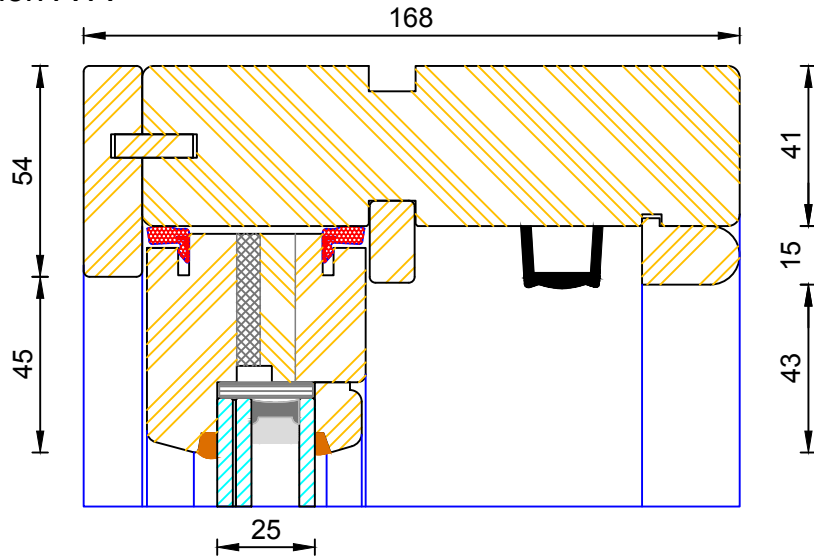
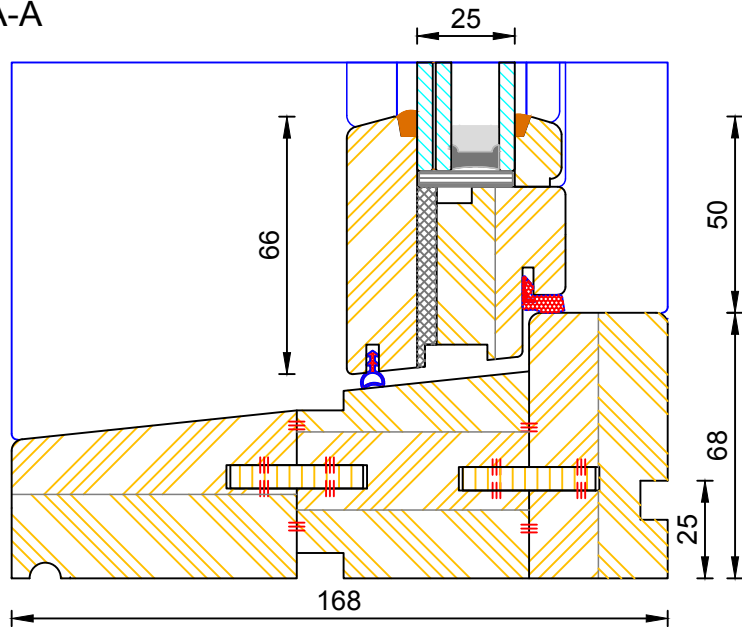


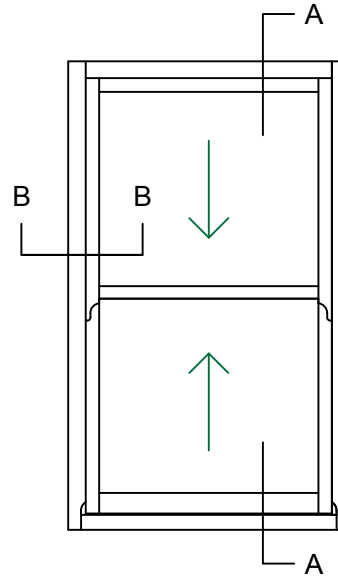
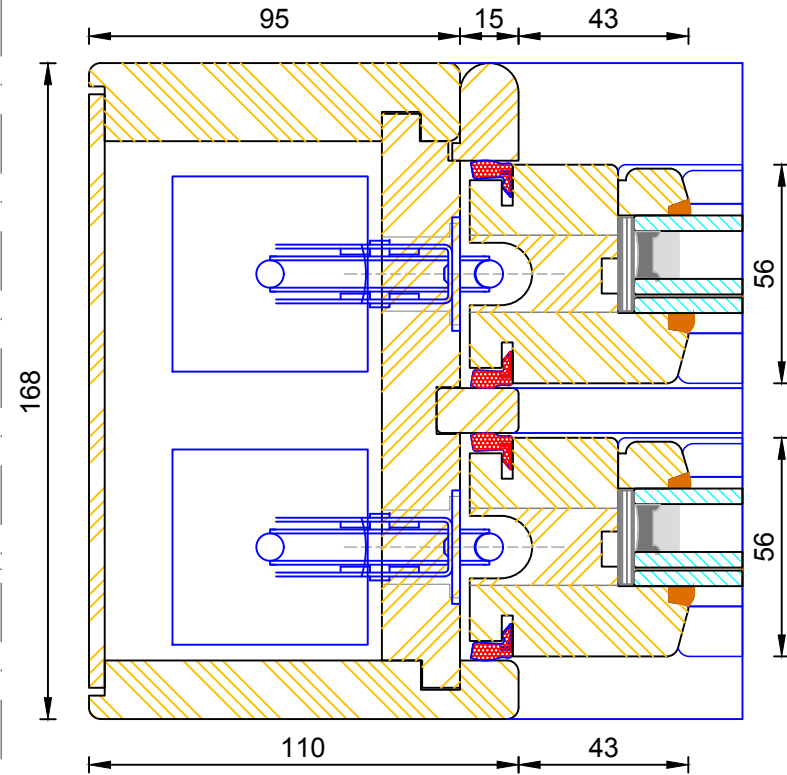
Section A-A



Section A-A



Section B-B



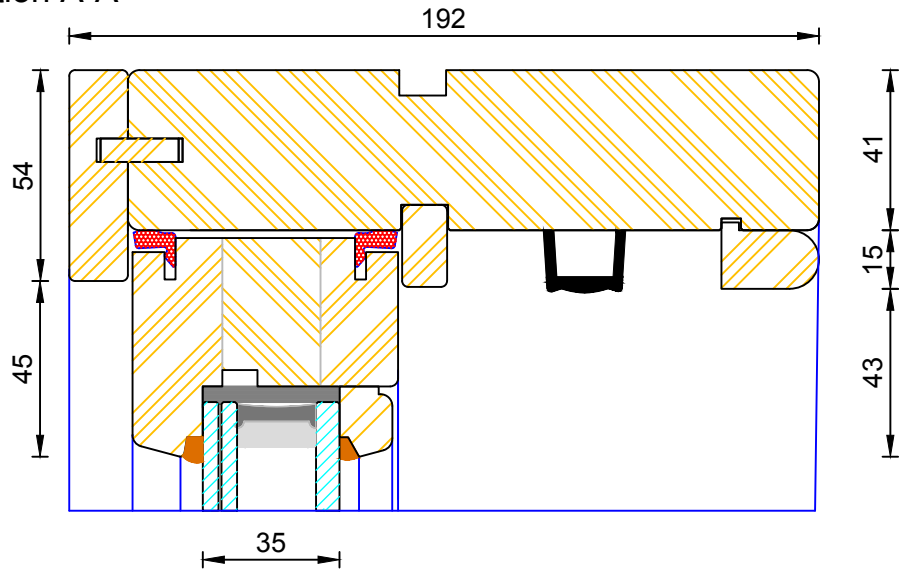
Typical sections showing acoustic glass - 8.8Aku/12ar/4T (39 dB)  
 For full sectional details please refer to our standard double glazed sections



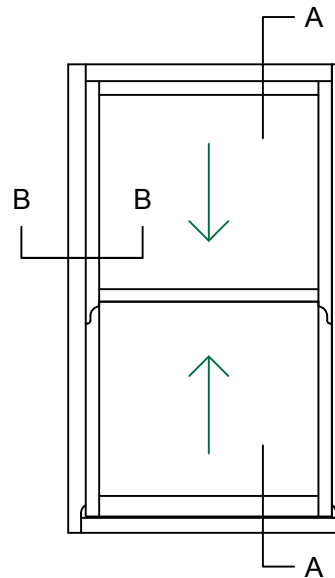
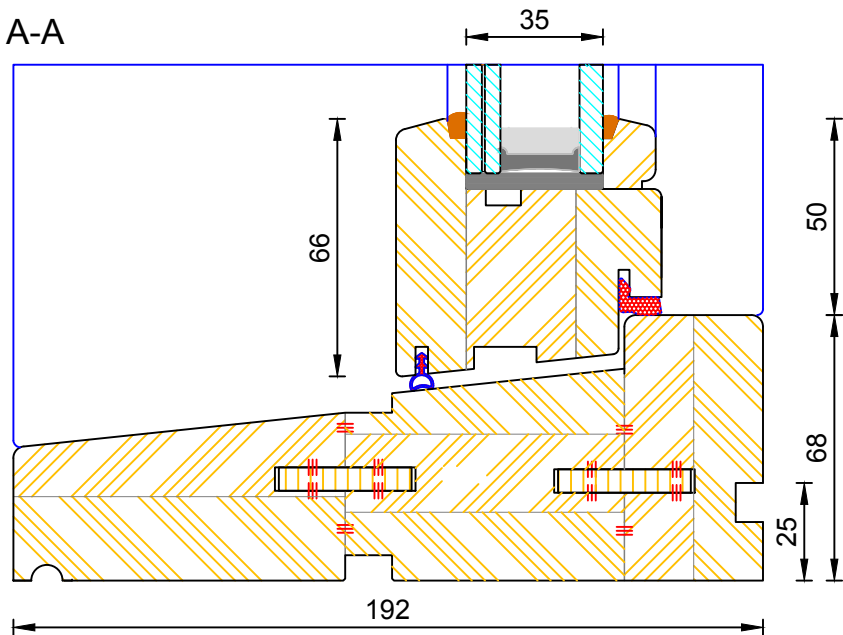
Contemporary Sliding Sash Cords & weights  
 Frame & Sash Sections - Acoustic Rating **38dB**

DIMENSIONS	PLOT SIZE	SCALE	DATE	REV	DWG NO.
MM	A2	1:1	18.10.2016	A	<b>0550</b>
Please consider the environment before printing					

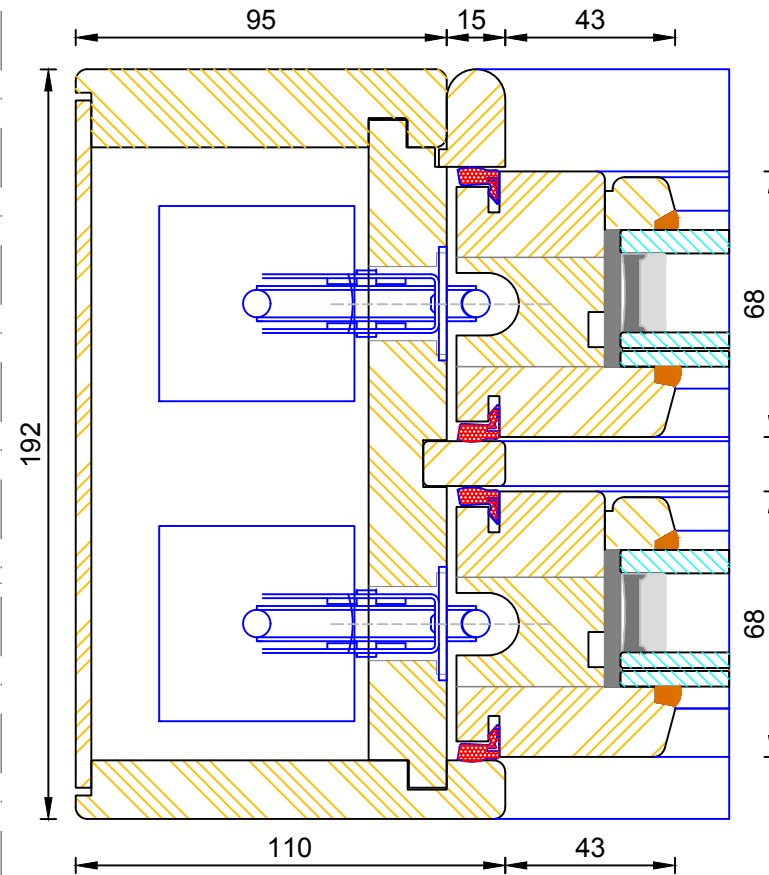
Section A-A



Section A-A



Section B-B



Typical sections showing acoustic glass - 8.8Aku/16ar/6T (42 dB)  
For full sectional details please refer to our standard double glazed sections



Contemporary Sliding Sash Cords & weights  
Frame & Sash Sections - Acoustic Rating 41dB

DIMENSIONS	PLOT SIZE	SCALE	DATE	REV	DWG NO.
MM	A2	1:1	18.10.2016	A	<b>0551</b>
Please consider the environment before printing					