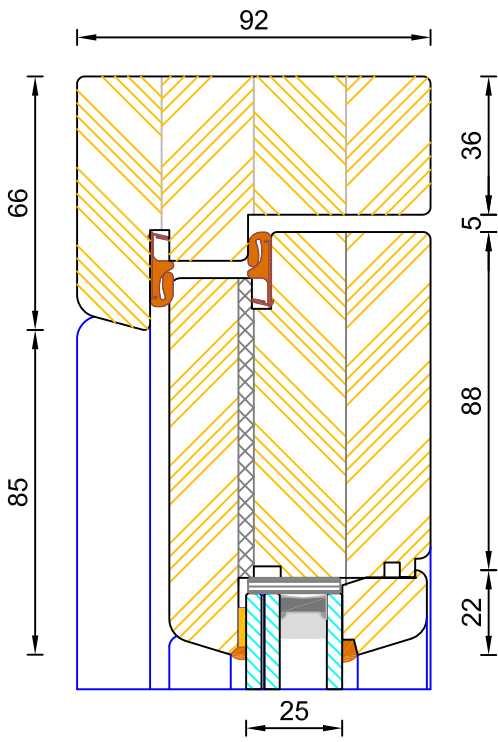
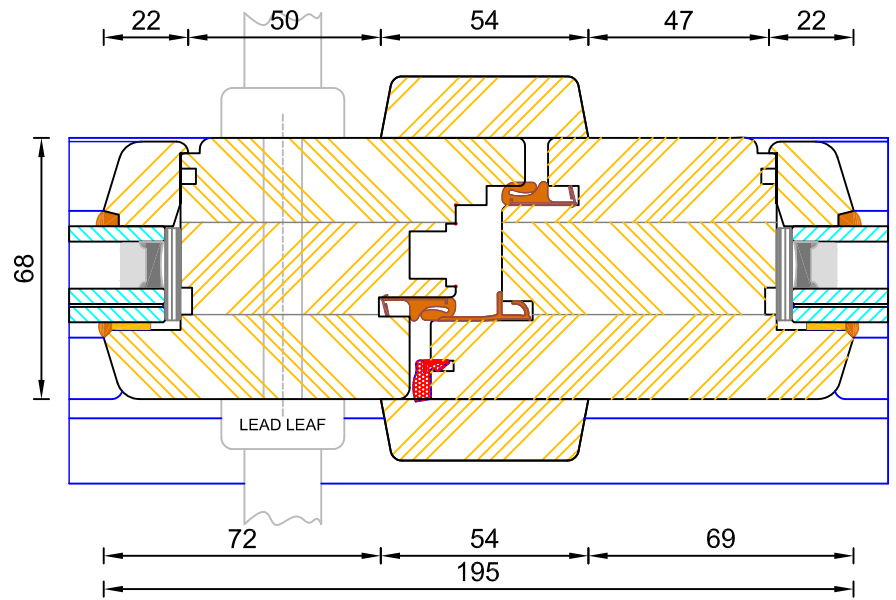


### Section A-A

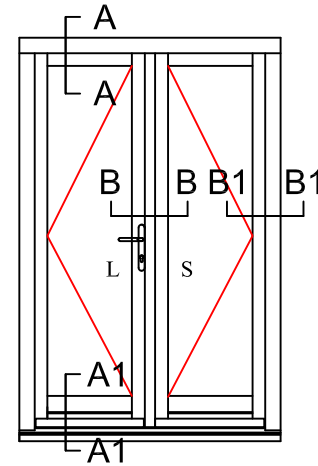
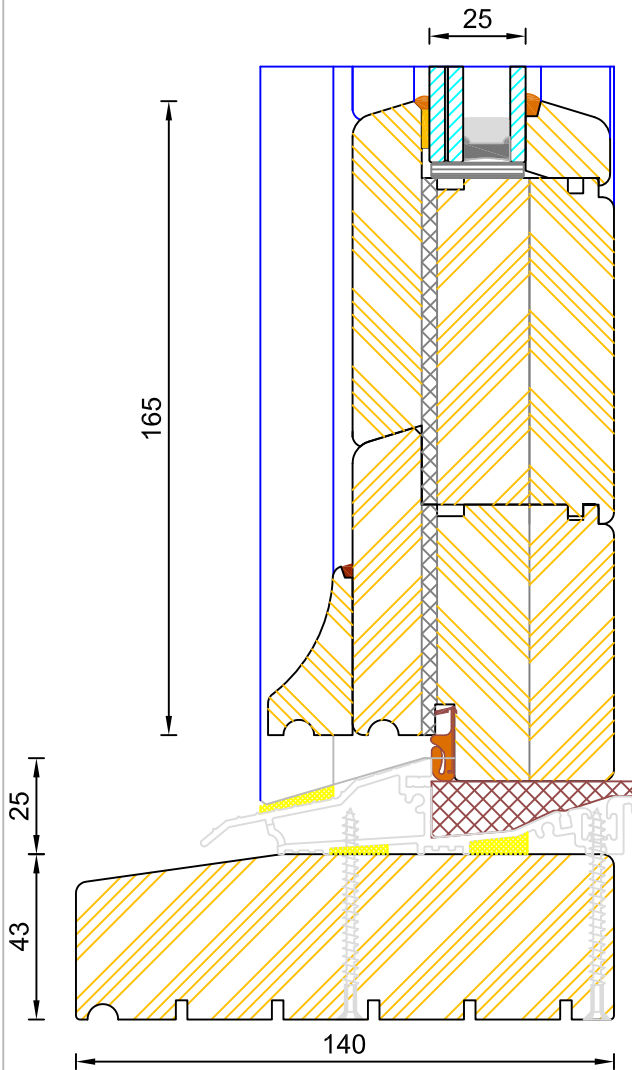


### Section B-B

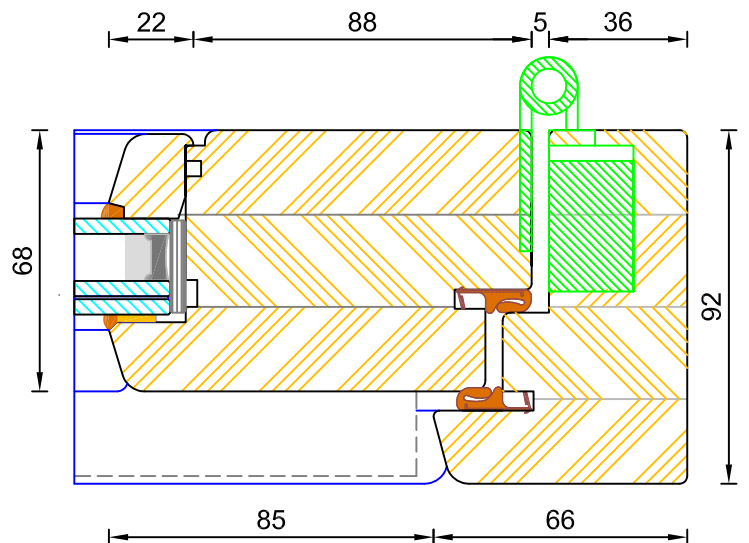


Note: Flying mullion detail used as standard on doors <2300mm high unless otherwise specified. For full sectional details please refer to our standard double glazed sections

### Section A1-A1

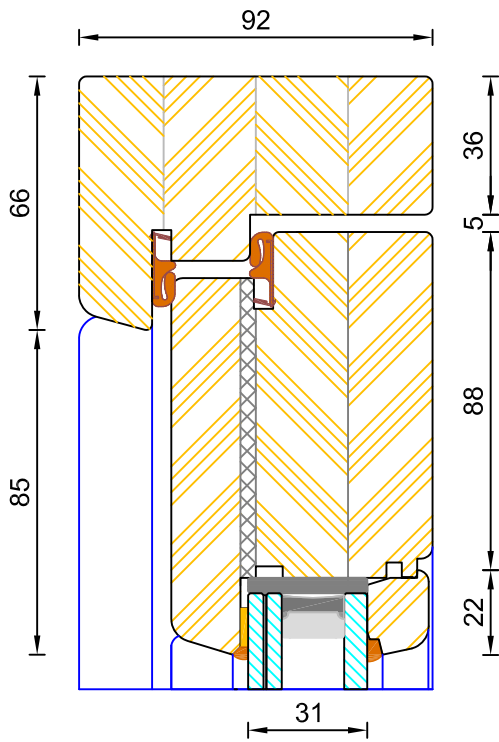


### Section B1-B1

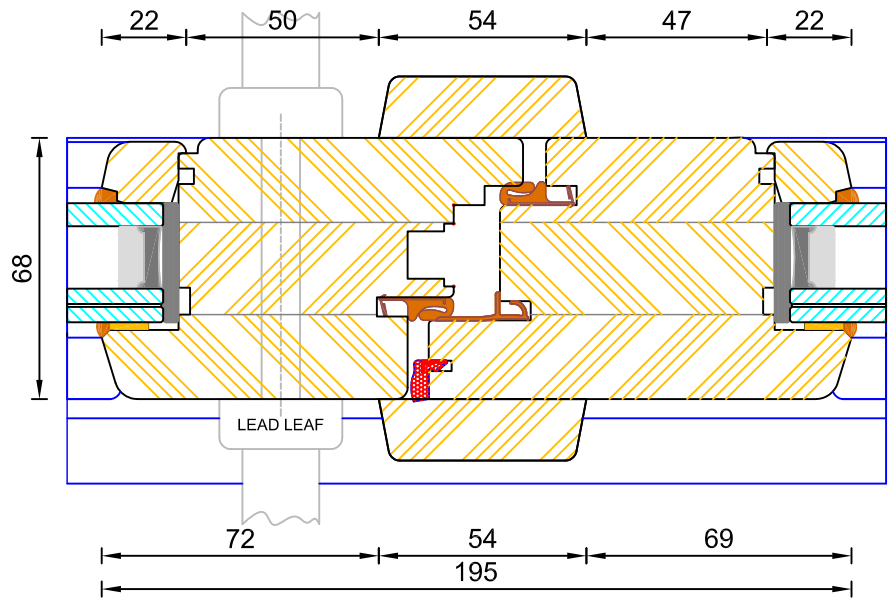


Typical sections showing acoustic glass - 8.8Aku/12ar/4ESGT (39 dB)  
For full sectional details please refer to our standard double glazed sections

Section A-A

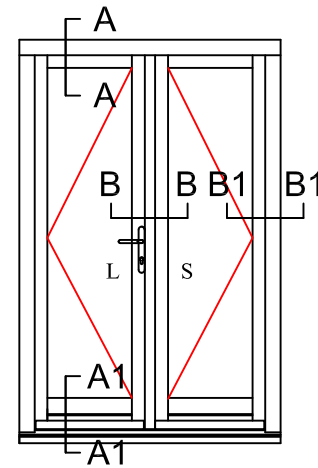
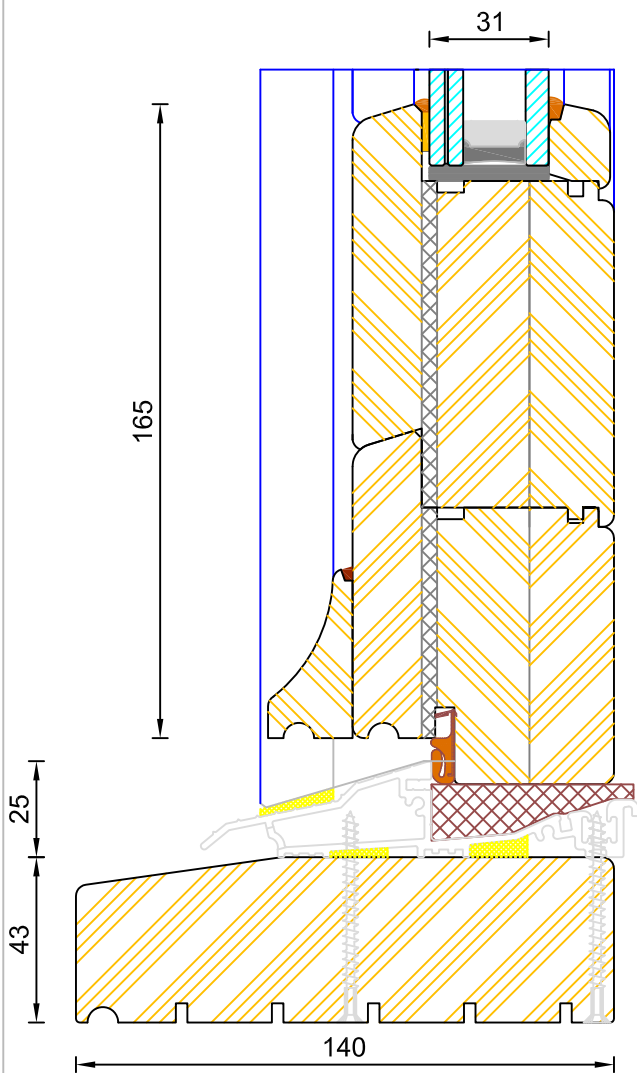


Section B-B

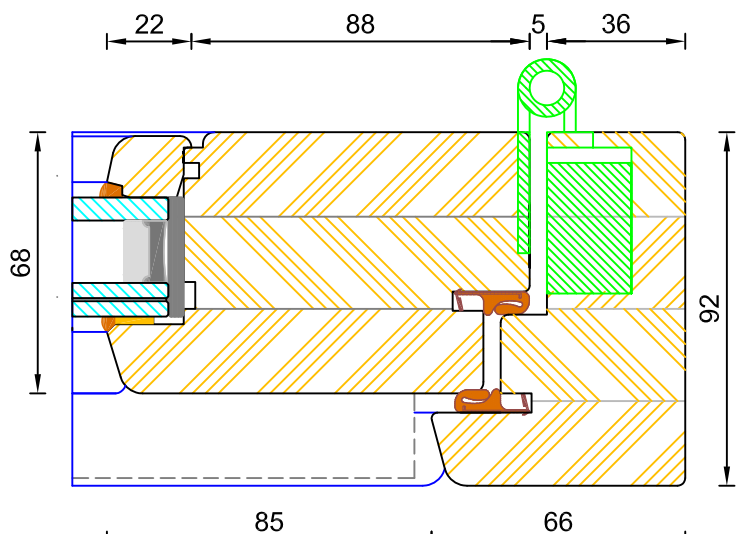


Note: Flying mullion detail used as standard on doors <2300mm high unless otherwise specified. For full sectional details please refer to our standard double glazed sections

Section A1-A1



Section B1-B1



Typical sections showing acoustic glass - 8.8Aku/16ar/6ESGT (42 dB)  
For full sectional details please refer to our standard double glazed sections



Contemporary Open In French Door  
Frame & Leaf Sections - Acoustic Rating 41dB

DIMENSIONS	PLOT SIZE	SCALE	DATE	REV	DWG NO.
MM	A2	1:1	25.10.2016	A	0681
Please consider the environment before printing					