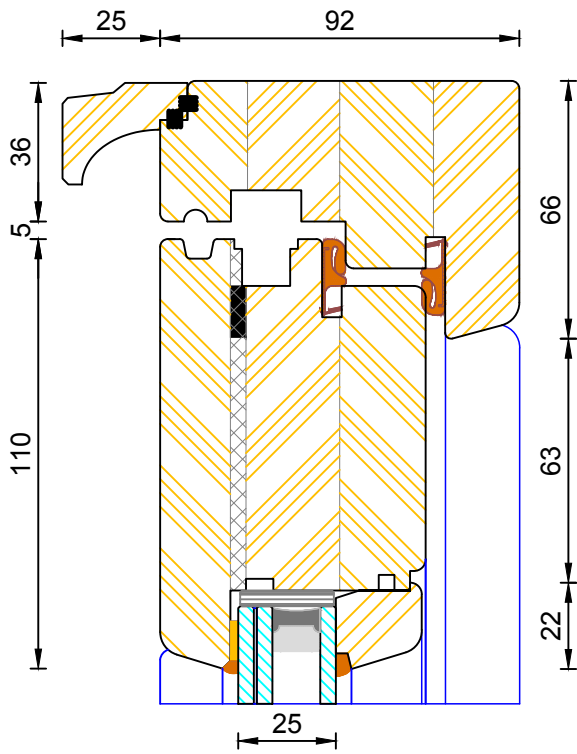
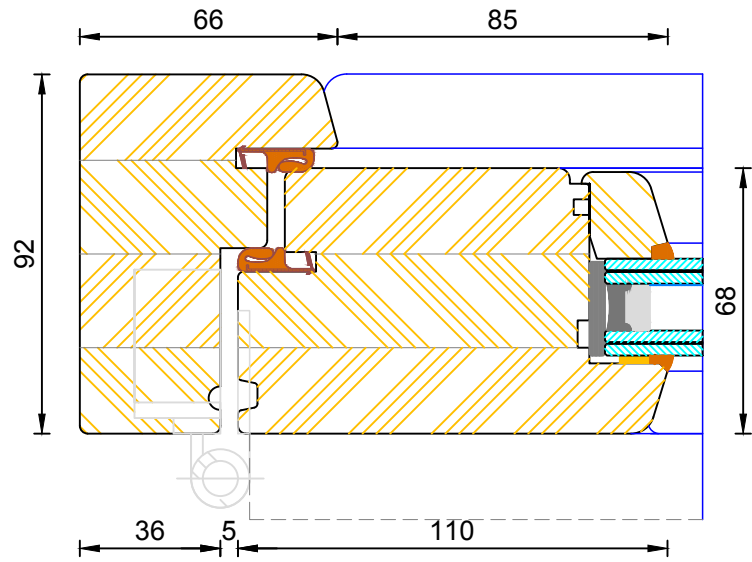


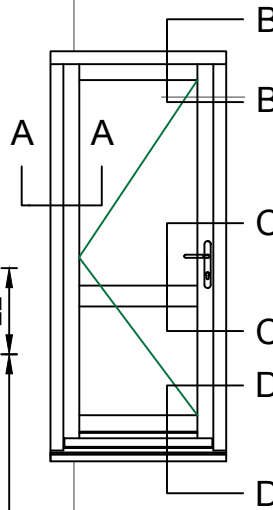
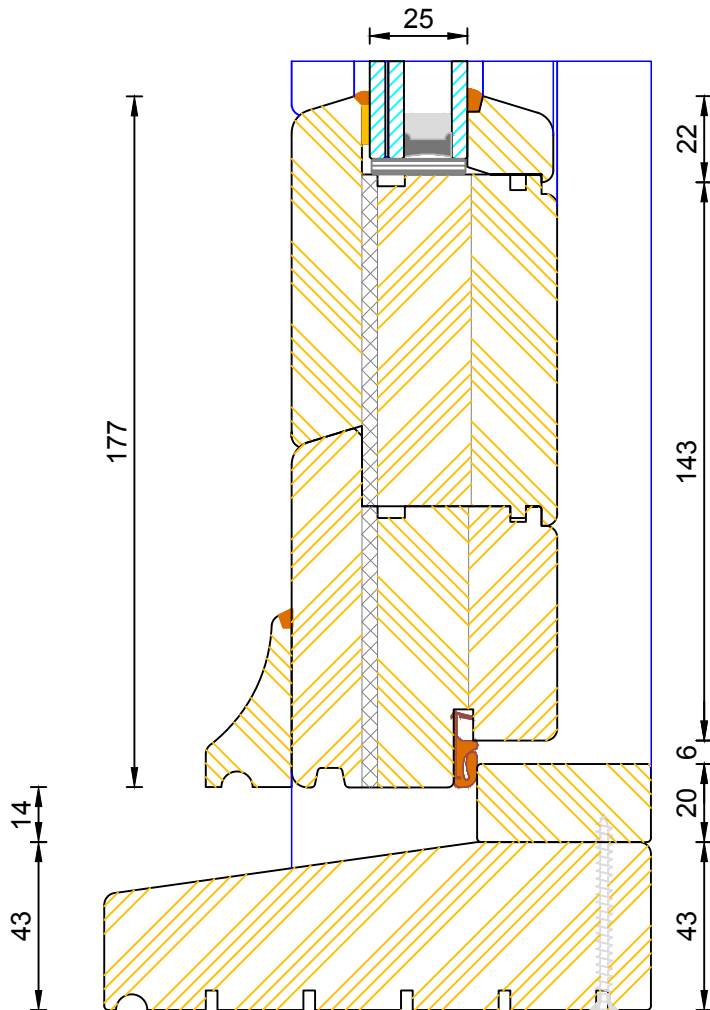
Section B-B



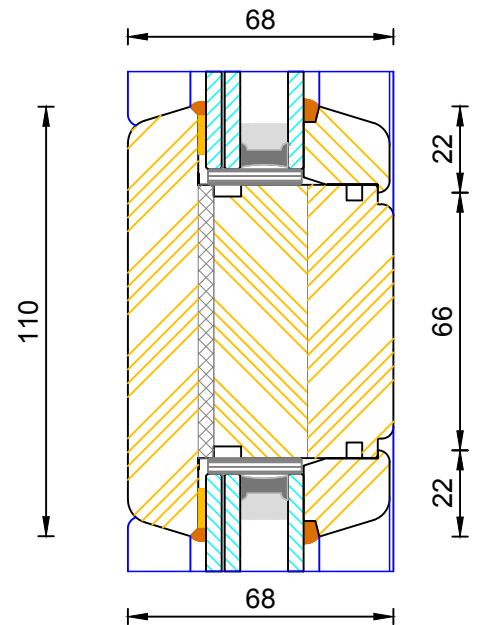
Section A-A



Section D-D



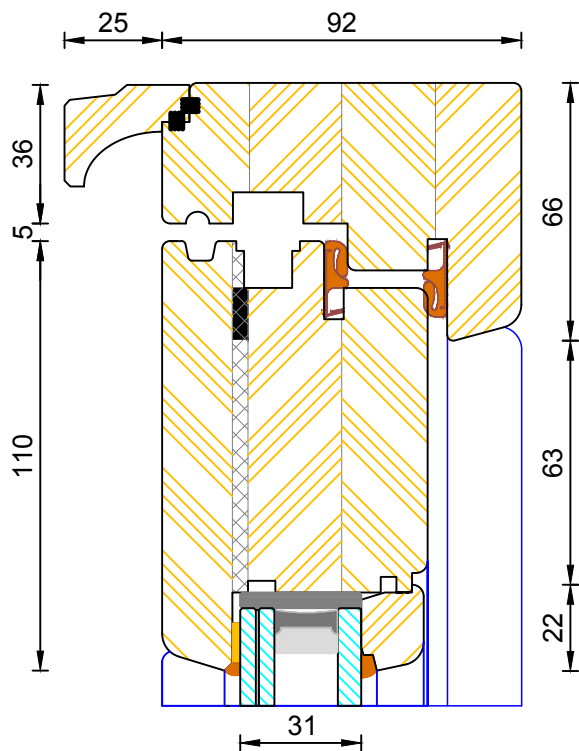
Section C-C



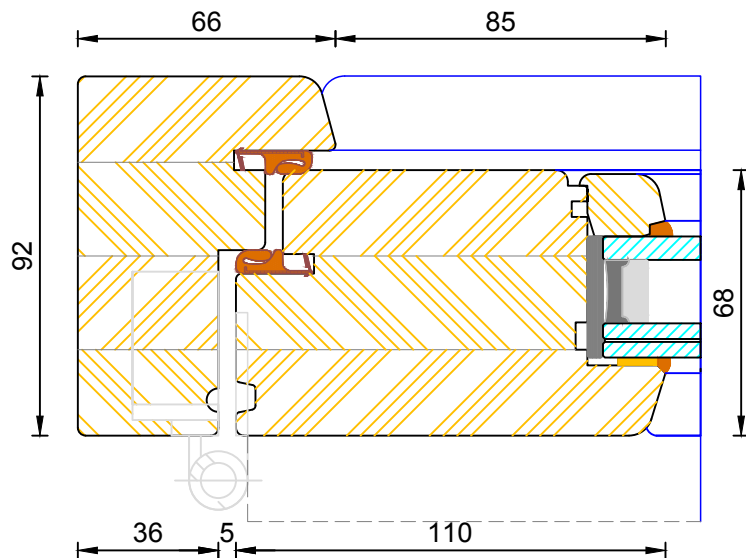
Typical sections showing acoustic glass -
8.8Aku/12ar/4ESGT (39 dB)

For full sectional details please refer to our standard
double glazed sections

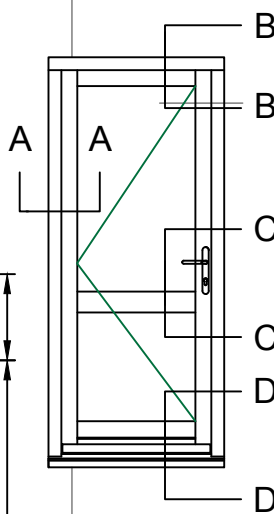
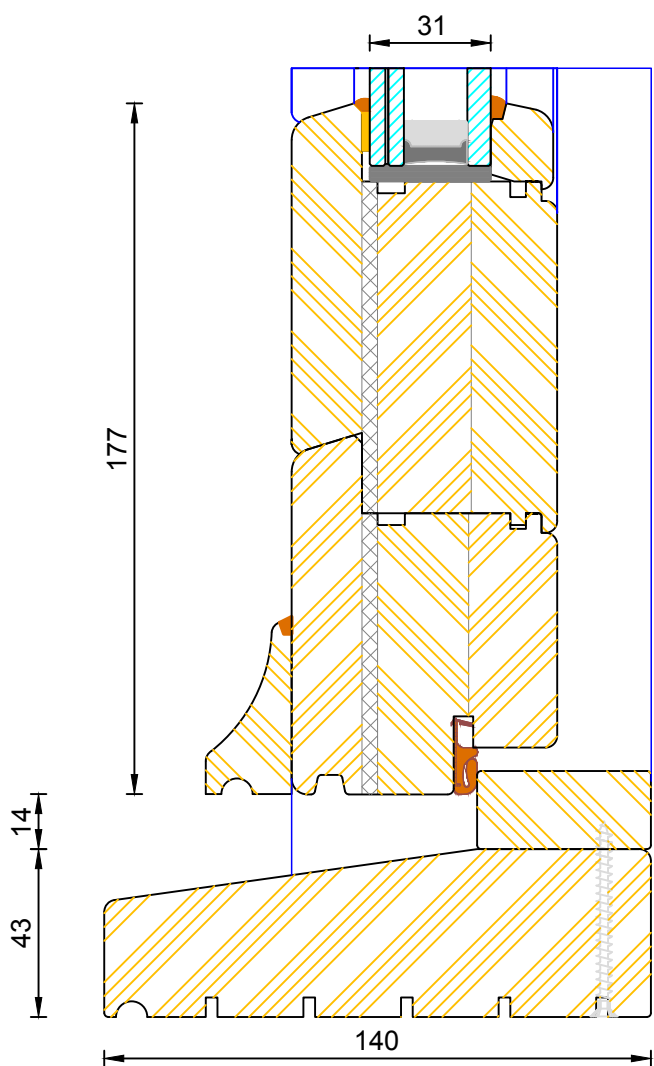
Section B-B



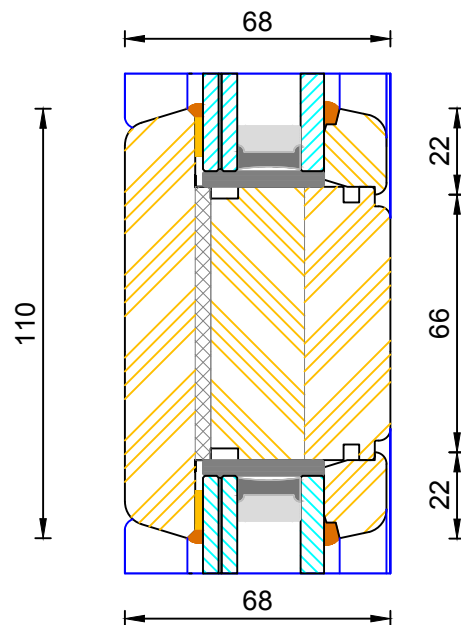
Section A-A



Section D-D



Section C-C



Typical sections showing acoustic glass -
8.8Aku/16ar/6ESGT (42 dB)

For full sectional details please refer to our standard
double glazed sections