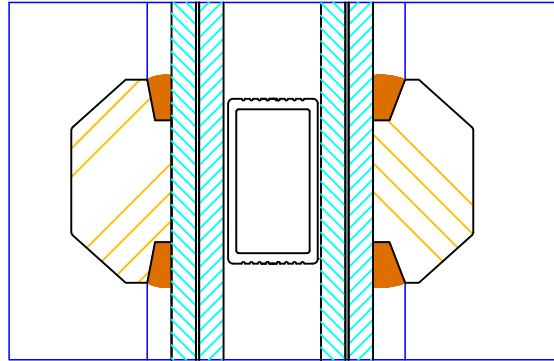
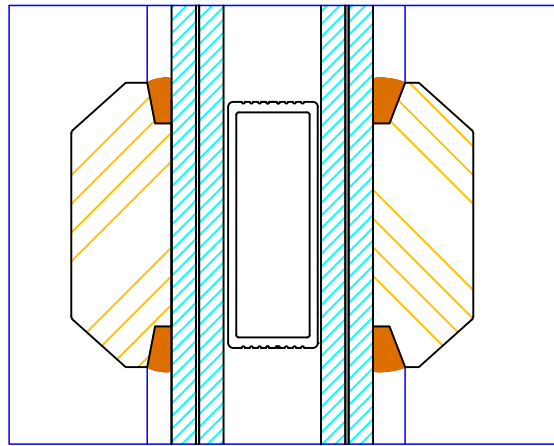


16

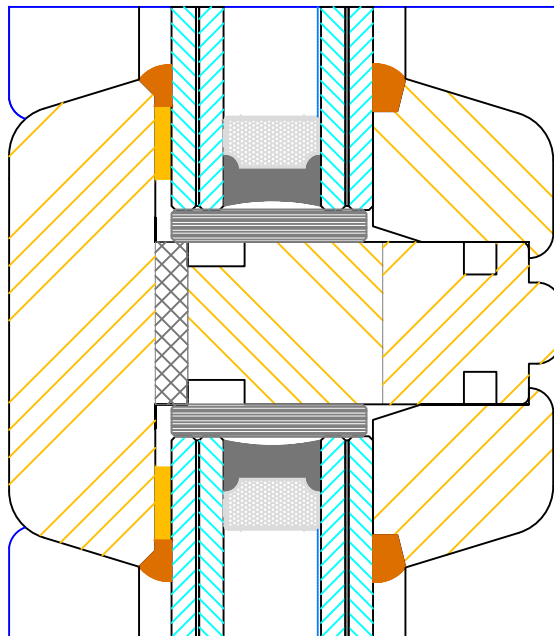


25



35

60 (varies min 60/ max 137mm)



22
16
22

68

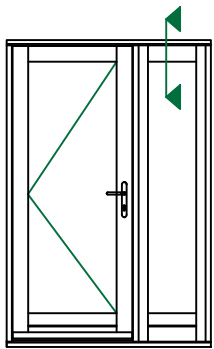
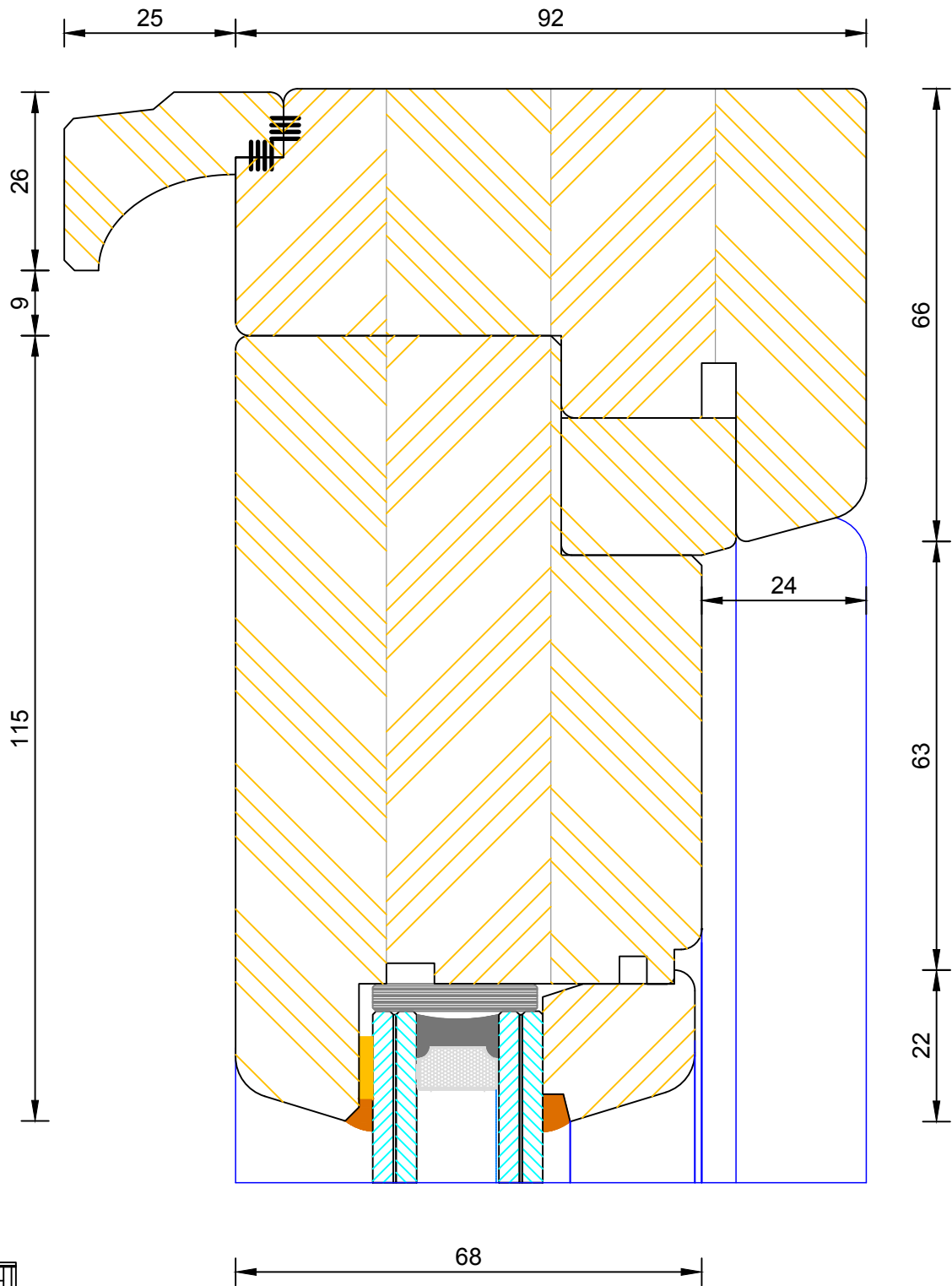


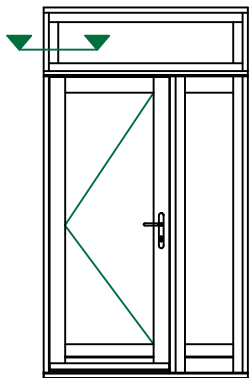
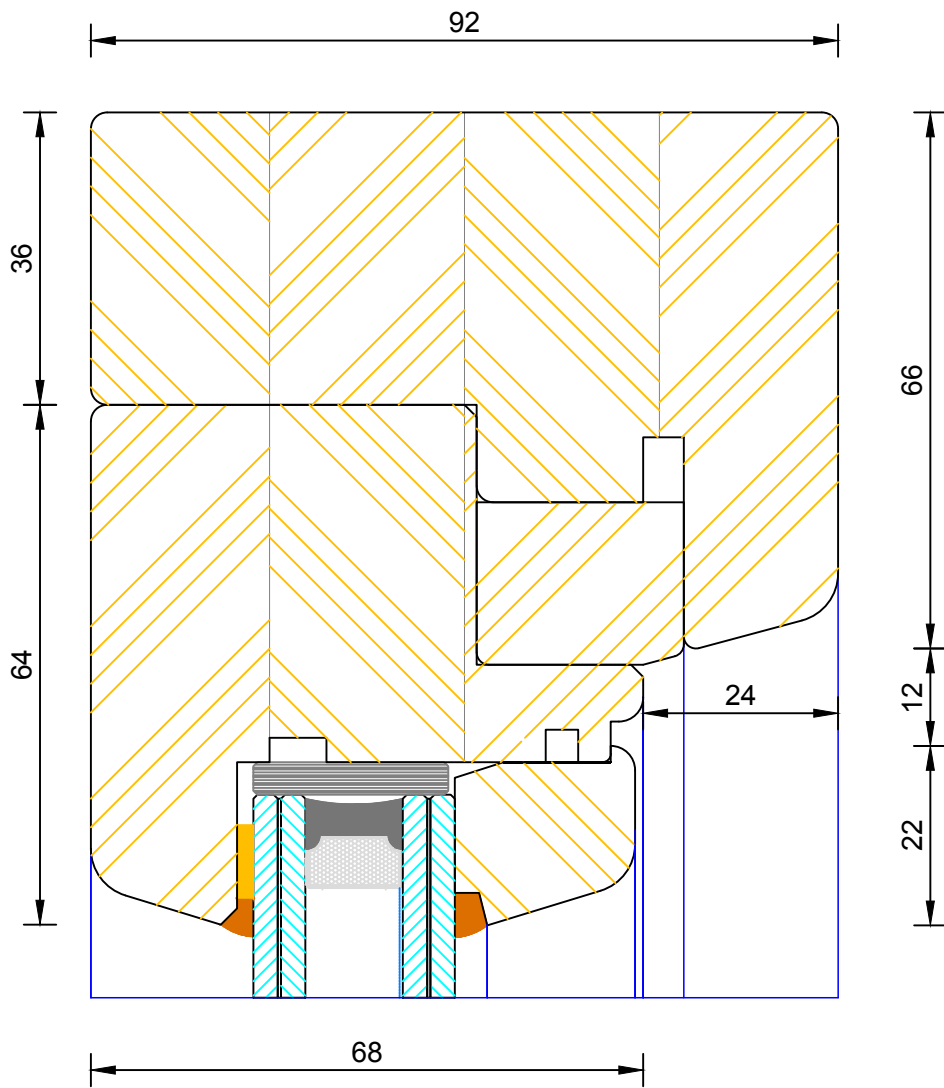
Bereco

**Contemporary Open Out Flush Entrance Door
Bar Options**

DIMENSIONS	PLOT SIZE	SCALE	DATE	REV	DWG NO.
MM	A4	1:1	08.12.2010	A	1002

Please consider the environment before printing

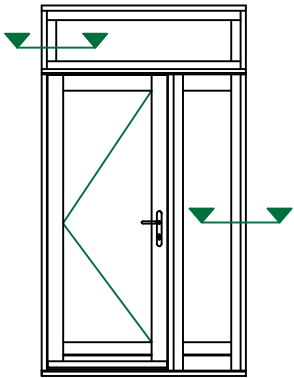
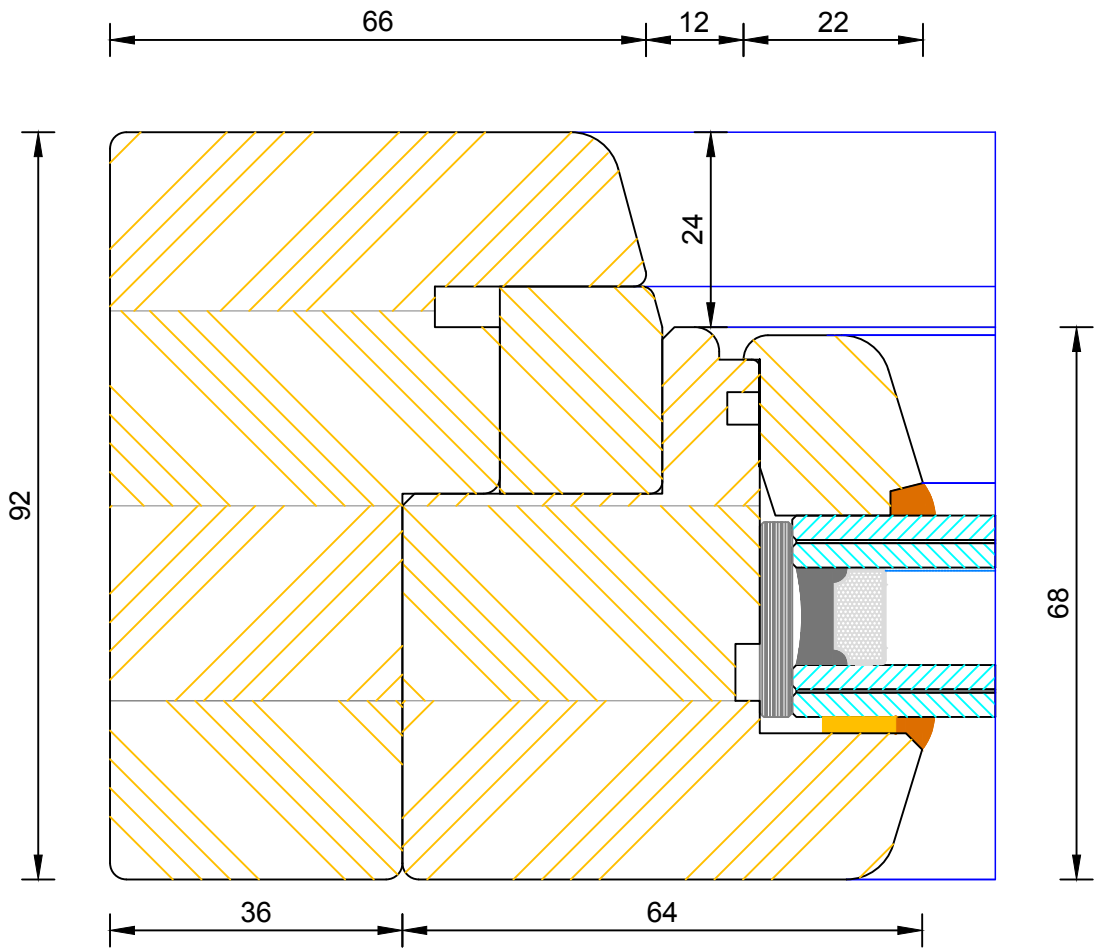




**Contemporary Open Out Flush Entrance Door
Fanlight Jamb**

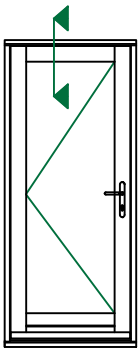
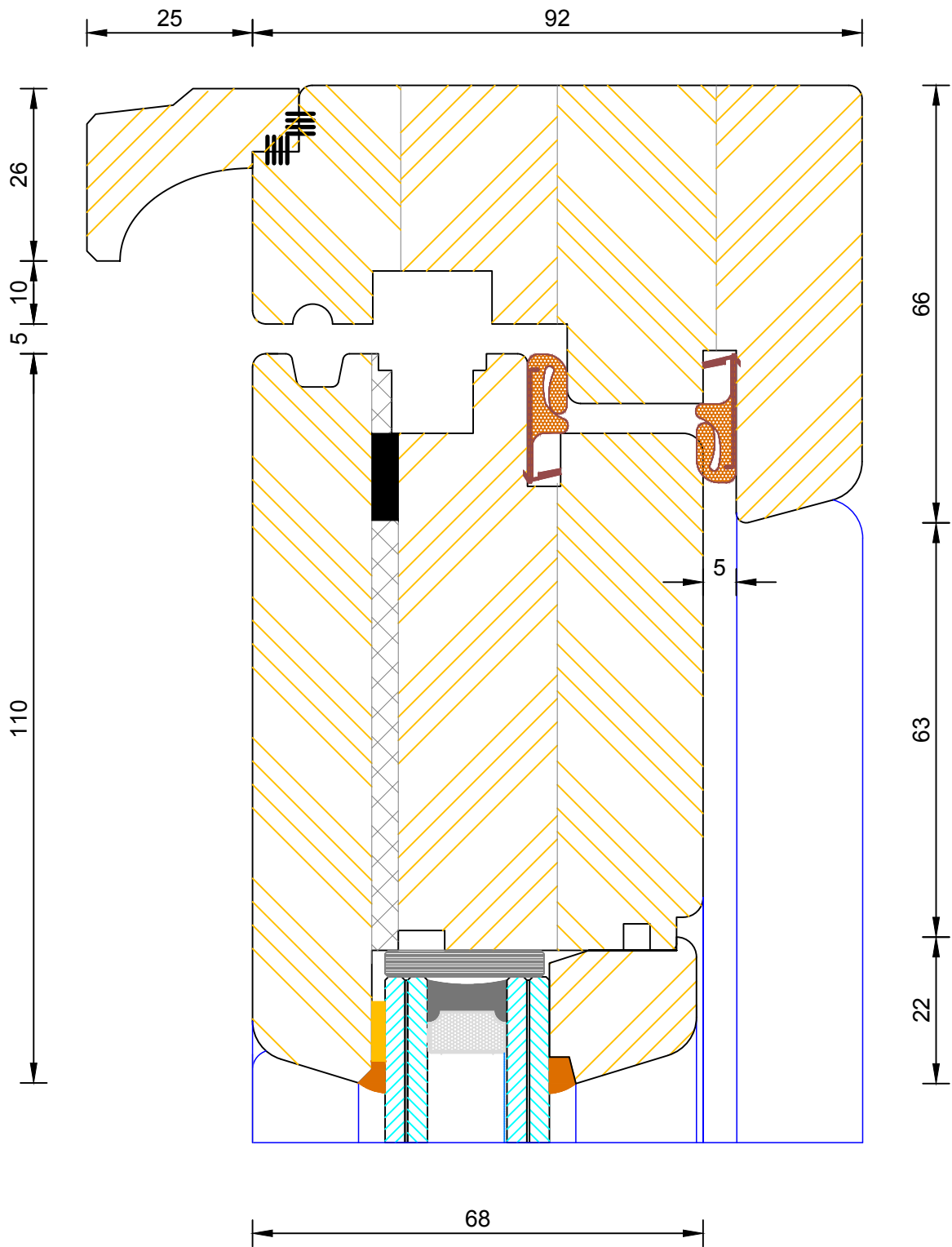
DIMENSIONS	PLOT SIZE	SCALE	DATE	REV	DWG NO.
MM	A4	1:1	08.12.2010	A	1004

Please consider the environment before printing



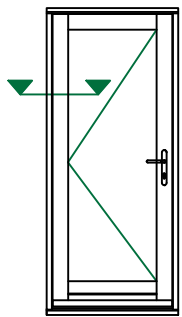
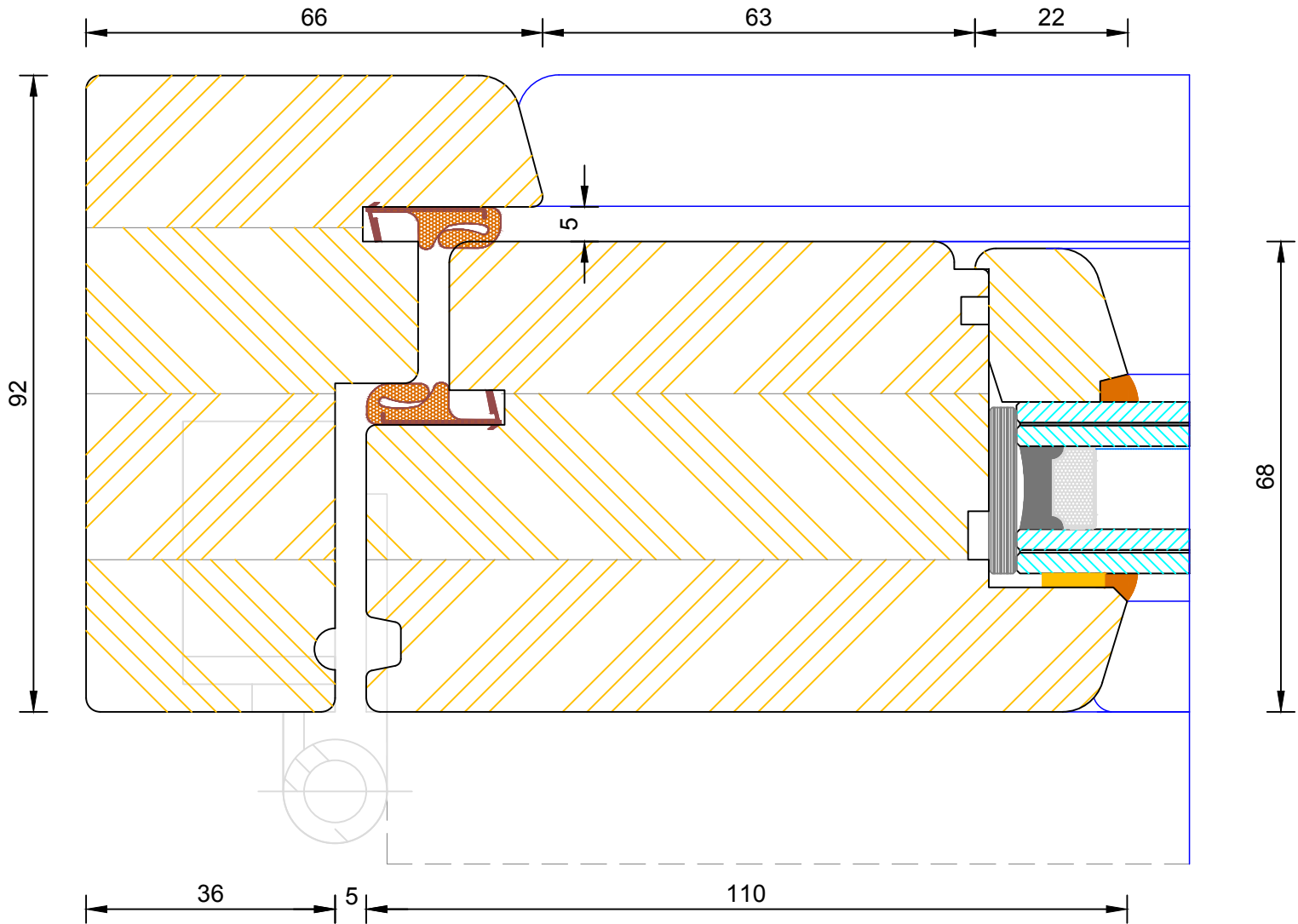
**Contemporary Open Out Flush Entrance Door
Sidelight / Fanlight Jamb**

DIMENSIONS	PLOT SIZE	SCALE	DATE	REV	DWG NO.
MM	A4	1:1	08.12.2010	A	1005



**Contemporary Open Out Flush Entrance Door
Frame & Leaf Head**

DIMENSIONS	PLOT SIZE	SCALE	DATE	REV	DWG NO.
MM	A4	1:1	08.12.2010	A	1009



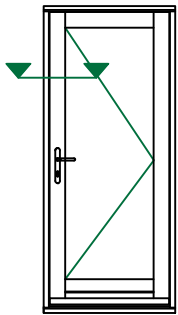
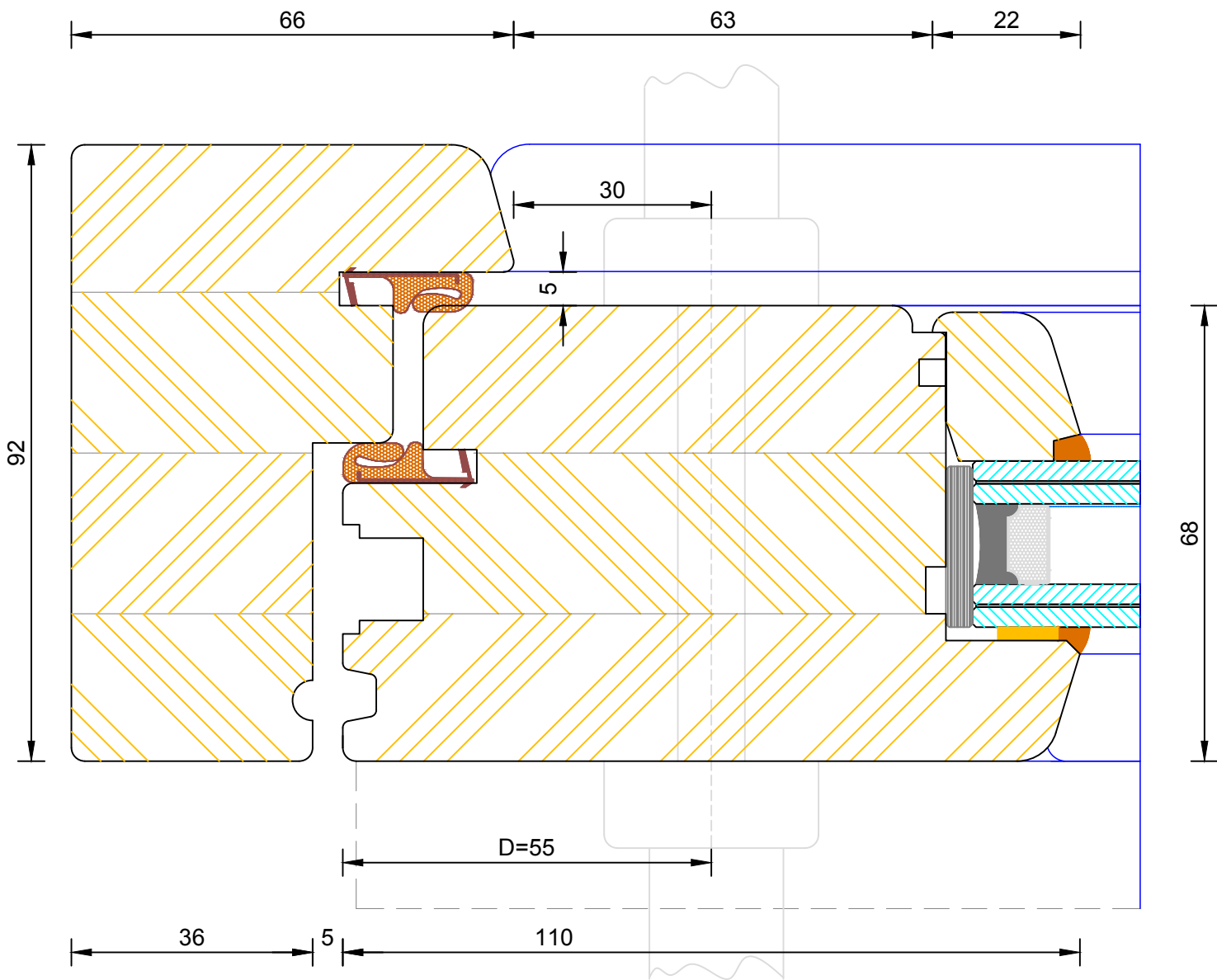
Note: Hinge colour available in Stainless Steel only.



Contemporary Open Out Flush Entrance Door Frame & Leaf Jamb (Hinge Side)

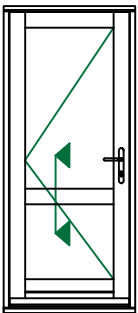
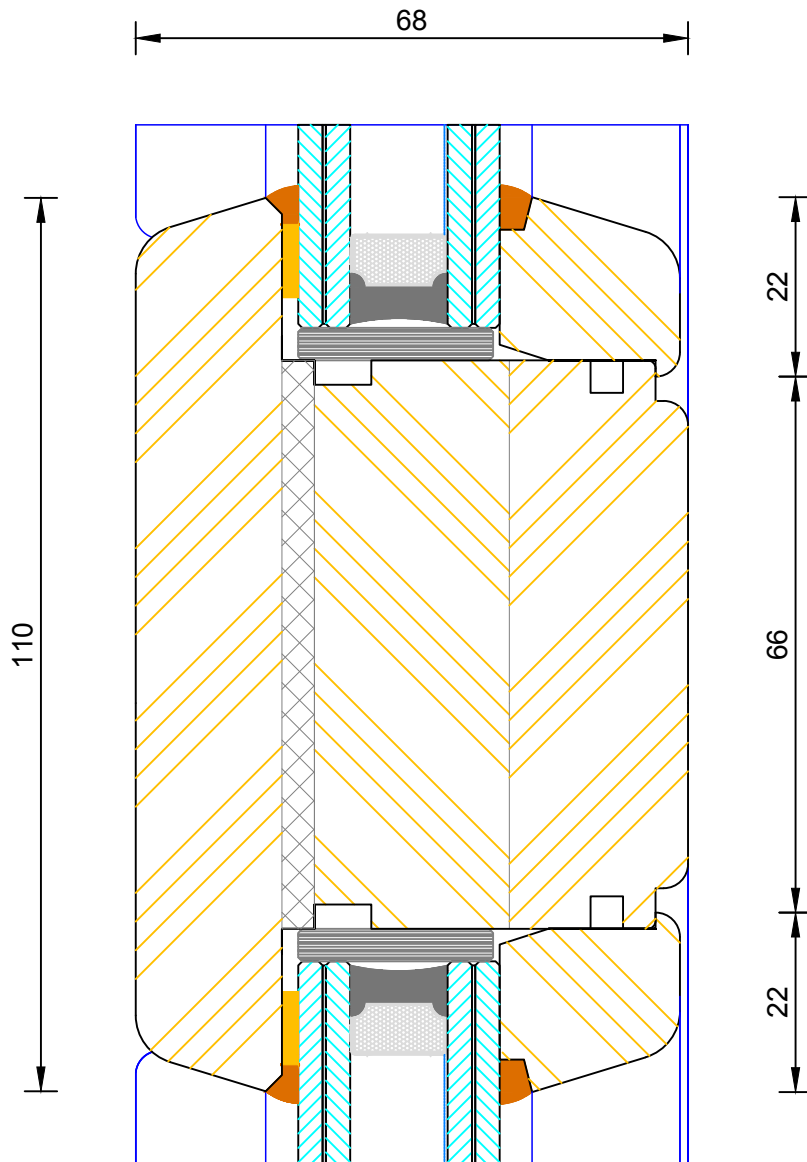
DIMENSIONS	PLOT SIZE	SCALE	DATE	REV	DWG NO.
MM	A4	1:1	08.12.2010	A	1010

Please consider the environment before printing



**Contemporary Open Out Flush Entrance Door
Frame & Leaf Jamb (Handle Side)**

DIMENSIONS	PLOT SIZE	SCALE	DATE	REV	DWG NO.
MM	A4	1:1	08.12.2010	A	1011
Please consider the environment before printing					

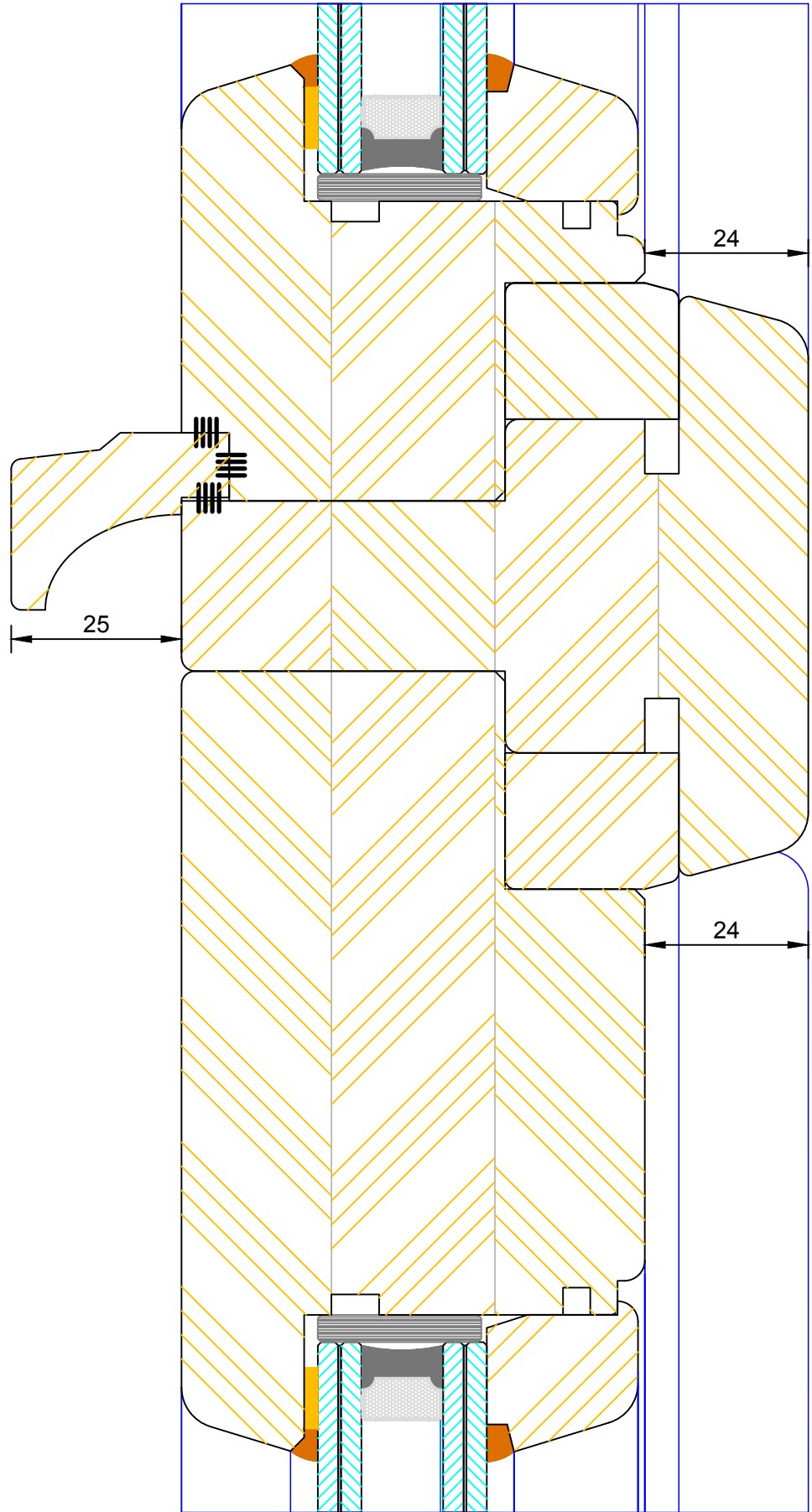


**Contemporary Open Out Flush Entrance Door
Mid Rail (110mm)**

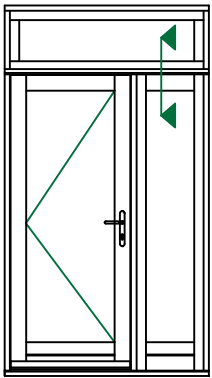
DIMENSIONS	PLOT SIZE	SCALE	DATE	REV	DWG NO.
MM	A4	1:1	08.12.2010	A	1015

68

54
26
9
115



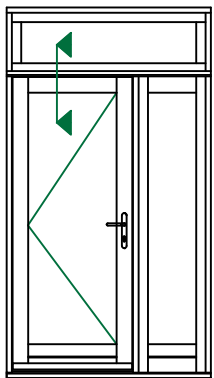
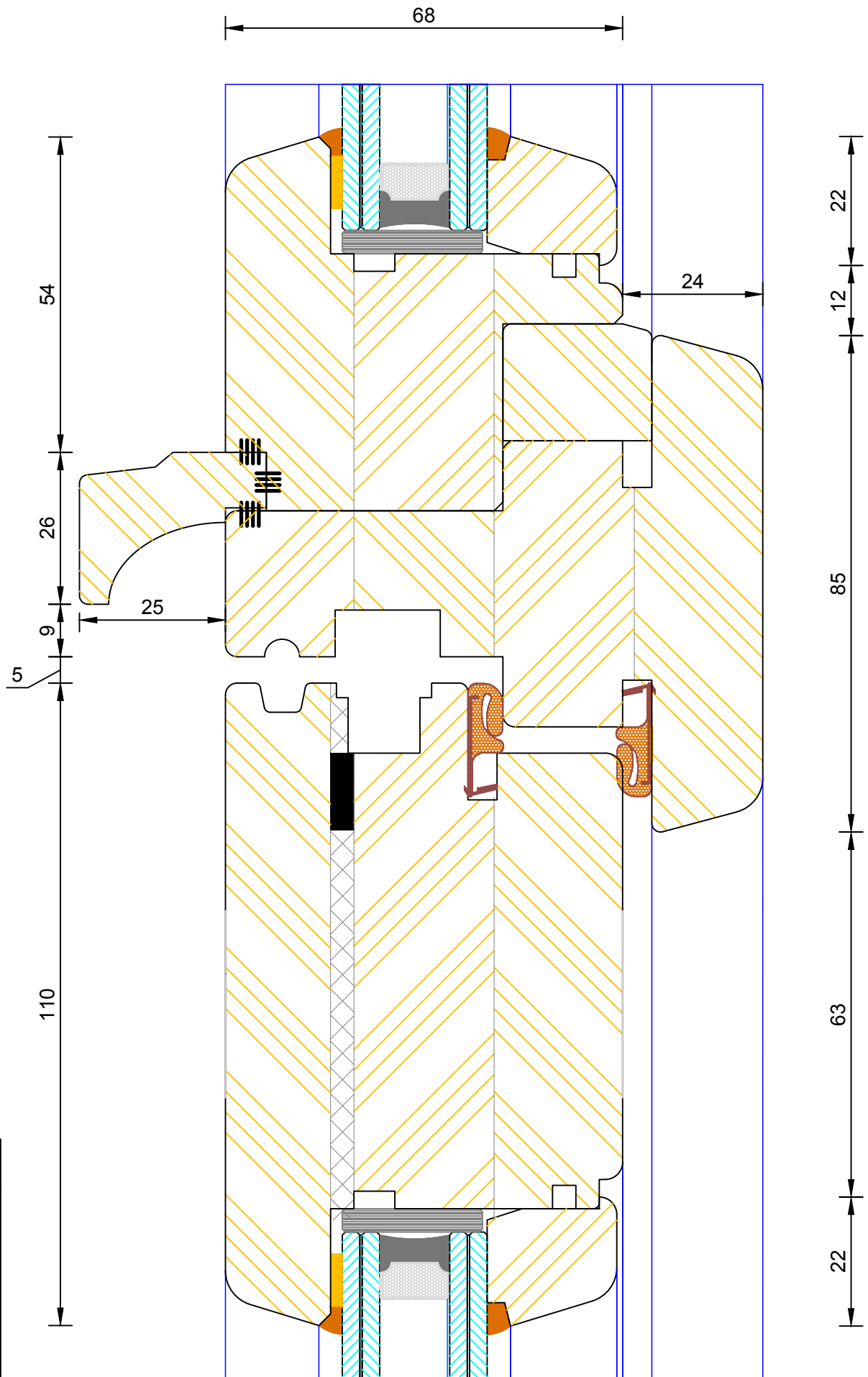
22
12
85
63
22

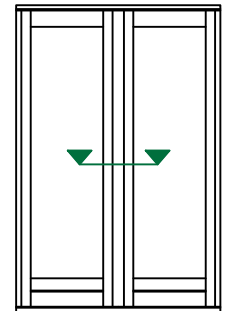
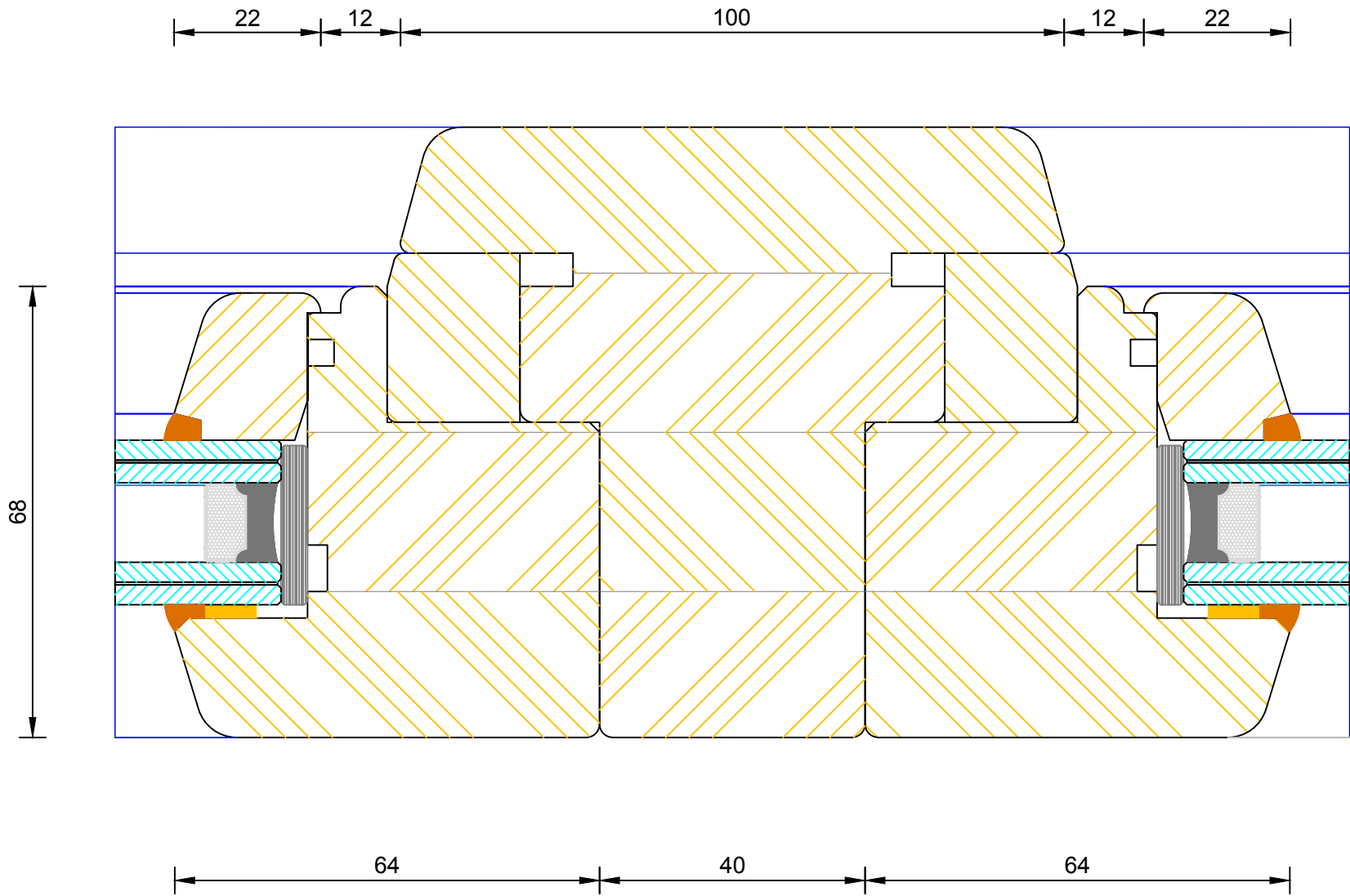


**Contemporary Open Out Flush Entrance Door
Solid Transom (Fanlight / Sidelight)**

DIMENSIONS	PLOT SIZE	SCALE	DATE	REV	DWG NO.
MM	A4	1:1	08.12.2010	A	1016

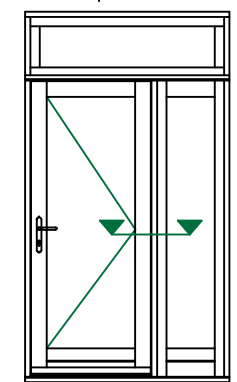
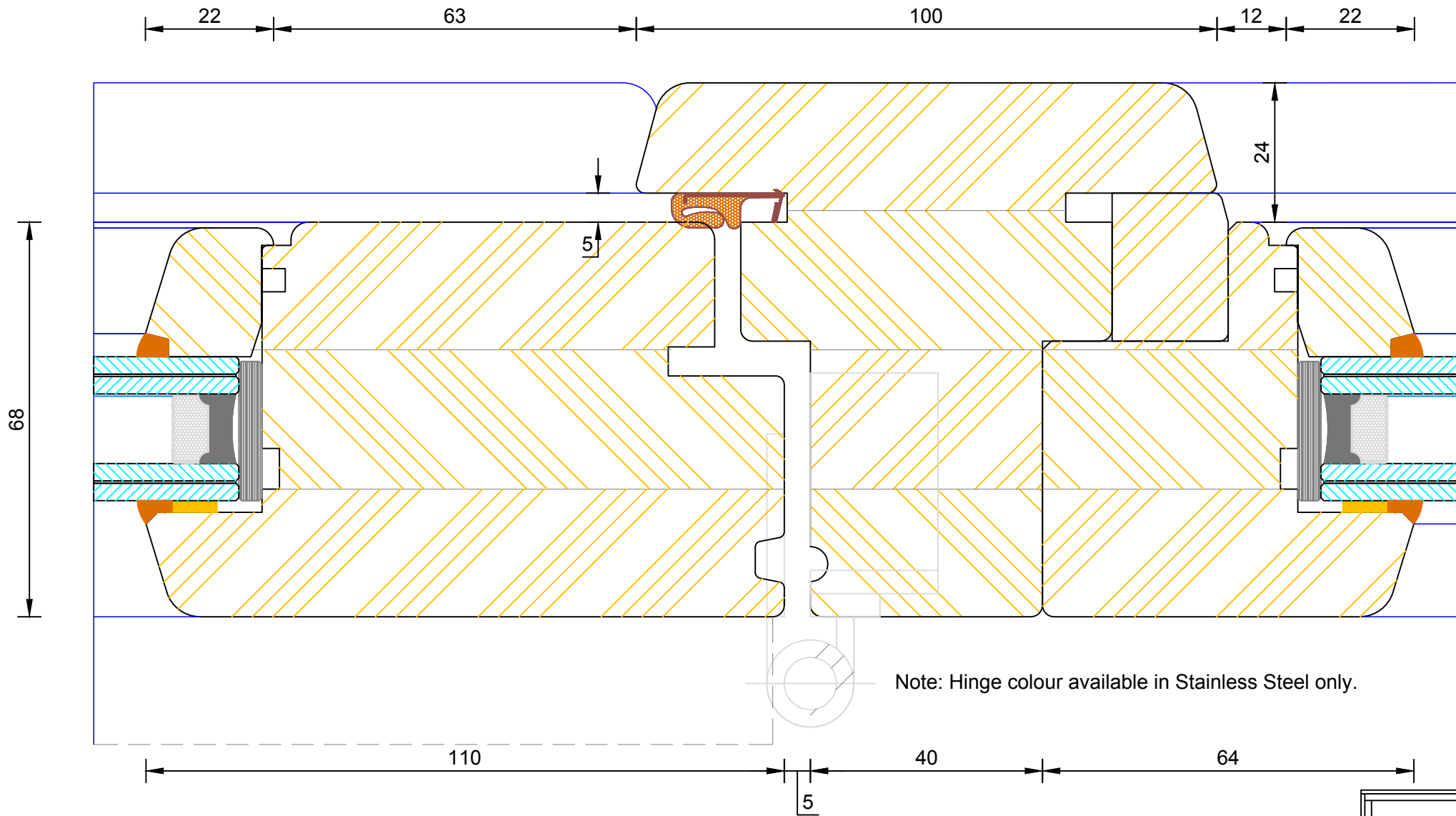
Please consider the environment before printing





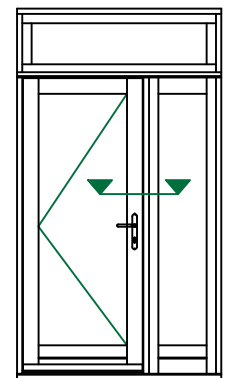
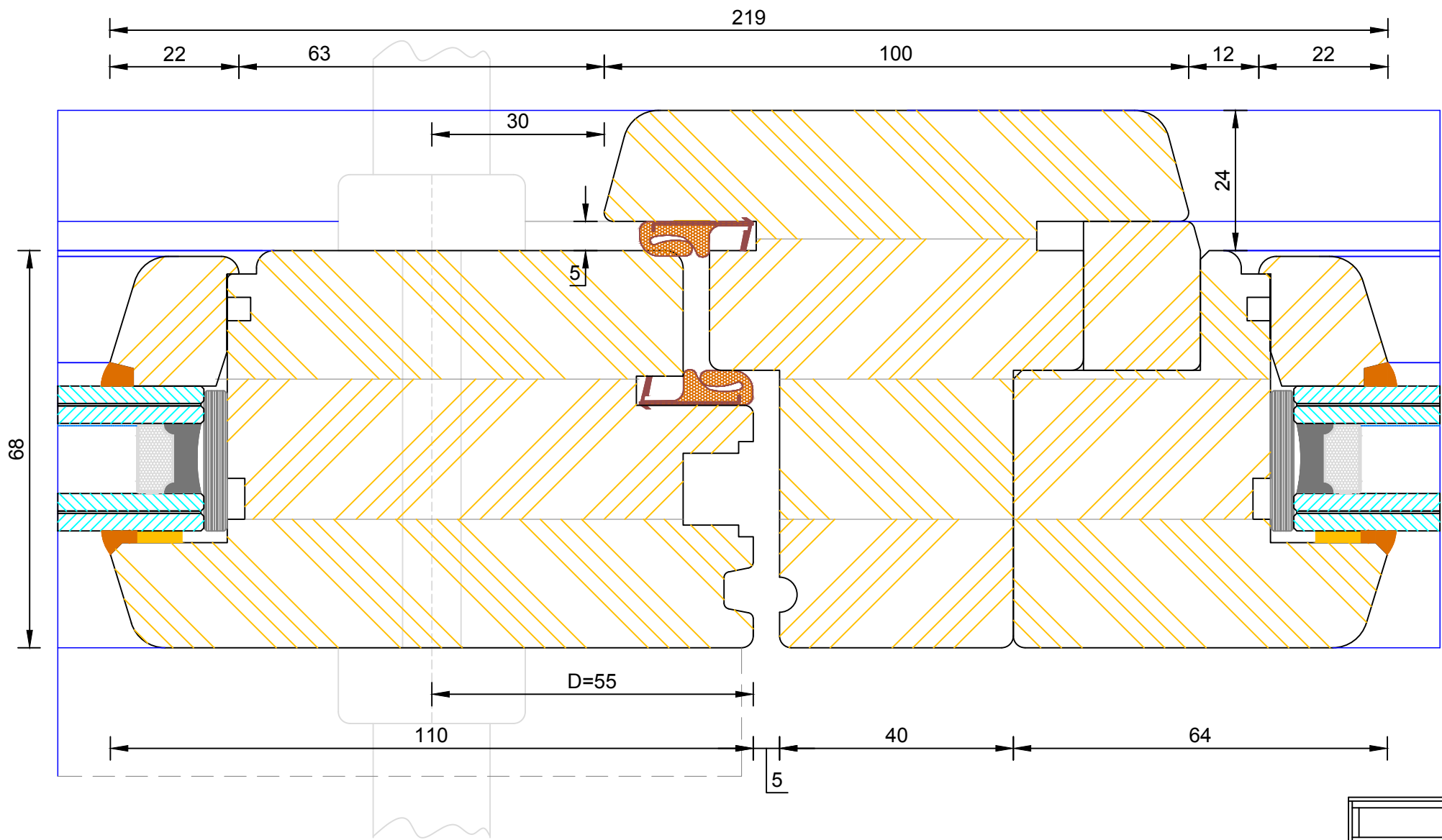
Contemporary Open Out Flush Entrance Door
Solid Mullion (Fixed Light / Fixed Light)

DIMENSIONS	PLOT SIZE	SCALE	DATE	REV	DWG NO.
MM	A4	1:1	07.02.2011	A	1018
Please consider the environment before printing					



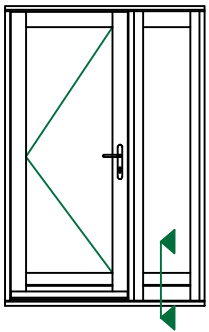
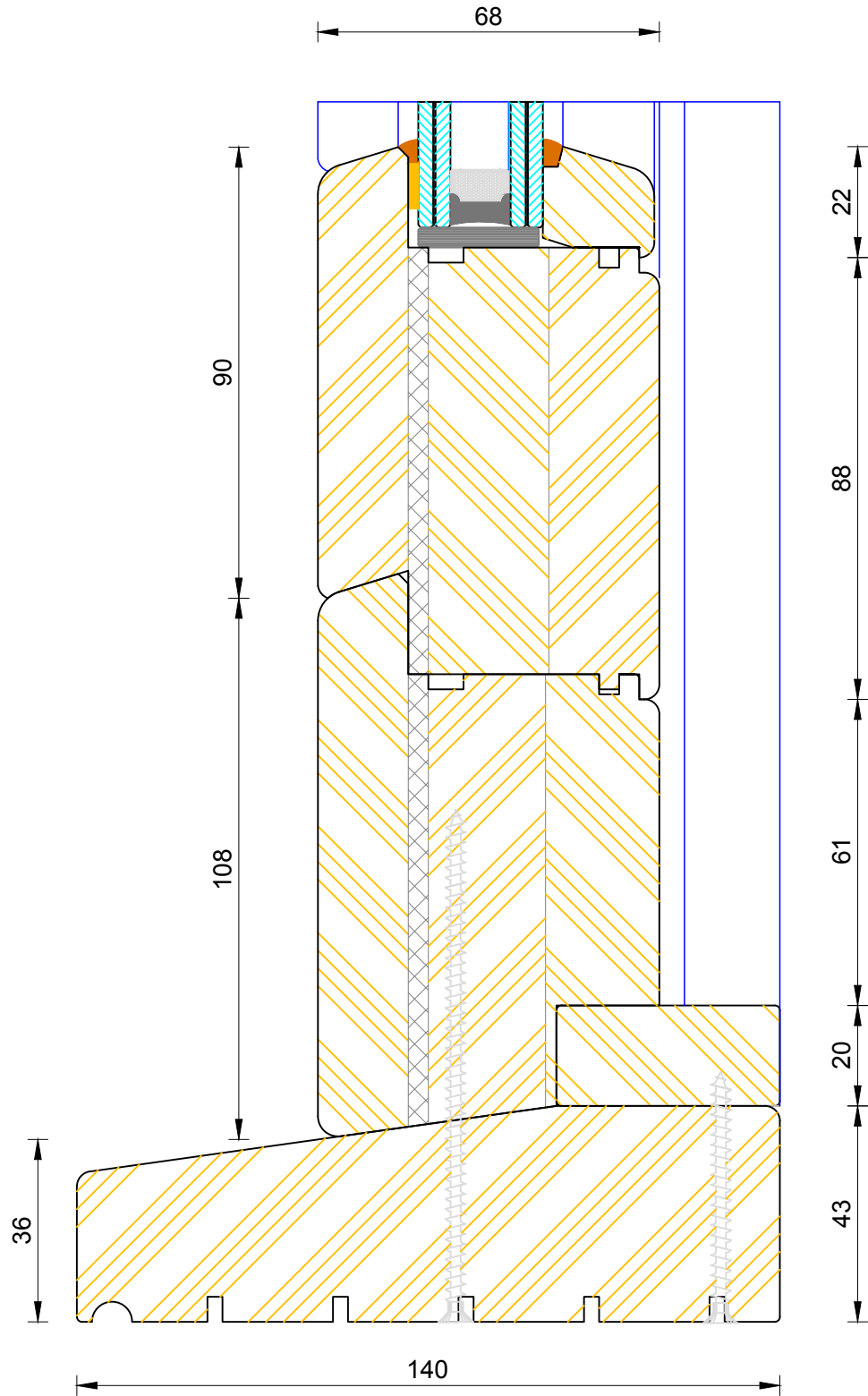
**Contemporary Open Out Flush Entrance Door
Solid Mullion (Leaf / Side Light)**

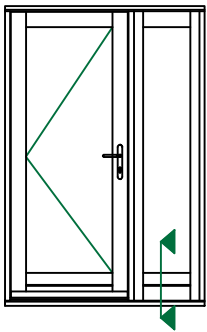
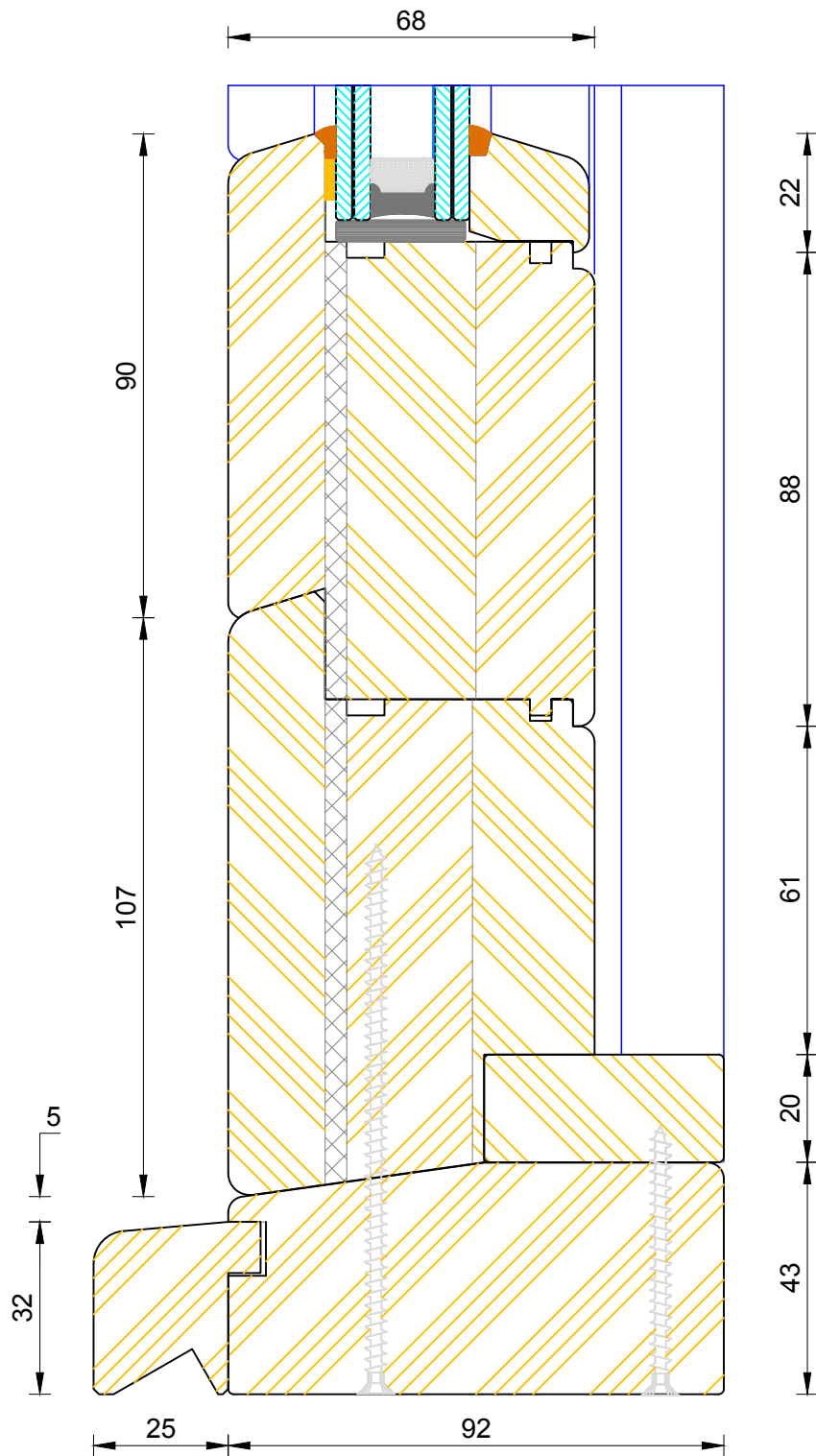
DIMENSIONS	PLOT SIZE	SCALE	DATE	REV	DWG NO.
MM	A4	1:1	07.02.2011	A	1019
Please consider the environment before printing					



**Contemporary Open Out Flush Entrance Door
Solid Mullion (Leaf / Side Light)**

DIMENSIONS	PLOT SIZE	SCALE	DATE	REV	DWG NO.
MM	A4	1:1	07.02.2011	A	1020
Please consider the environment before printing					





CILL EXTENSION - available options: 25mm (117mm o/a) / 47mm (139mm o/a) / 62mm (154mm o/a) / 87mm (179mm o/a) / 114mm (206mm o/a) / 125mm (217mm o/a) / 140mm (232mm o/a)

NOTE: Cill Extensions should be supported from underneath; the maximum overhang over Brick / Blockwork for cill extension should not exceed 25mm in order to avoid damage when stepped on. Warranties are invalidated when fitted with overhang in excess to that.

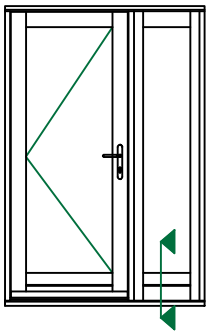
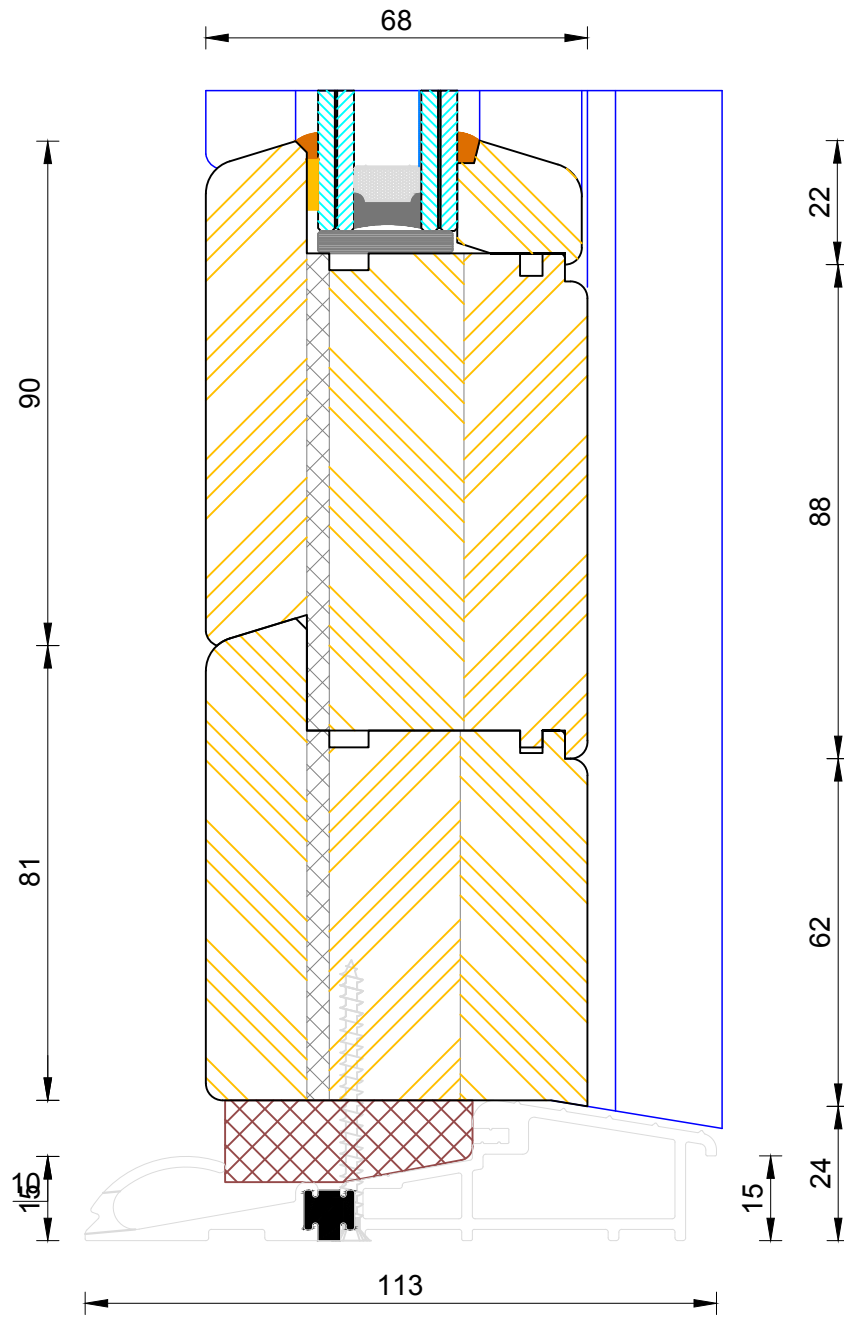
If not otherwise stated, Hardwood Threshold will be painted the same colour as Frame.



Contemporary Open Out Flush Entrance Door Coupling Thresh (Sidelight)

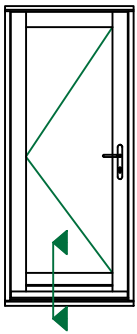
DIMENSIONS	PLOT SIZE	SCALE	DATE	REV	DWG NO.
MM	A3	1:1	08.12.2010	A	1007

Please consider the environment before printing



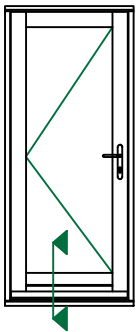
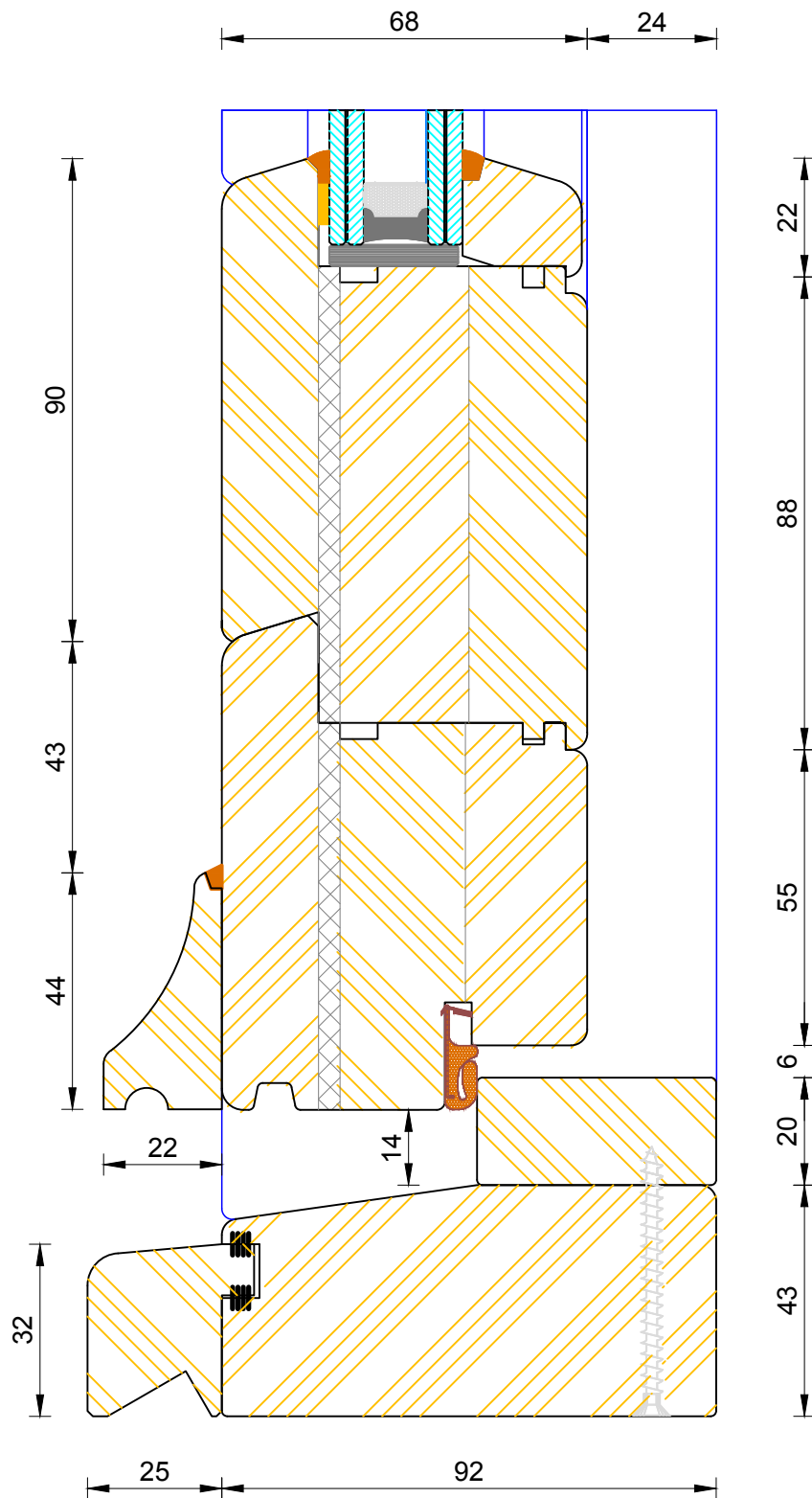
**Contemporary Open Out Flush Entrance Door
Mobility Thresh (Sidelight)**

DIMENSIONS	PLOT SIZE	SCALE	DATE	REV	DWG NO.
MM	A3	1:1	08.12.2010	A	1008



**Contemporary Open Out Flush Entrance Door
Standard Thresh (140x43mm)**

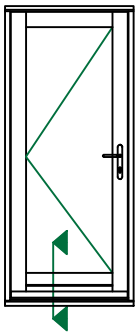
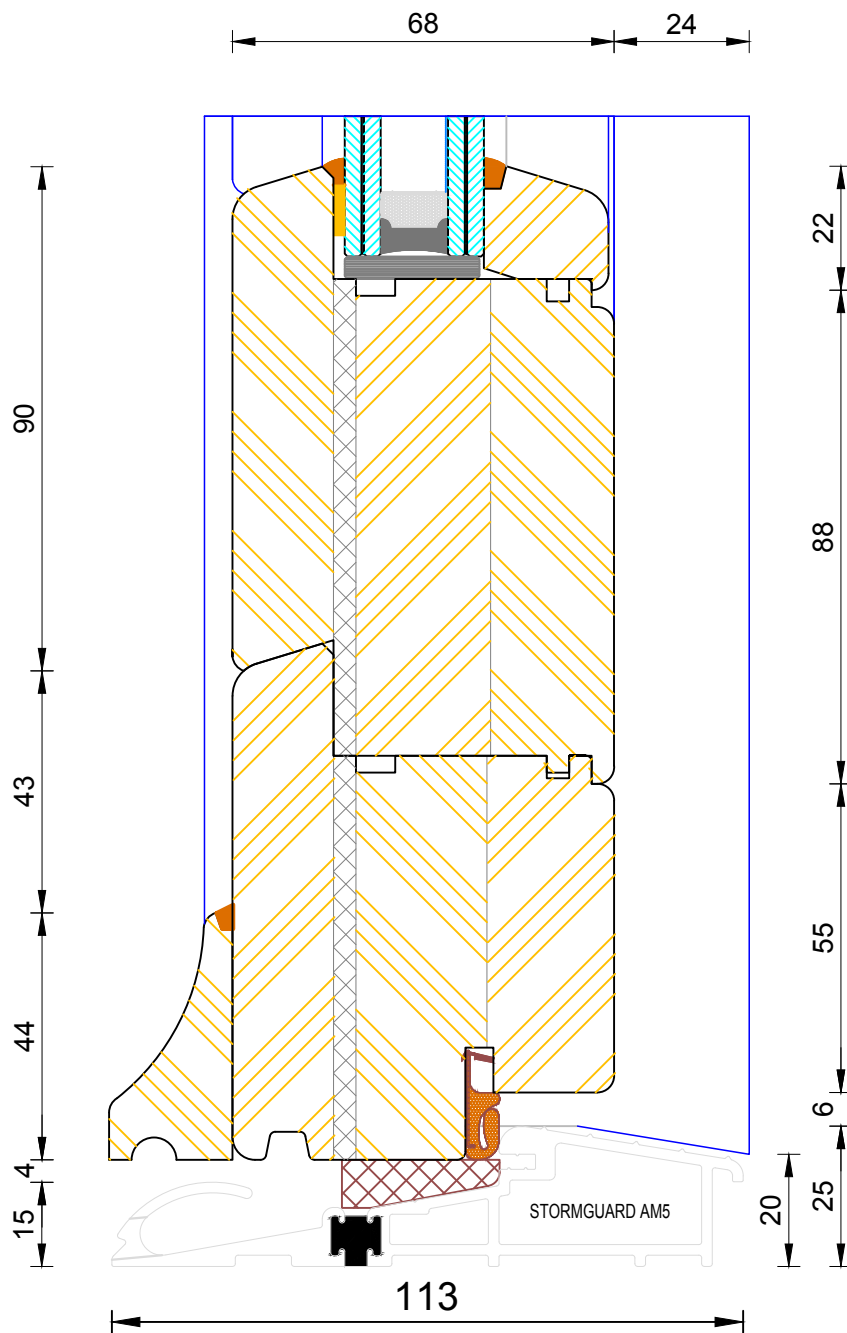
DIMENSIONS	PLOT SIZE	SCALE	DATE	REV	DWG NO.
MM	A3	1:1	08.12.2010	A	1012



CILL EXTENSION - available options: 25mm (117mm o/a) / 47mm (139mm o/a) / 62mm (154mm o/a) / 87mm (179mm o/a) / 114mm (206mm o/a) / 125mm (217mm o/a) / 140mm (232mm o/a)

NOTE: Cill Extensions should be supported from underneath; the maximum overhang over Brick / Blockwork for cill extension should not exceed 25mm in order to avoid damage when stepped on. Warranties are invalidated when fitted with overhang in excess to that.

If not otherwise stated, Hardwood Threshold will be painted the same colour as Frame.

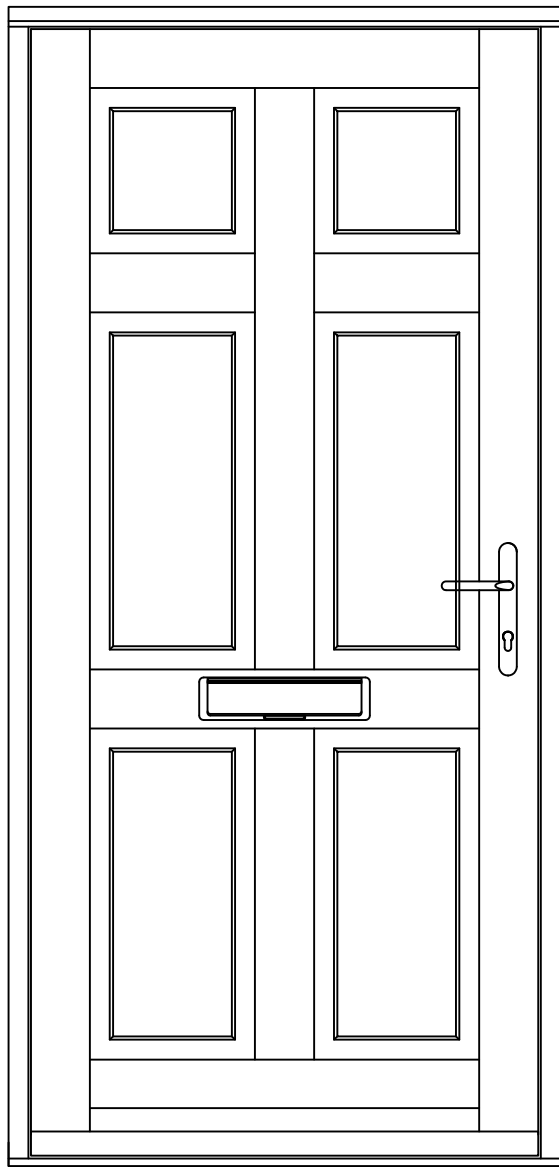


Bereco

**Contemporary Open Out Flush Entrance Door
Mobility Thresh**

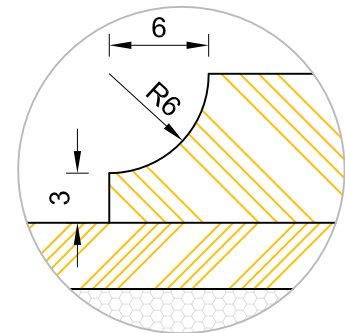
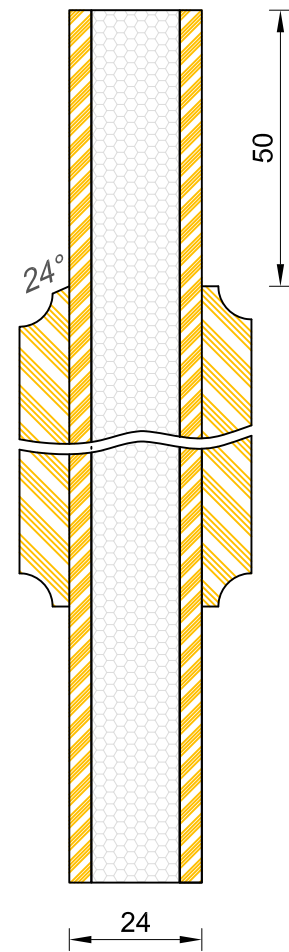
DIMENSIONS	PLOT SIZE	SCALE	DATE	REV	DWG NO.
MM	A3	1:1	08.12.2010	A	1014

Please consider the environment before printing

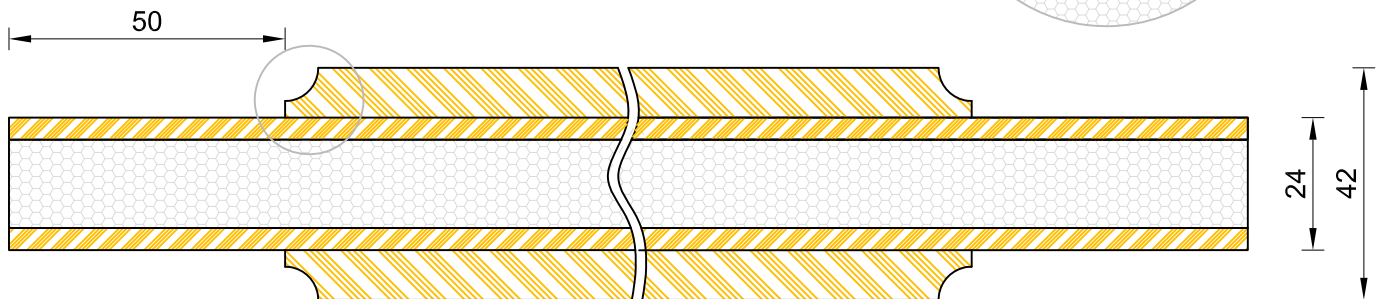


OUTSIDE

INSIDE



OUTSIDE



INSIDE

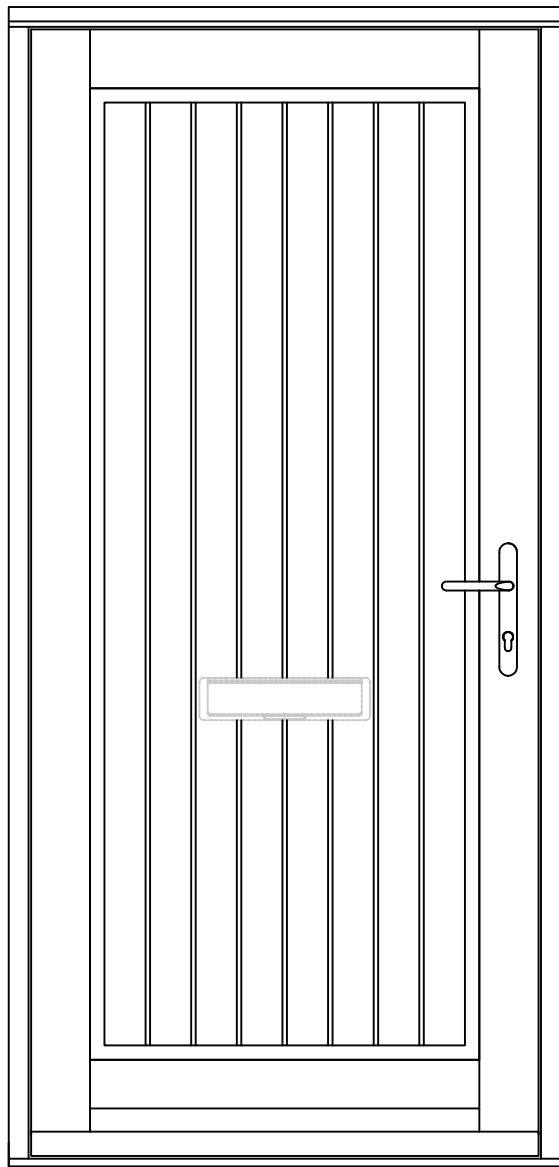


Contemporary Open Out Flush Entrance Door
Standard Raised and Fielded Panel (RFA wo 24)

DIMENSIONS	PLOT SIZE	SCALE	DATE	REV	DWG NO.
MM	A3	1:1	21.05.2019	A	1021.1

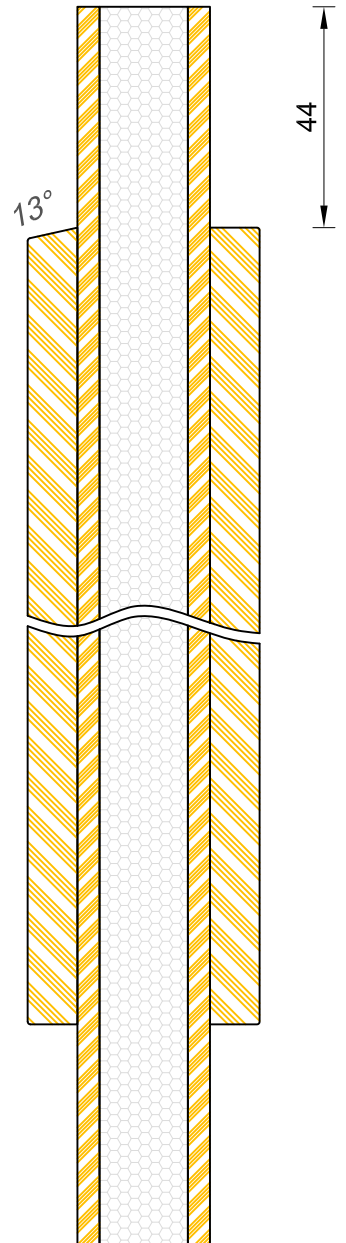
Please consider the environment before printing

BP wo 24 without letter plate/ BP I wo 24 with letter plate



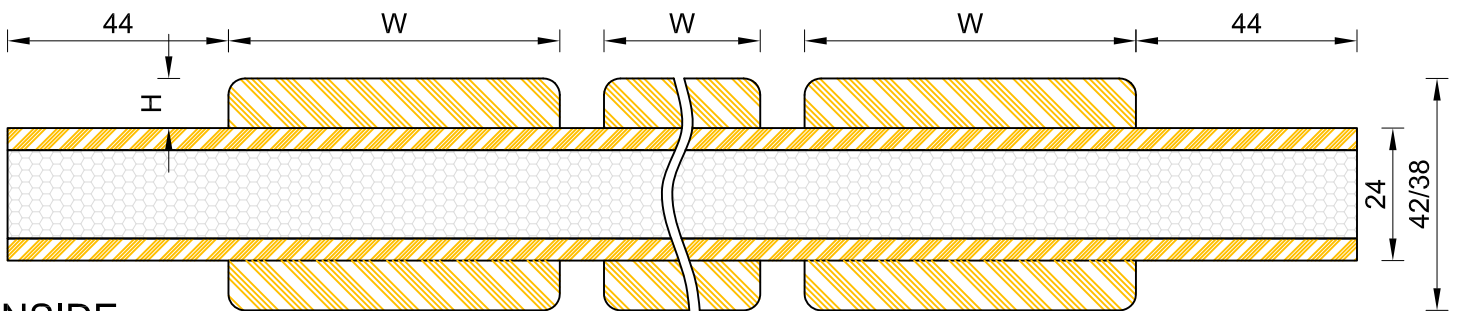
OUTSIDE

INSIDE



H = 9mm on painted finishes (42mm o/a)
 H = 7mm on stained finishes (38mm o/a)
 W = varies depending on door leaf width

OUTSIDE



INSIDE

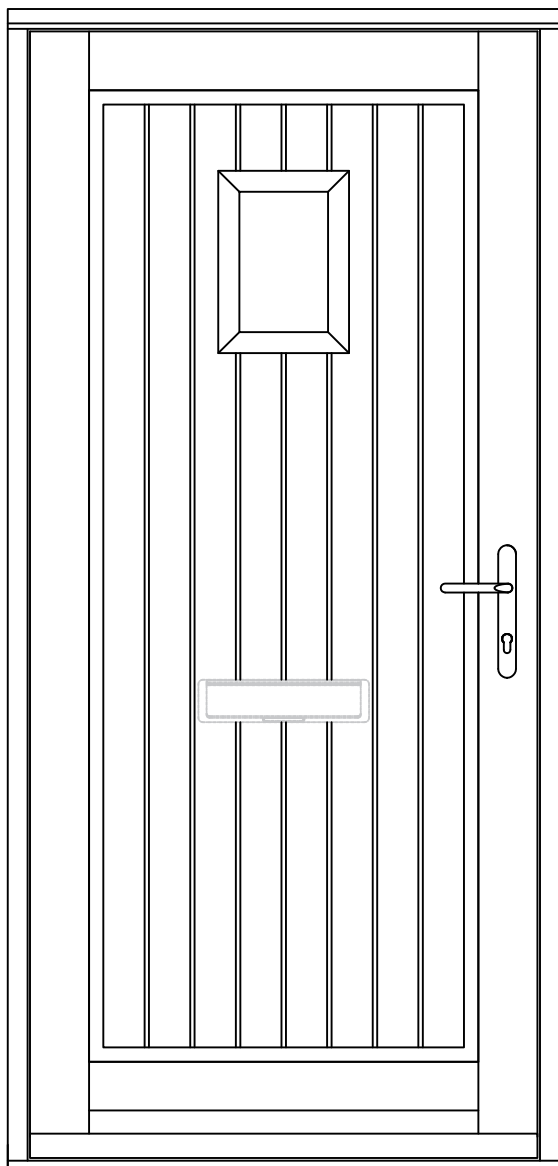


Contemporary Open Out Flush Entrance Door
 Standard Boarded Panel

DIMENSIONS	PLOT SIZE	SCALE	DATE	REV	DWG NO.
MM	A3	1:1	21.05.2019	A	1021.2

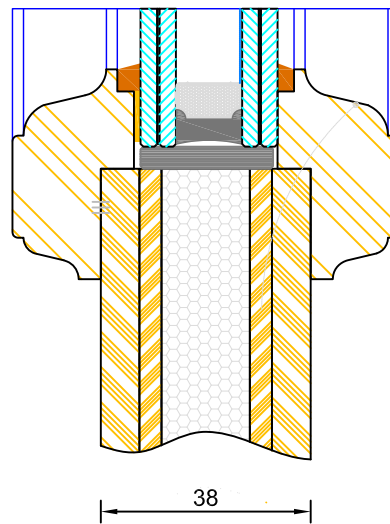
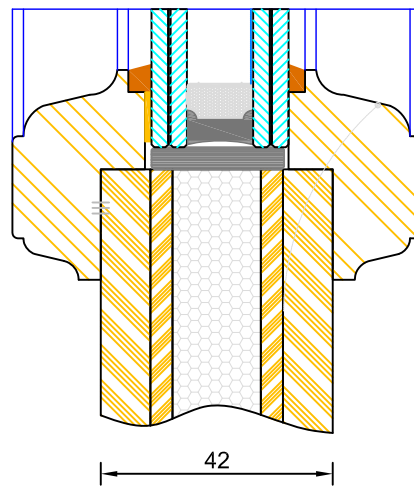
Please consider the environment before printing

BP g wo 24 without letter plate/ BP gl wo 24 with letter plate



OUTSIDE

INSIDE



13°

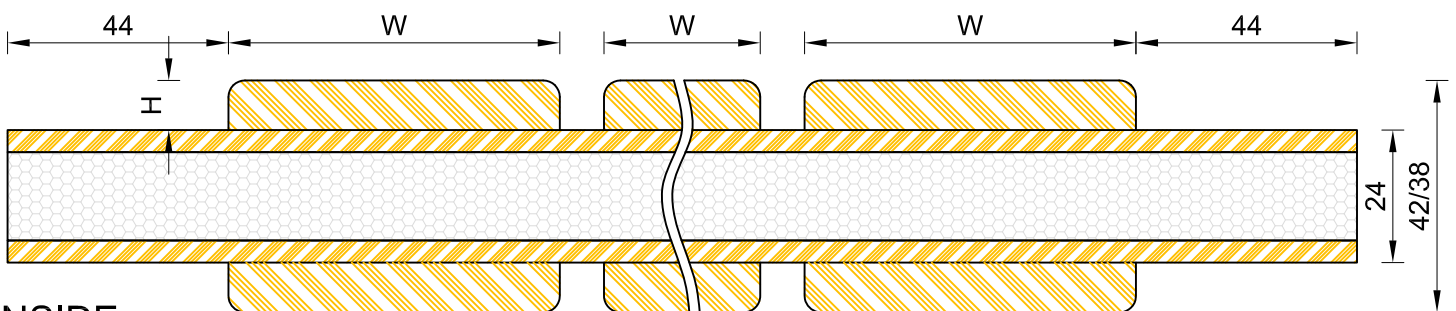
44

42

38

H = 9mm on painted finishes (42mm o/a)
 H = 7mm on stained finishes (38mm o/a)
 W = varies depending on door leaf width

OUTSIDE



INSIDE

Contemporary Open Out Flush Entrance Door
 Standard Boarded Panel with Glass

DIMENSIONS	PLOT SIZE	SCALE	DATE	REV	DWG NO.
MM	A3	1:1	21.05.2019	A	1021.3

Please consider the environment before printing

