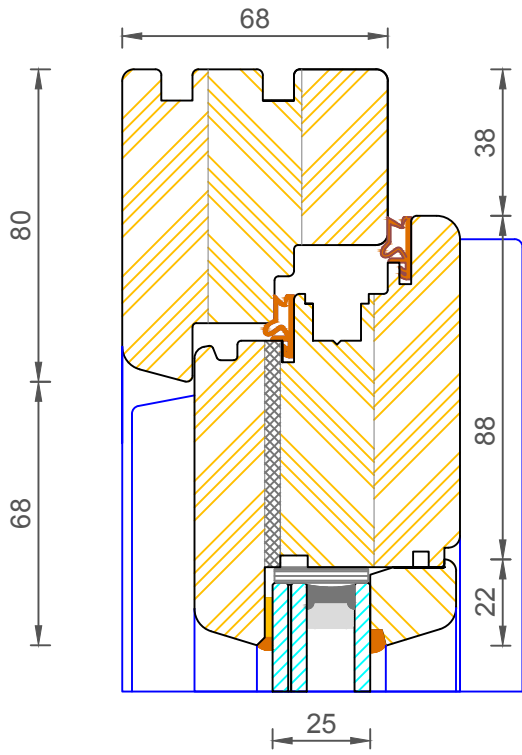
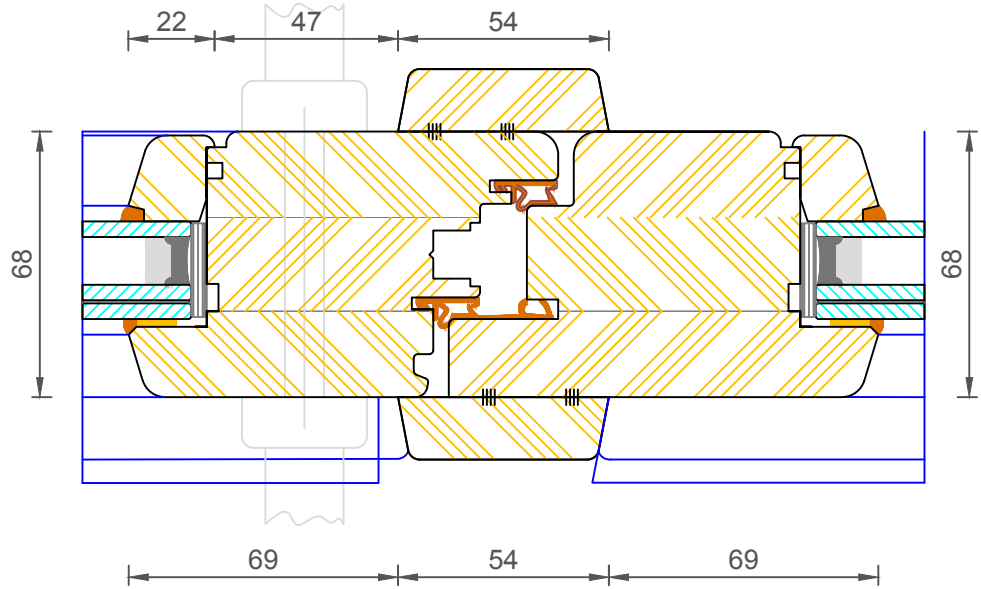


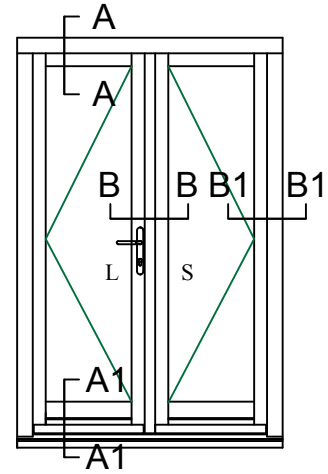
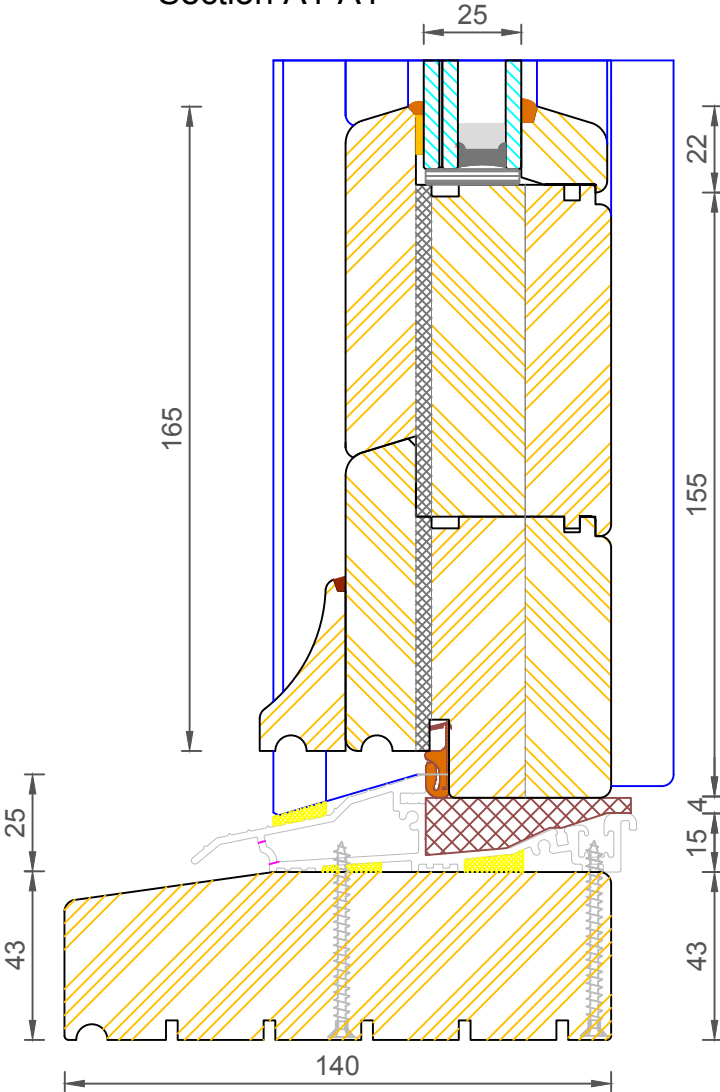
Section A-A



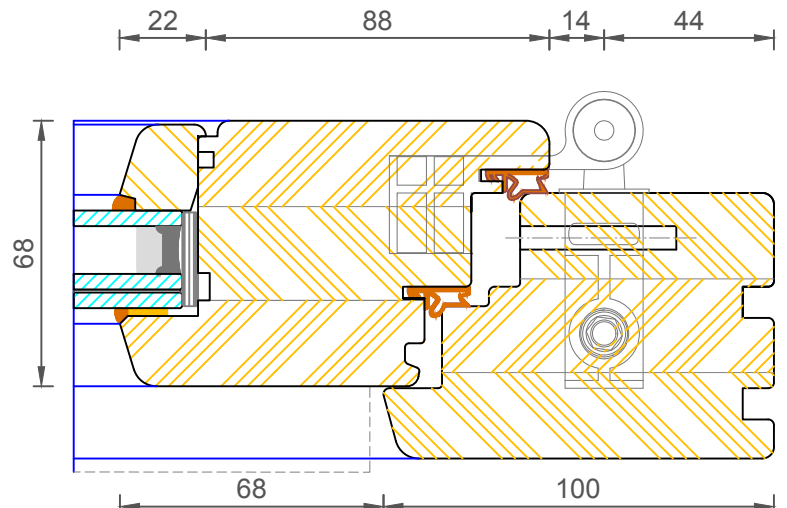
Section B-B



Section A1-A1



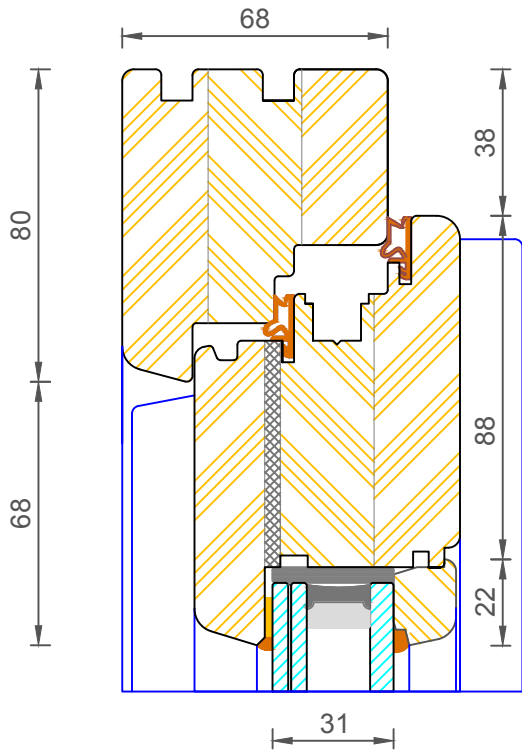
Section B1-B1



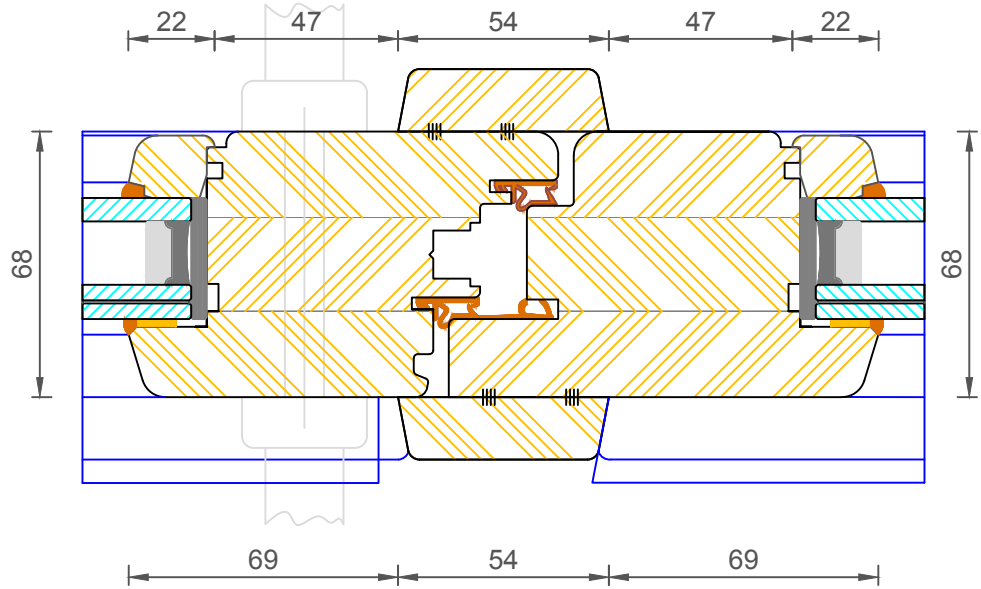
Typical sections showing acoustic glass - 8.8Aku/12ar/4ESGT (39 dB)

For full sectional details please refer to our standard double glazed sections

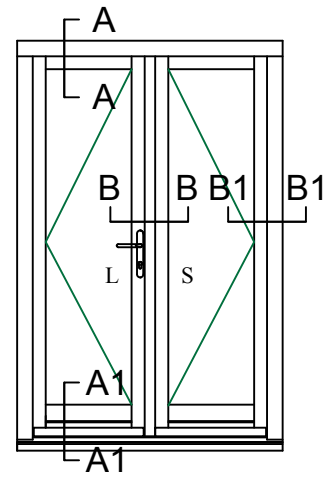
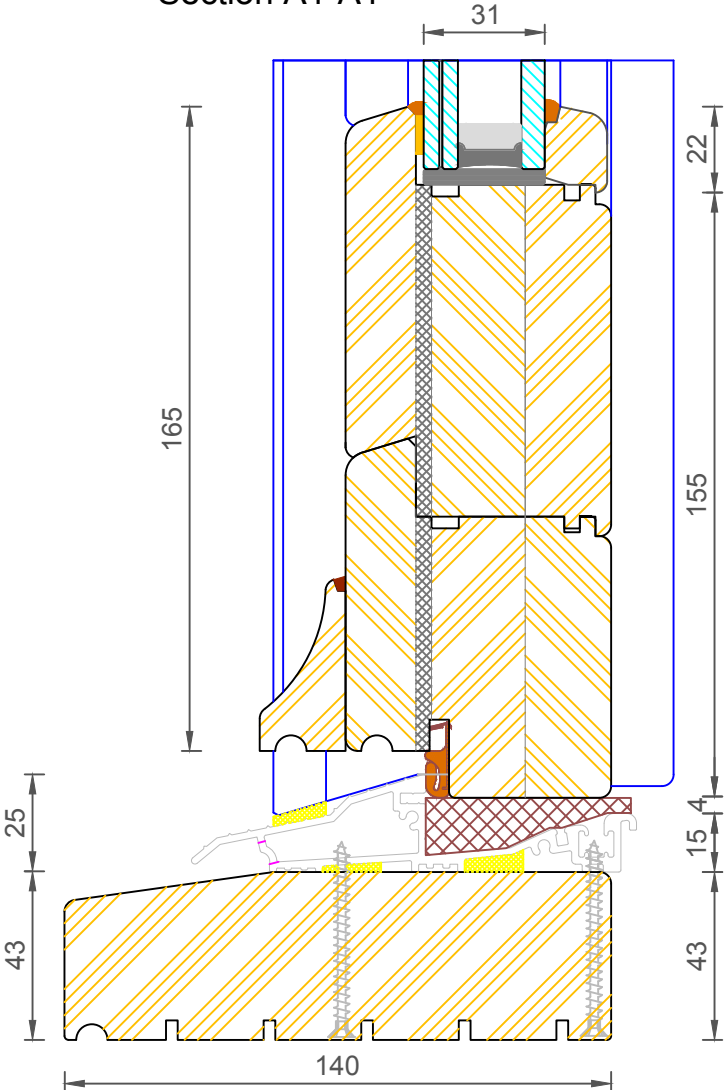
### Section A-A



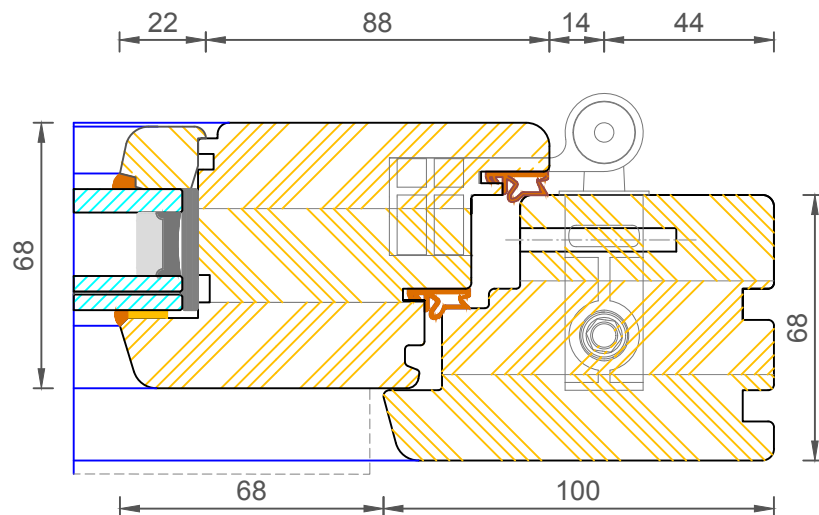
### Section B-B



### Section A1-A1



### Section B1-B1



Typical sections showing acoustic glass - 8.8Aku/16ar/6ESGT (42 dB)

For full sectional details please refer to our standard double glazed sections



## Contemporary Open In Lipped French Door Frame & Leaf Sections - Acoustic Rating 41dB

DIMENSIONS	PLOT SIZE	SCALE	DATE	REV	DWG NO.
MM	A2	1:1	11.01.2016	A	1371

Please consider the environment before printing