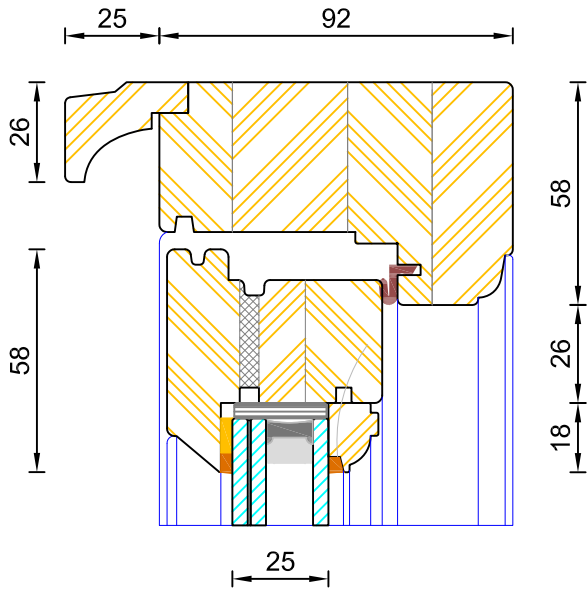
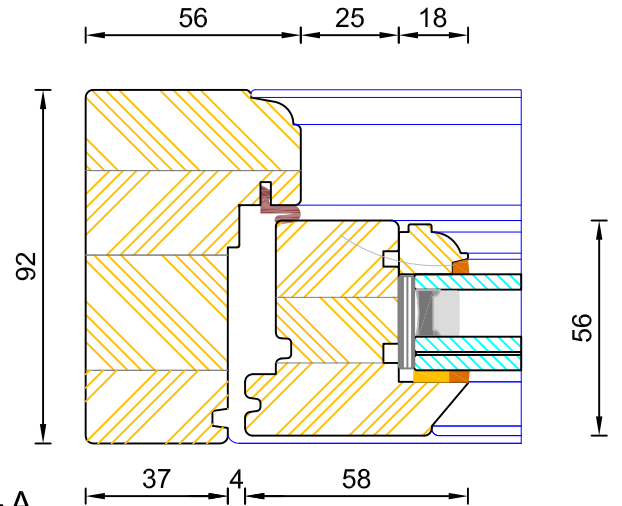


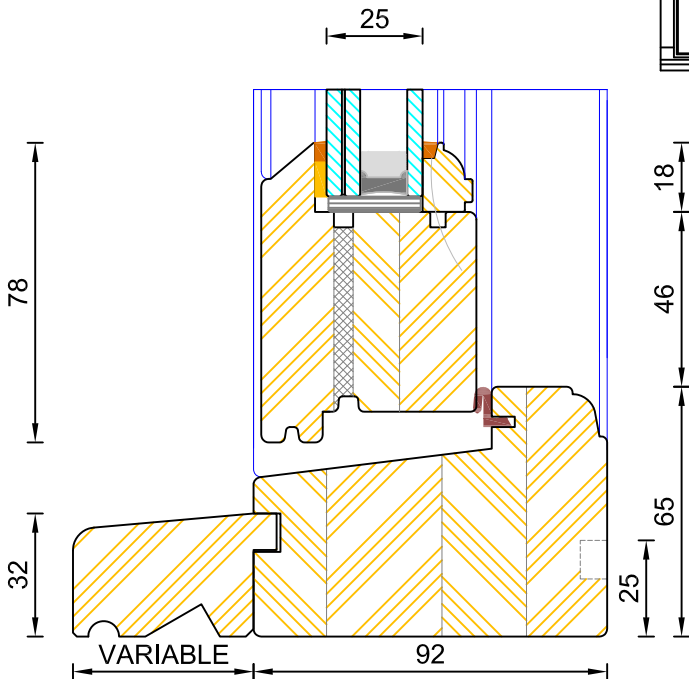
Section A-A



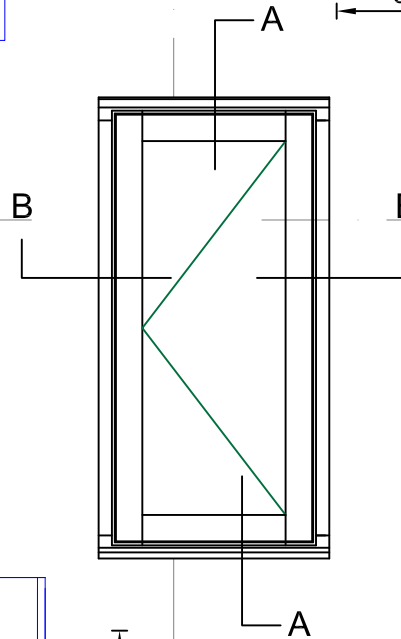
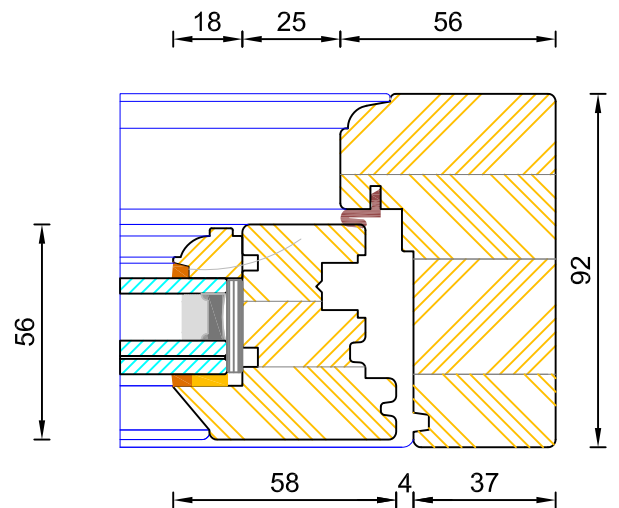
Section B-B



Section A-A



Section B-B



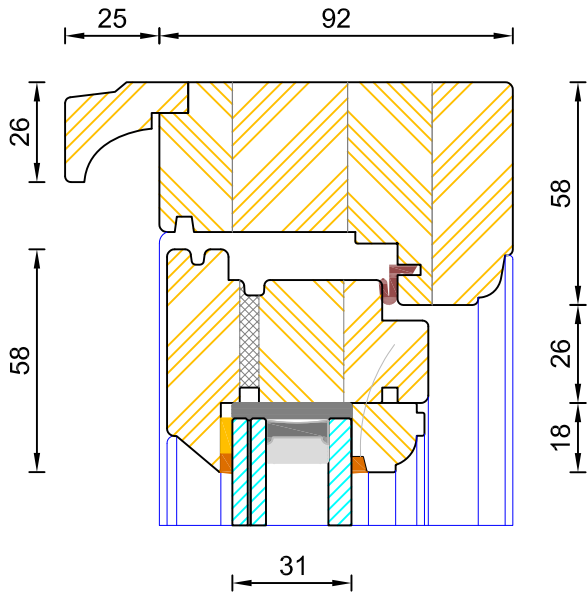
Typical sections showing acoustic glass - 8.8Aku/12ar/4T (39 dB)  
 For full sectional details please refer to our standard double glazed sections



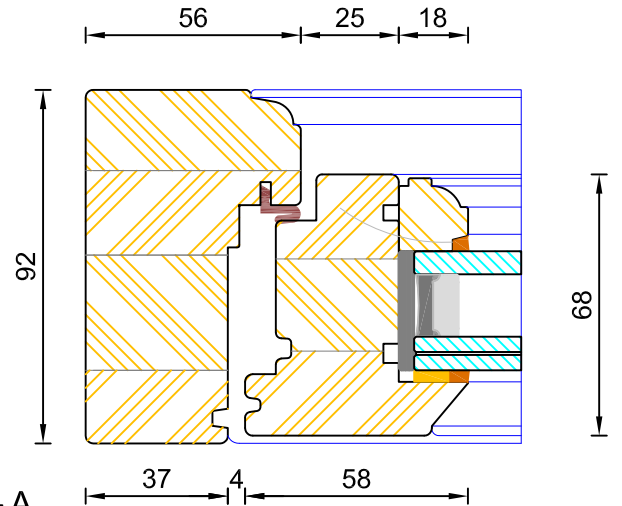
**Traditional Flush Casement Window**  
 Frame & Sash Sections - Acoustic Rating **38dB**

DIMENSIONS	PLOT SIZE	SCALE	DATE	REV	DWG NO.
MM	A2	1:1	18.06.2019	C	<b>1850</b>
Please consider the environment before printing					

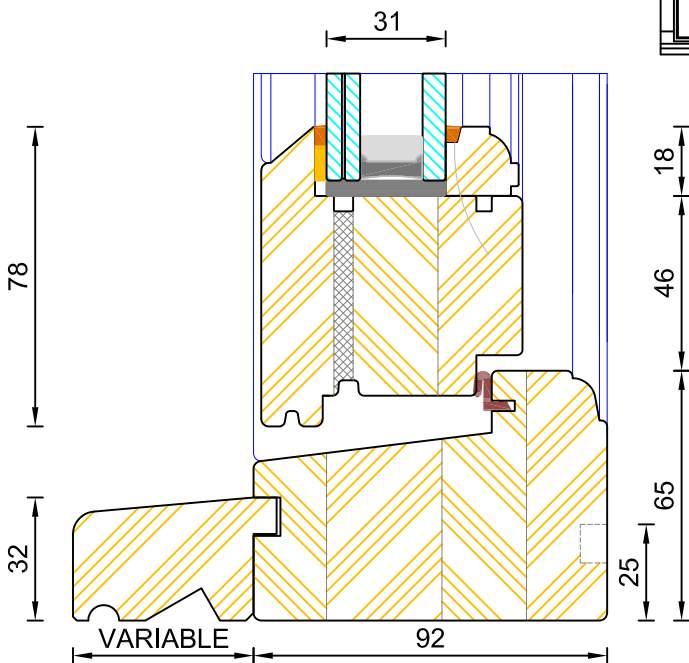
Section A-A



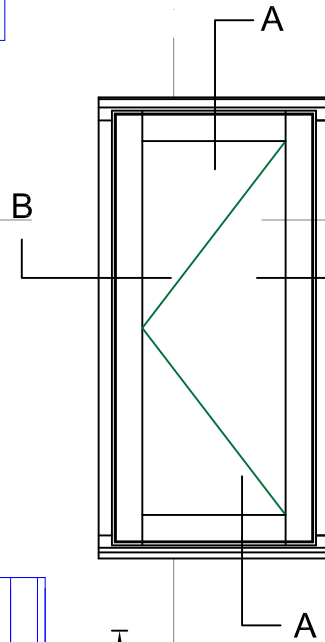
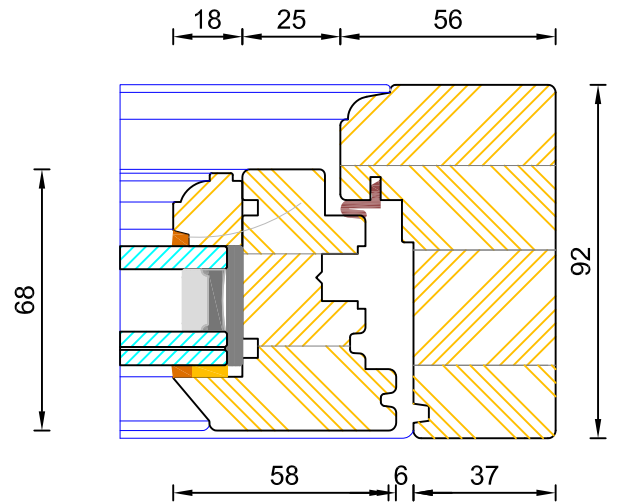
Section B-B



Section A-A



Section B-B



Typical sections showing acoustic glass - 8.8Aku/16ar/6T (**42 dB**)  
 For full sectional details please refer to our standard double glazed sections

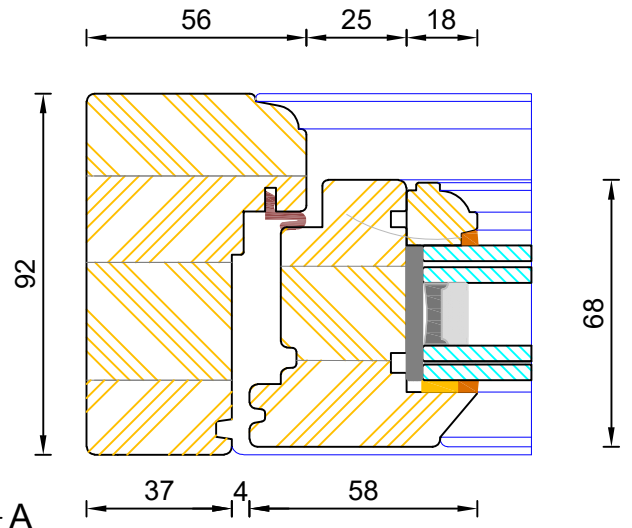
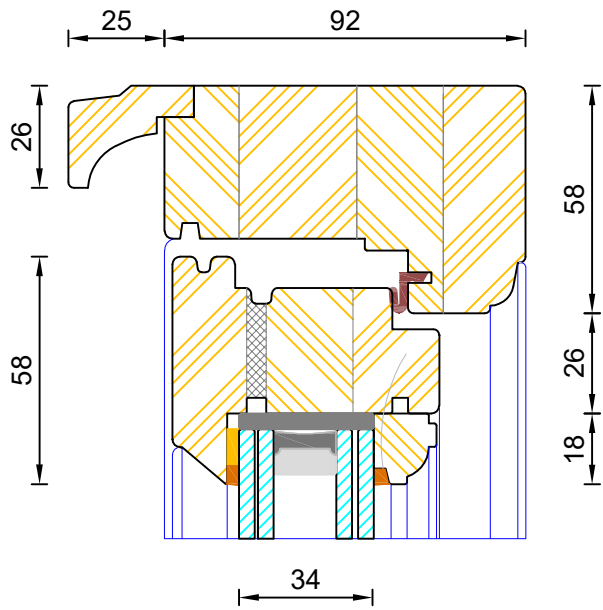


**Traditional Flush Casement Window**  
 Frame & Sash Sections - Acoustic Rating **41dB**

DIMENSIONS	PLOT SIZE	SCALE	DATE	REV	DWG NO.
MM	A2	1:1	18.06.2019	C	<b>1851</b>
Please consider the environment before printing					

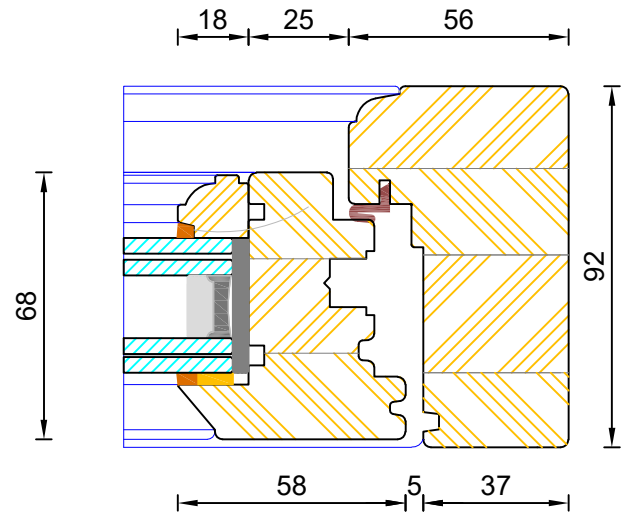
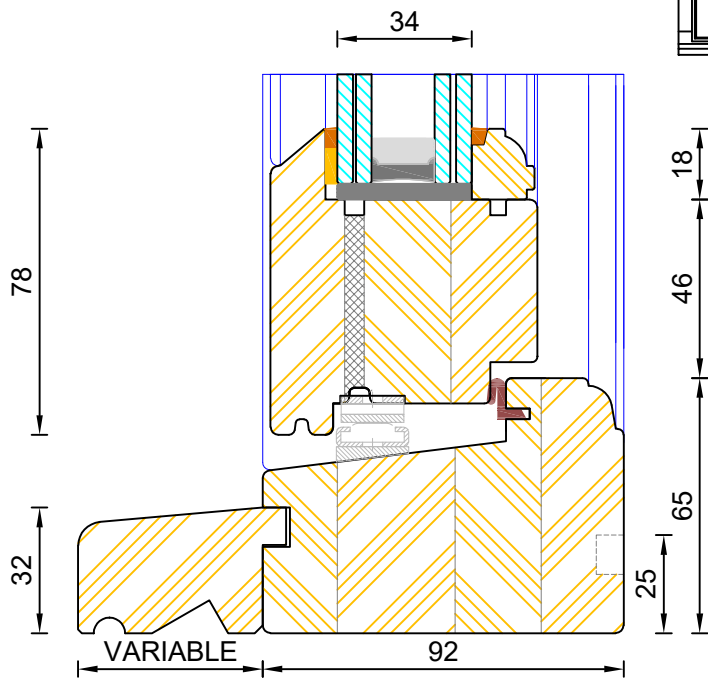
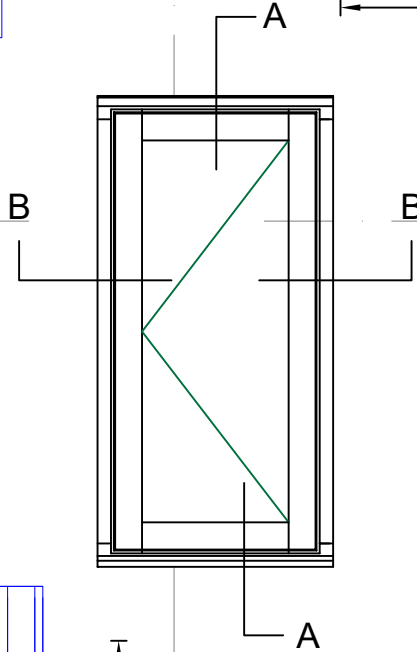
Section A-A

Section B-B



Section A-A

Section B-B



Typical sections showing acoustic glass - 9.5/16Ar/8.8Aku T CG A 1.0 (45dB)  
 For full sectional details please refer to our standard double glazed sections



**Traditional Flush Casement Window**  
 Frame & Sash Sections - Acoustic Rating **42dB**

DIMENSIONS	PLOT SIZE	SCALE	DATE	REV	DWG NO.
MM	A2	1:1	28.08.2019	D	<b>1852</b>

Please consider the environment before printing