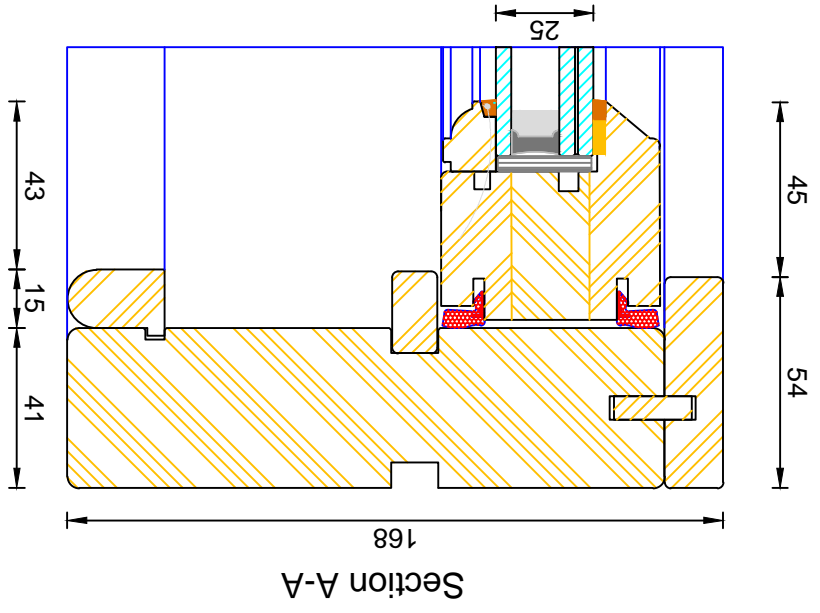
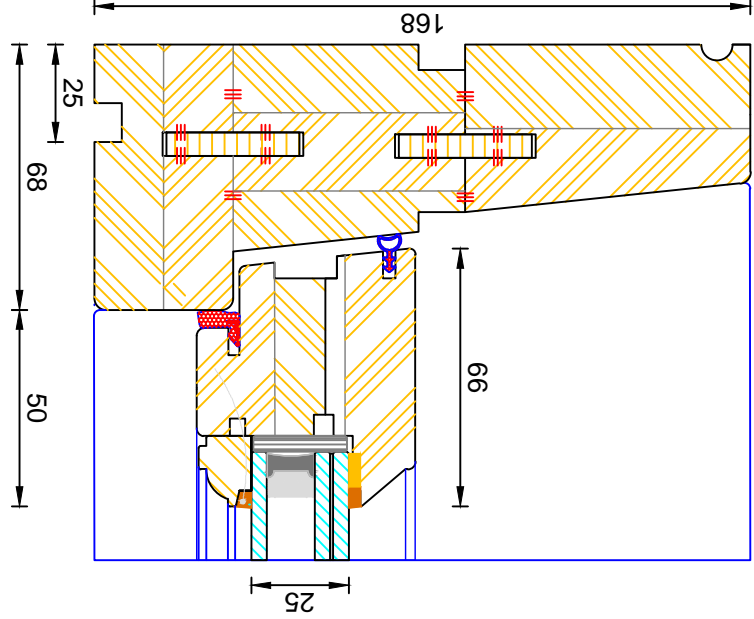


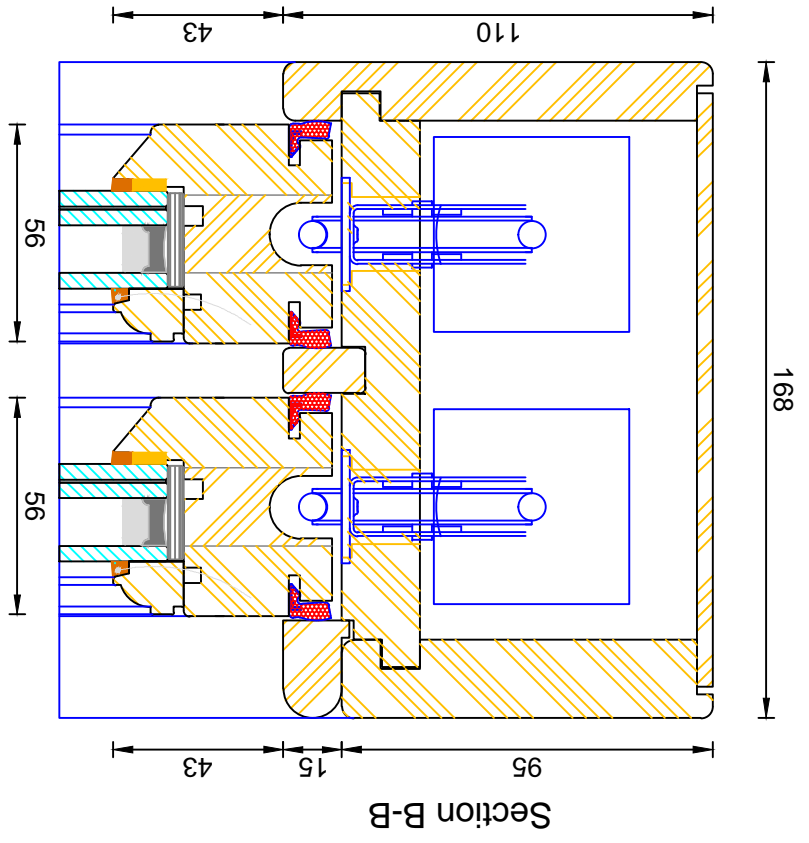
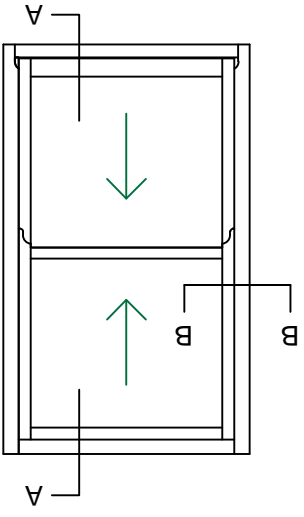
Traditional Sliding Sash Sections - Acoustic Rating 38dB

DIMENSIONS	MM	A2	1:1	24.10.2016	A
PLOT SIZE	SCALE	DATE	REV	DWG NO.	1940

Please consider the environment before printing



Typical sections showing acoustic glass - 8.8Aku/1Zar/4T (39 dB)
 For full sectional details please refer to our standard double glazed sections

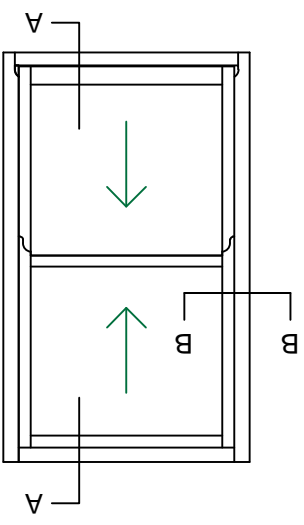


Section B-B

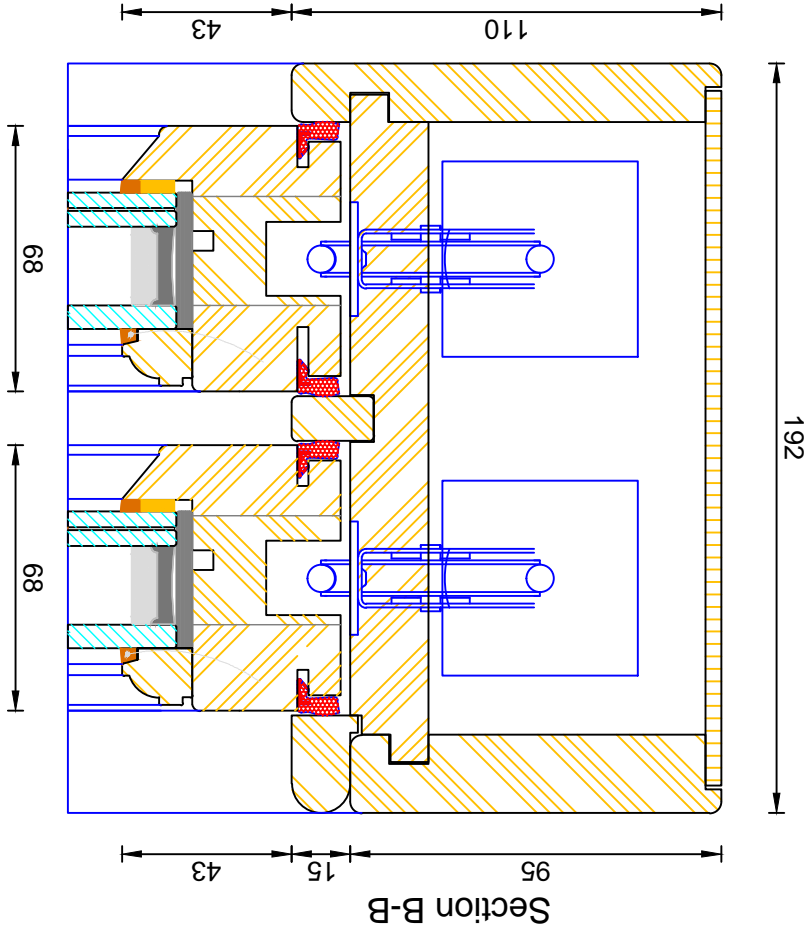
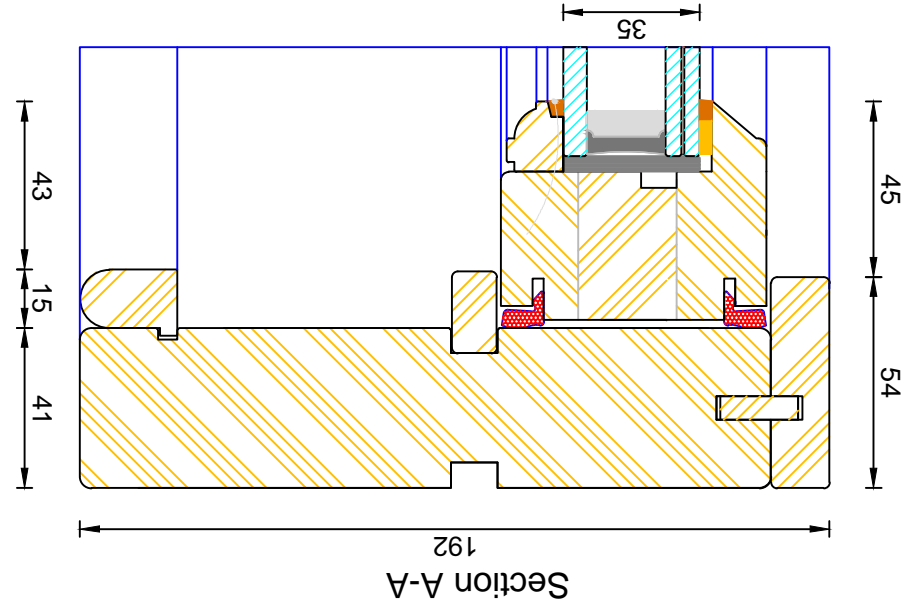
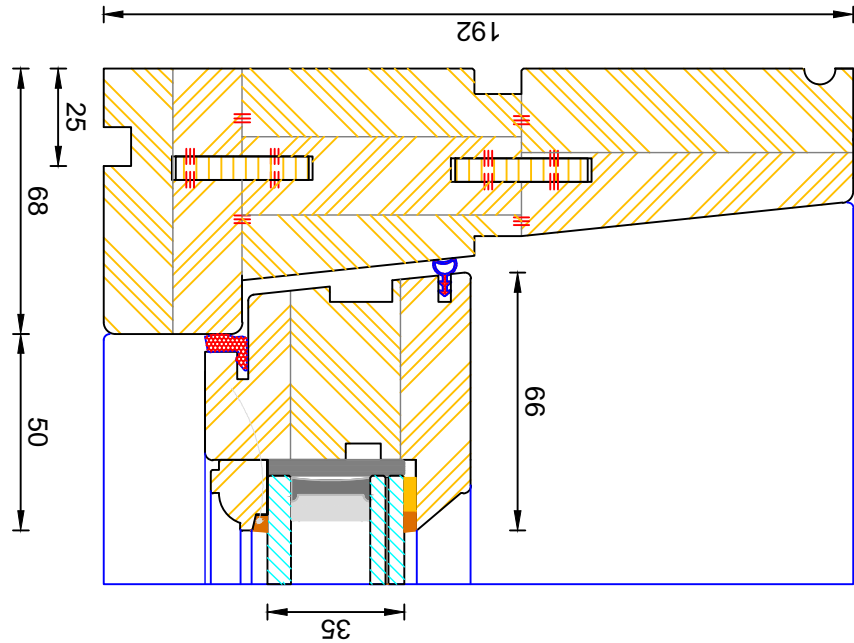
Traditional Sliding Sash Cords & Weights
Frame & Sash Sections - Acoustic Rating 41dB

DIMENSIONS	MM	A2	1:1	24.10.2016	A
PLOT SIZE	A2	SCALE	1:1	DATE	REV
DWG NO.					1941

Please consider the environment before printing

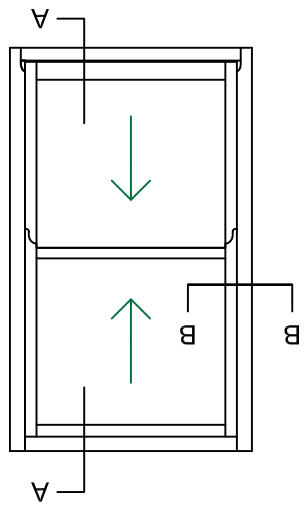


Typical sections showing acoustic glass - 8.8Aku/20ar/6T (42 dB)
 For full sectional details please refer to our standard double glazed sections



Section B-B

Section A-A



Typical sections showing acoustic glass - 9.5/16Ar/8.8T(Aku) CG A 1.0 (45dB)
 For full sectional details please refer to our standard double glazed sections

