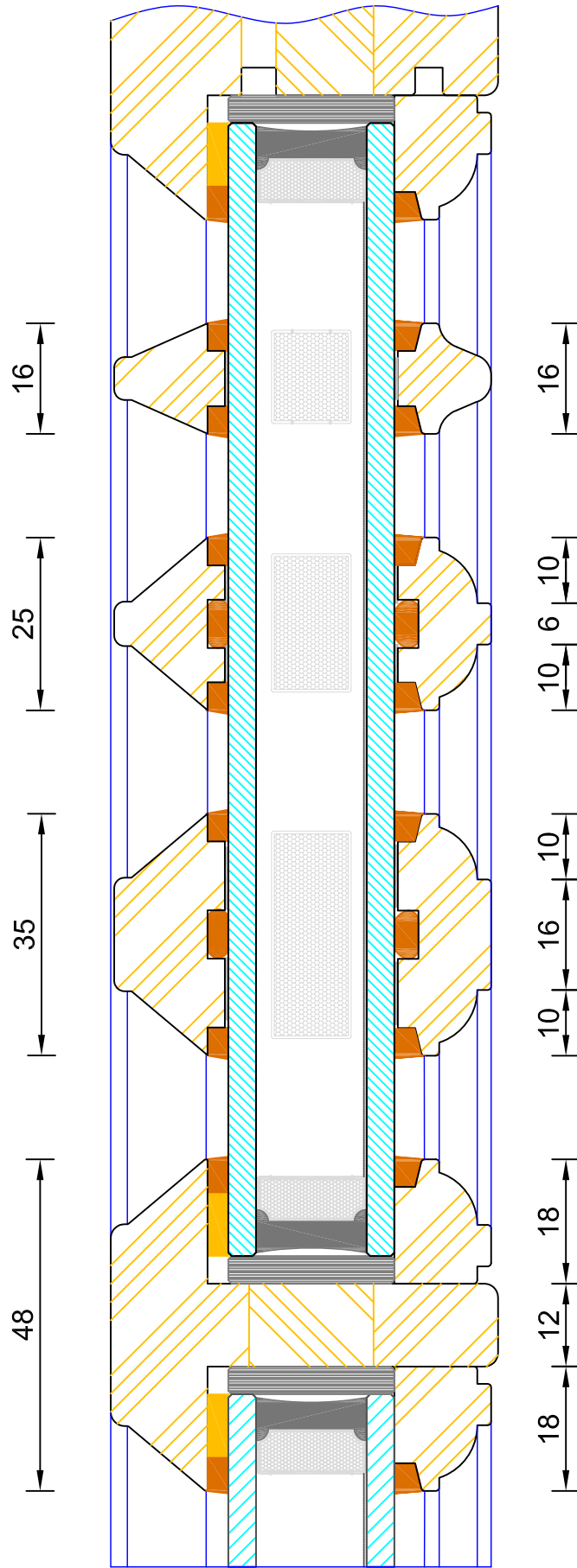
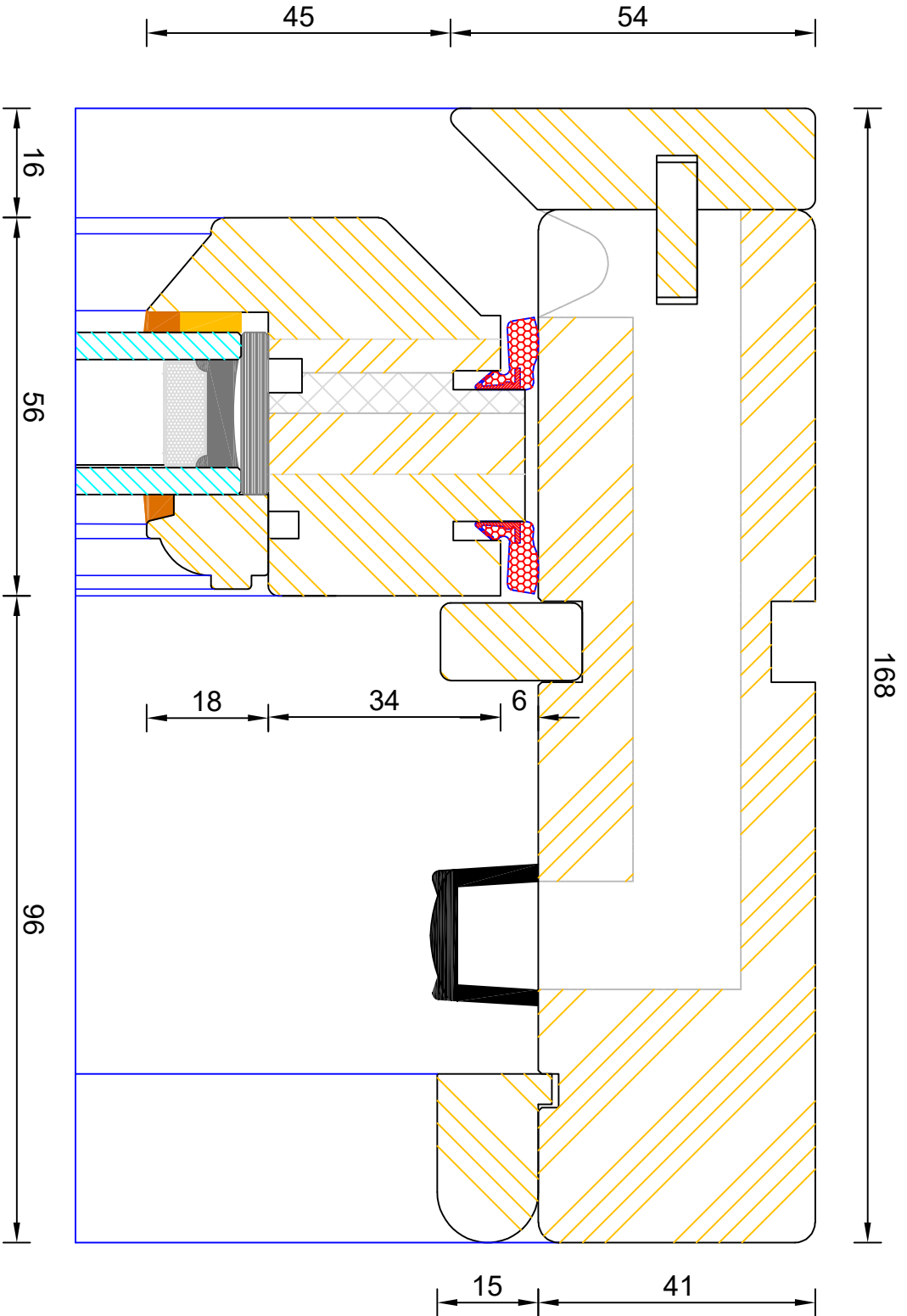
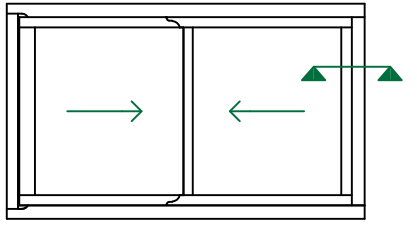


DIMENSIONS	PLOT SIZE	SCALE	DATE	REV	DWG NO.
MM	A4	1:1	15.10.2019	B	1901



Traditional Sliding Sash Cords & Weights Bar Options

DIMENSIONS	PLOT SIZE	SCALE	DATE	REV	DWG NO.
MM	A4	1:1	01.01.2019	B	1902
Please consider the environment before printing					



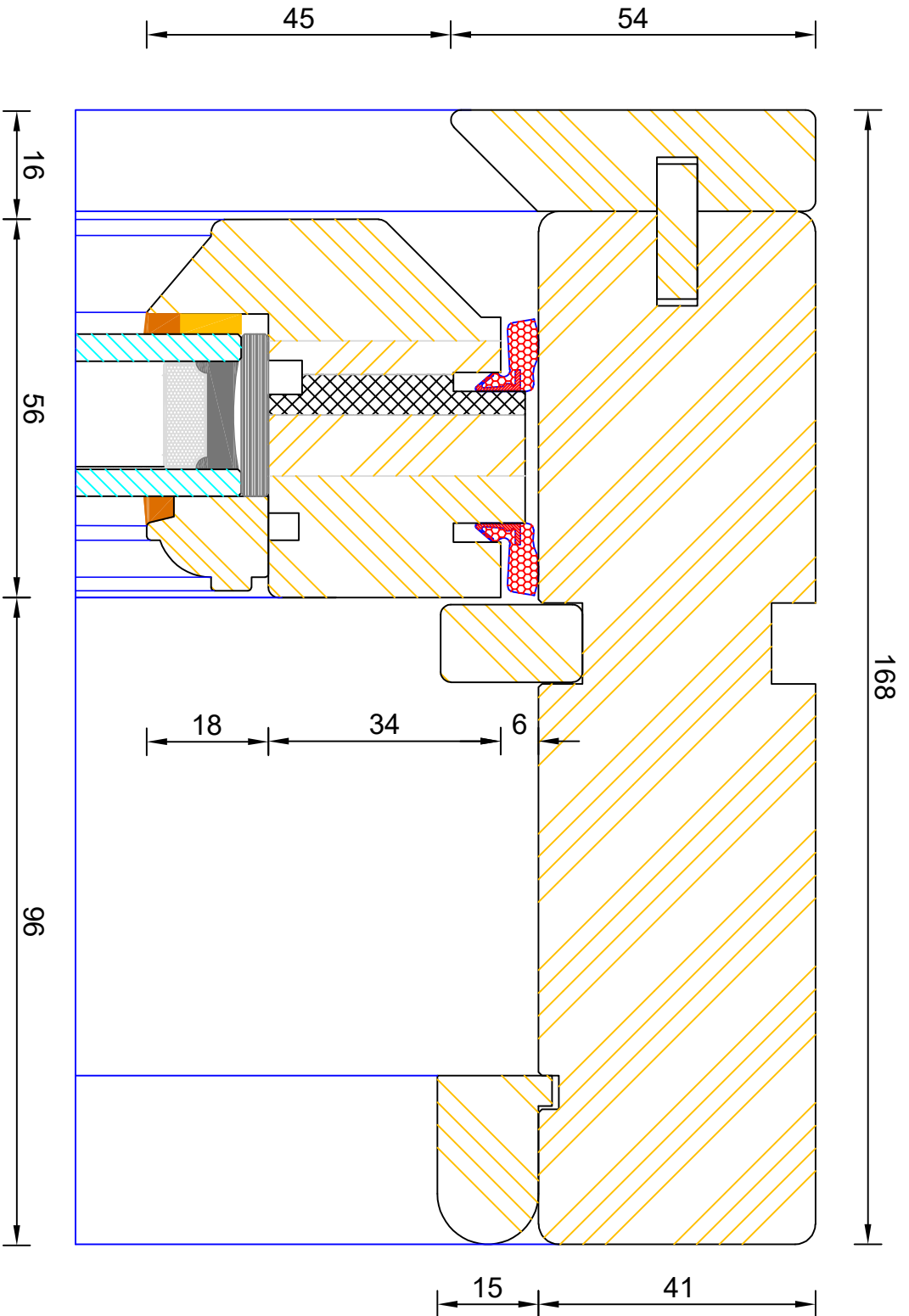
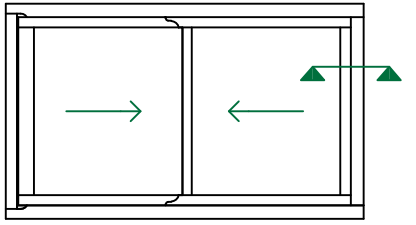
Berenco

**Traditional Sliding Sash Cords & Weights
Frame & Sash Head (With Vent)**

DIMENSIONS	PLOT SIZE	SCALE	DATE	REV	DWG NO.
MM	A4	1:1	08.08.2022	B	1903.2

Please consider the environment before printing

Note: Detail Used
1/ If order has vents specified



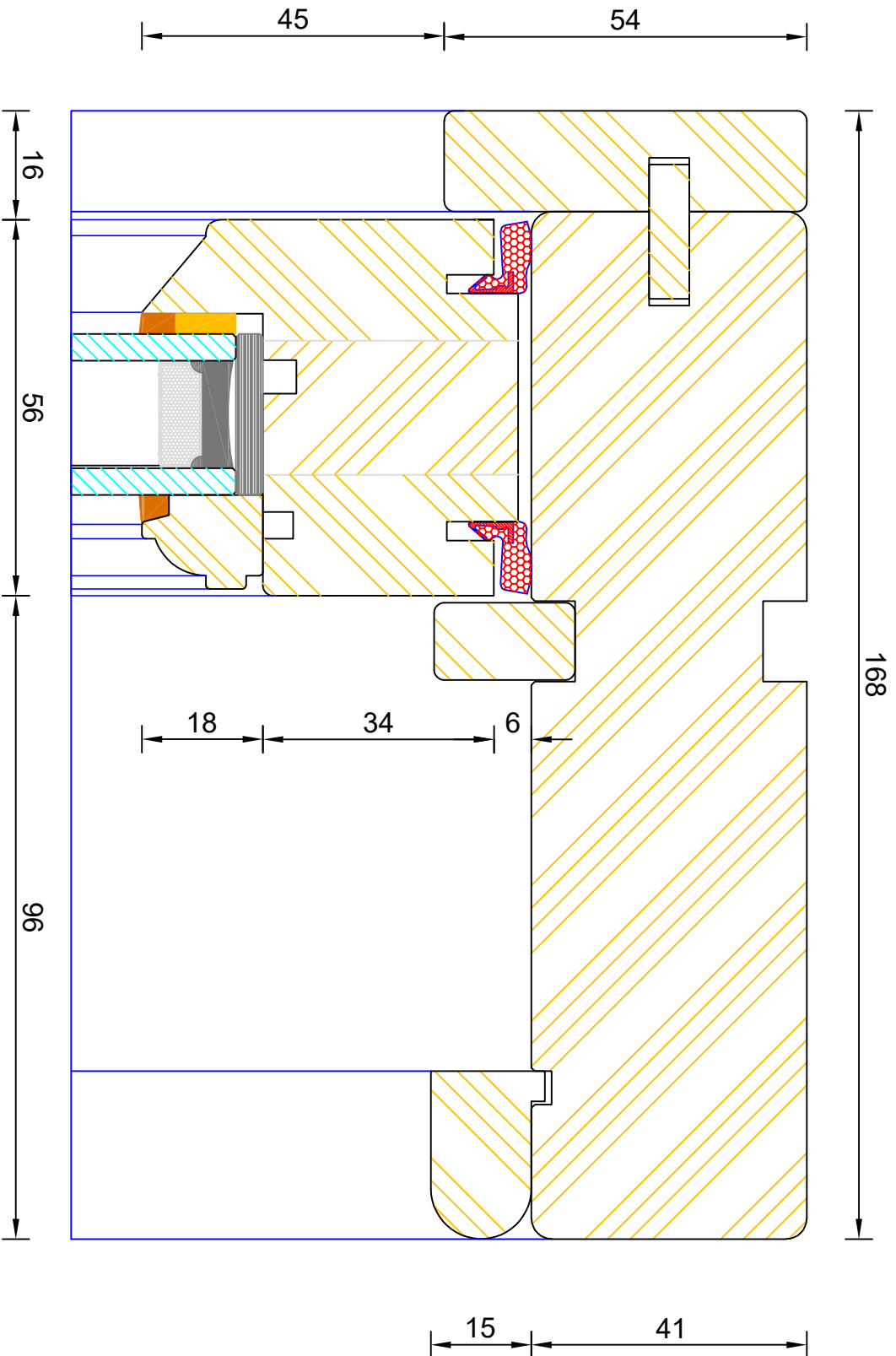
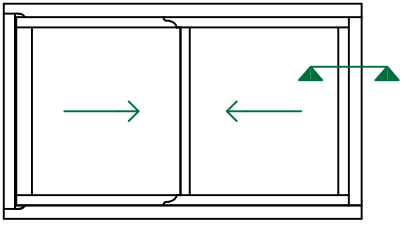
Berenco

**Traditional Sliding Sash Cords & Weights
Frame & Sash Head (Without Vent)**

DIMENSIONS	PLOT SIZE	SCALE	DATE	REV	DWG. NO.
MM	A4	1:1	08.08.2022	B	1903.1

Please consider the environment before printing

Note: Detail Used
1/ If order has a mixture of windows with and without vents



Traditional Sliding Sash Cords & Weights Frame & Sash Head

DIMENSIONS	PLOT SIZE	SCALE	DATE	REV	DWG NO.
MM	A4	1:1	08.08.2022	B	1903.2

Please consider the environment before printing

Note: Detail Used
 1/ Windows with a curved head
 2/ Straight head without vent specified to all windows

If order has a mixture with and without vents then all windows will have vent detail profile. See drawing number 1903.1 & 1903.3

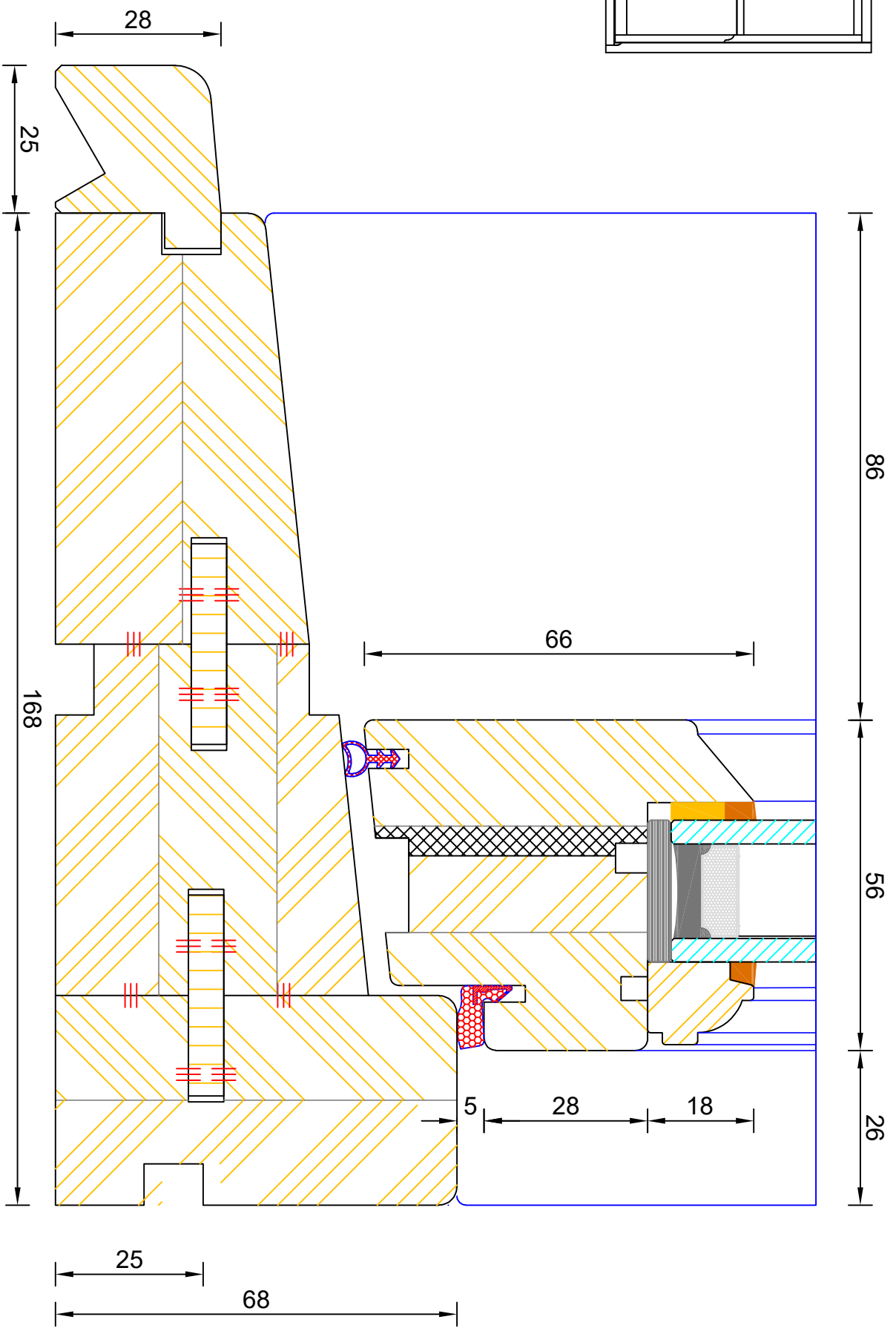
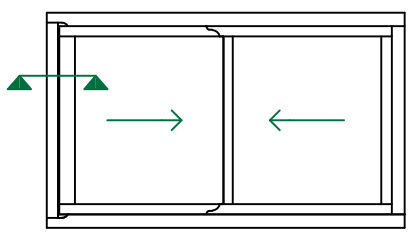


Berenco

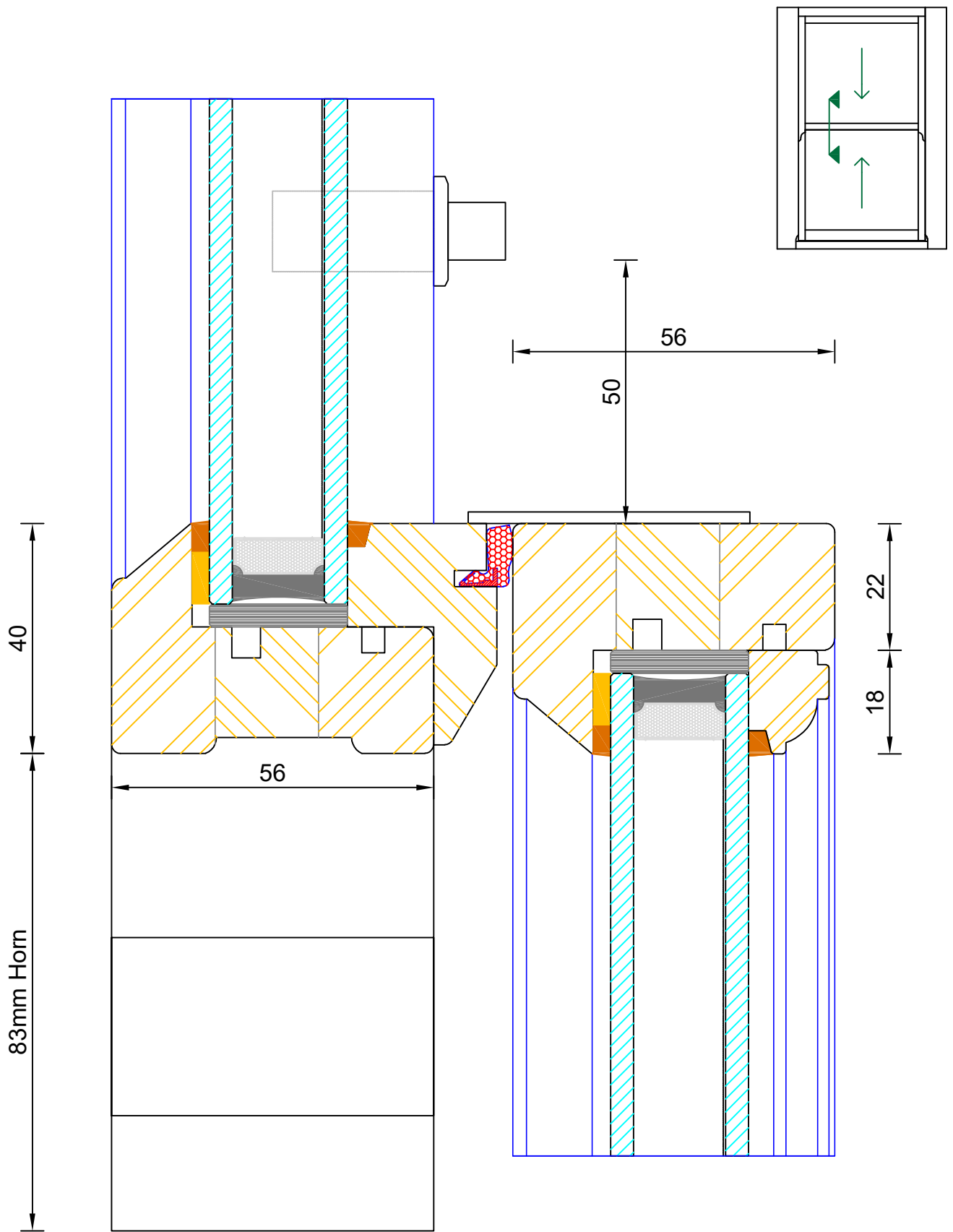
Traditional Sliding Sash Cords & Weights Frame & Sash Cill

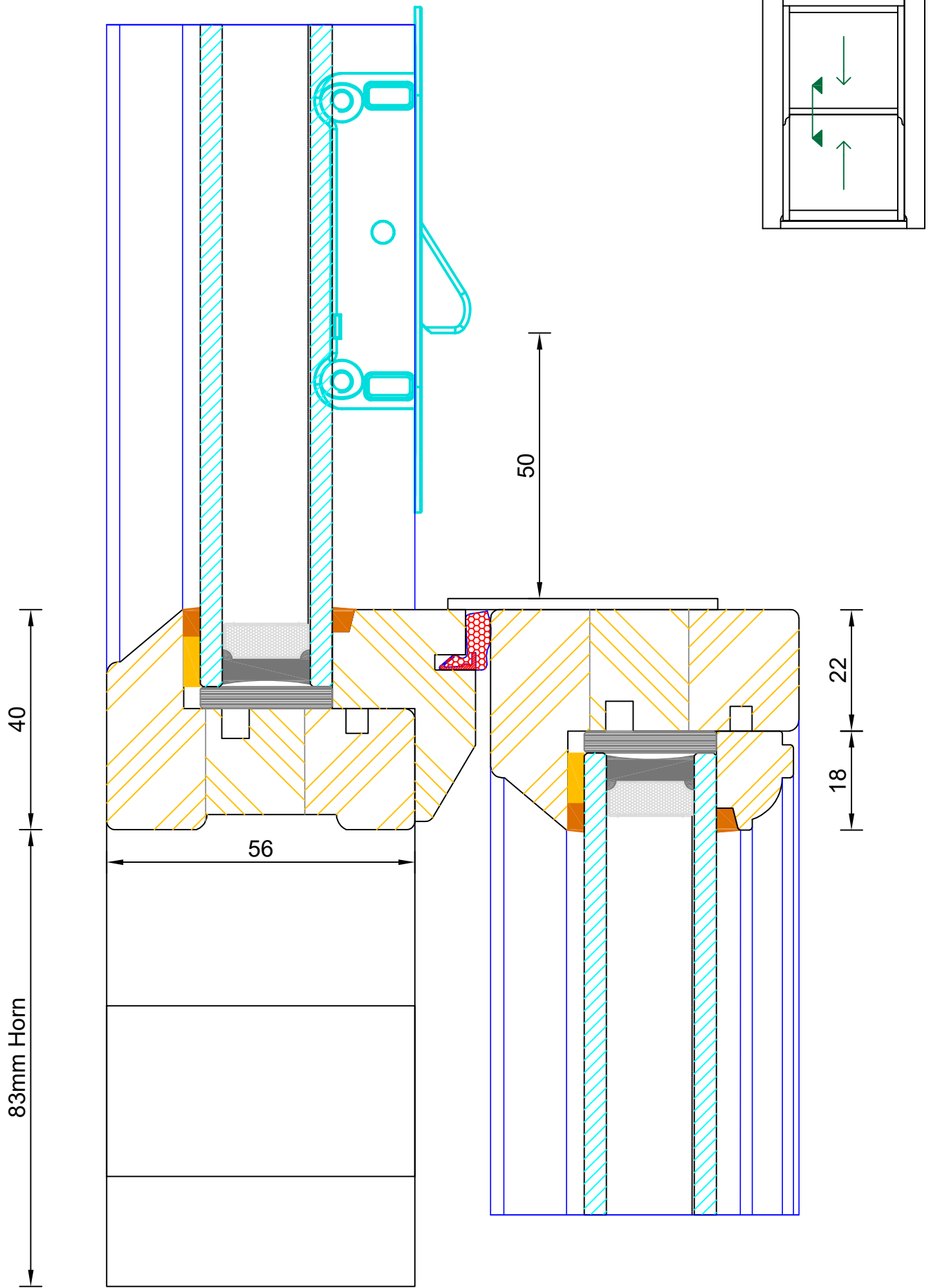
DIMENSIONS	PLOT SIZE	SCALE	DATE	REV	DWG. NO.
MM	A4	1:1	08.08.2022	B	1904

Please consider the environment before printing



CILL EXTENSION - available options:
 25mm (193mm o/a) / 47mm (215mm o/a) /
 62mm (230mm o/a) / 87mm (255mm o/a) /
 100mm (268mm o/a) / 114mm (282mm o/a) /
 140mm (308mm o/a)





Traditional Sliding Sash Cords & Weights
Meeting Rail - Angel Lock

DIMENSIONS	PLOT SIZE	SCALE	DATE	REV	DWG NO.
MM	A4	1:1	08.08.2022	B	1905.1
Please consider the environment before printing					

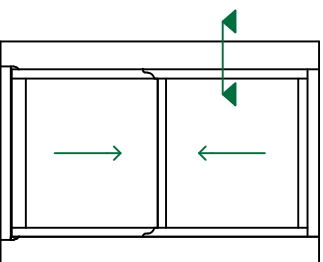
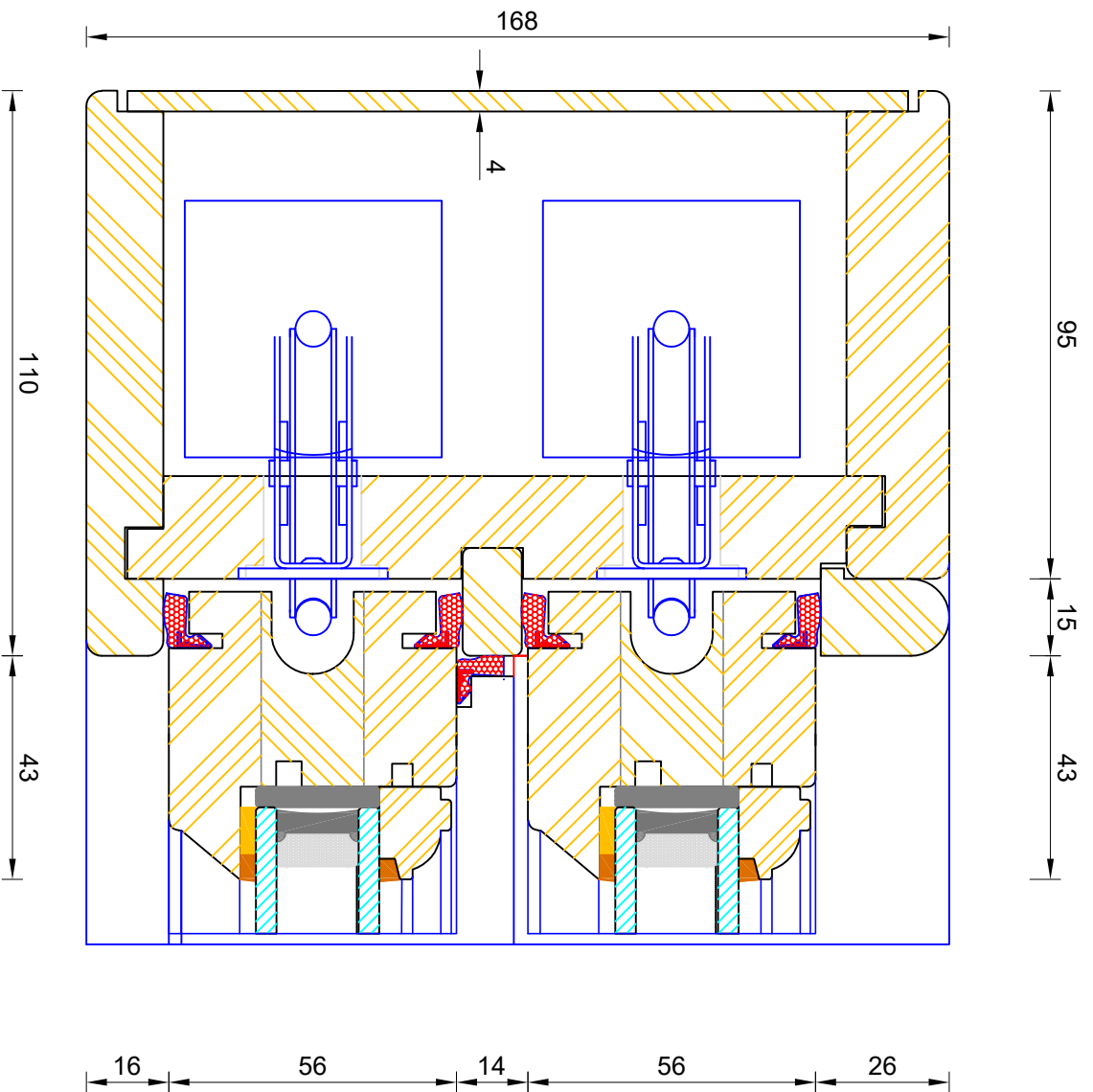


Berenco

Traditional Sliding Sash Cords & Weights Frame & Sash Jamb (Standard)

DIMENSIONS	PLOT SIZE	SCALE	DATE	REV	DWG NO.
MM	A3	1:1	08.08.2022	B	1906

Please consider the environment before printing



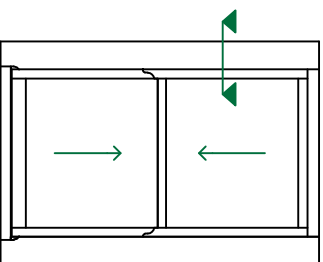
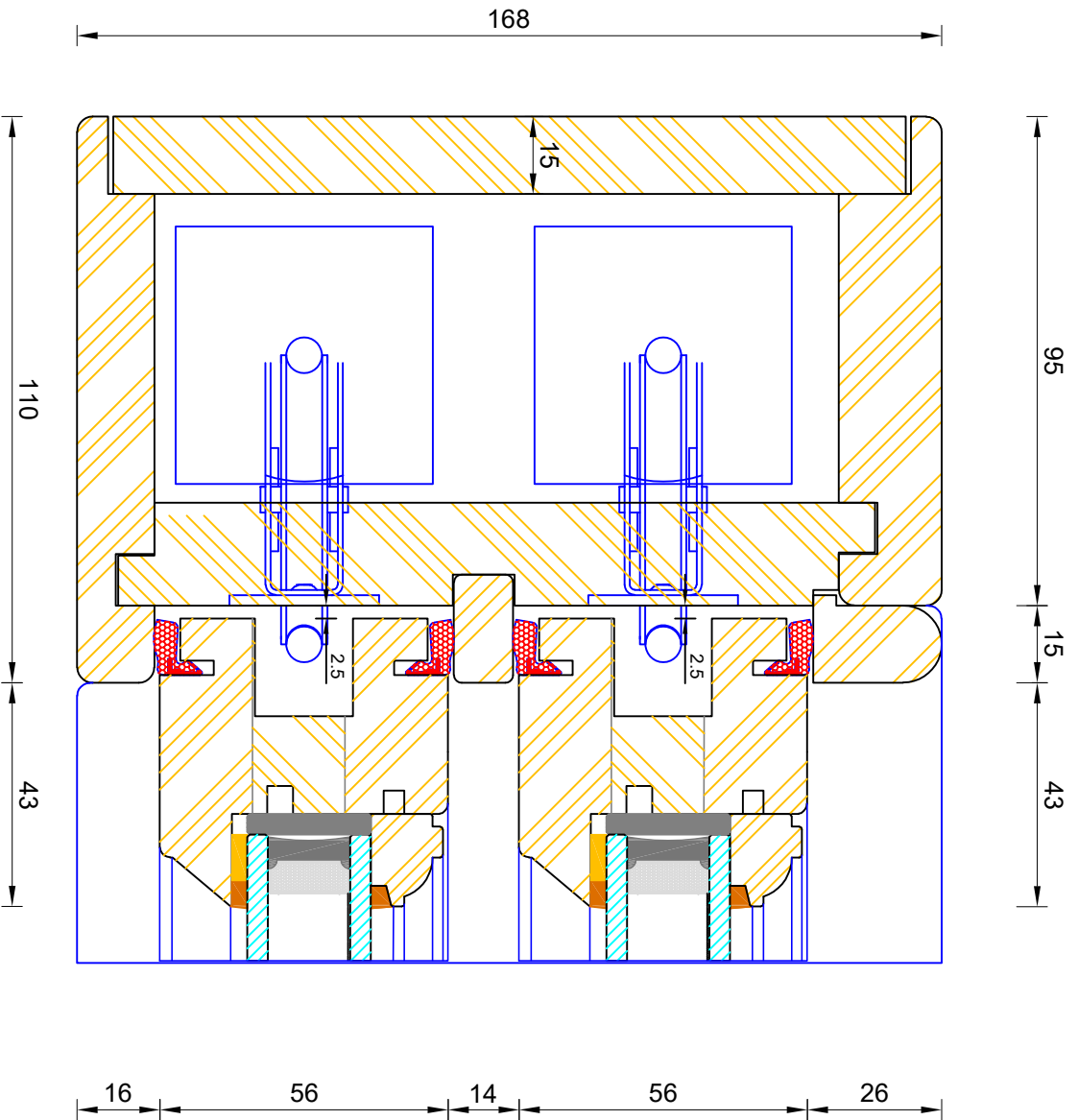


Berenco

Traditional Sliding Sash Cords & Weights Frame & Sash Jamb (Optional)

DIMENSIONS	PLOT SIZE	SCALE	DATE	REV	DWG NO.
MM	A3	1:1	08.08.2022	B	1907

Please consider the environment before printing



Standard Box Section for Factory -
coupling only, internal profiled cover
facing standard, external cover facing
optional (to be confirmed if required)

153mm (based on 153mm wide stone mullion)

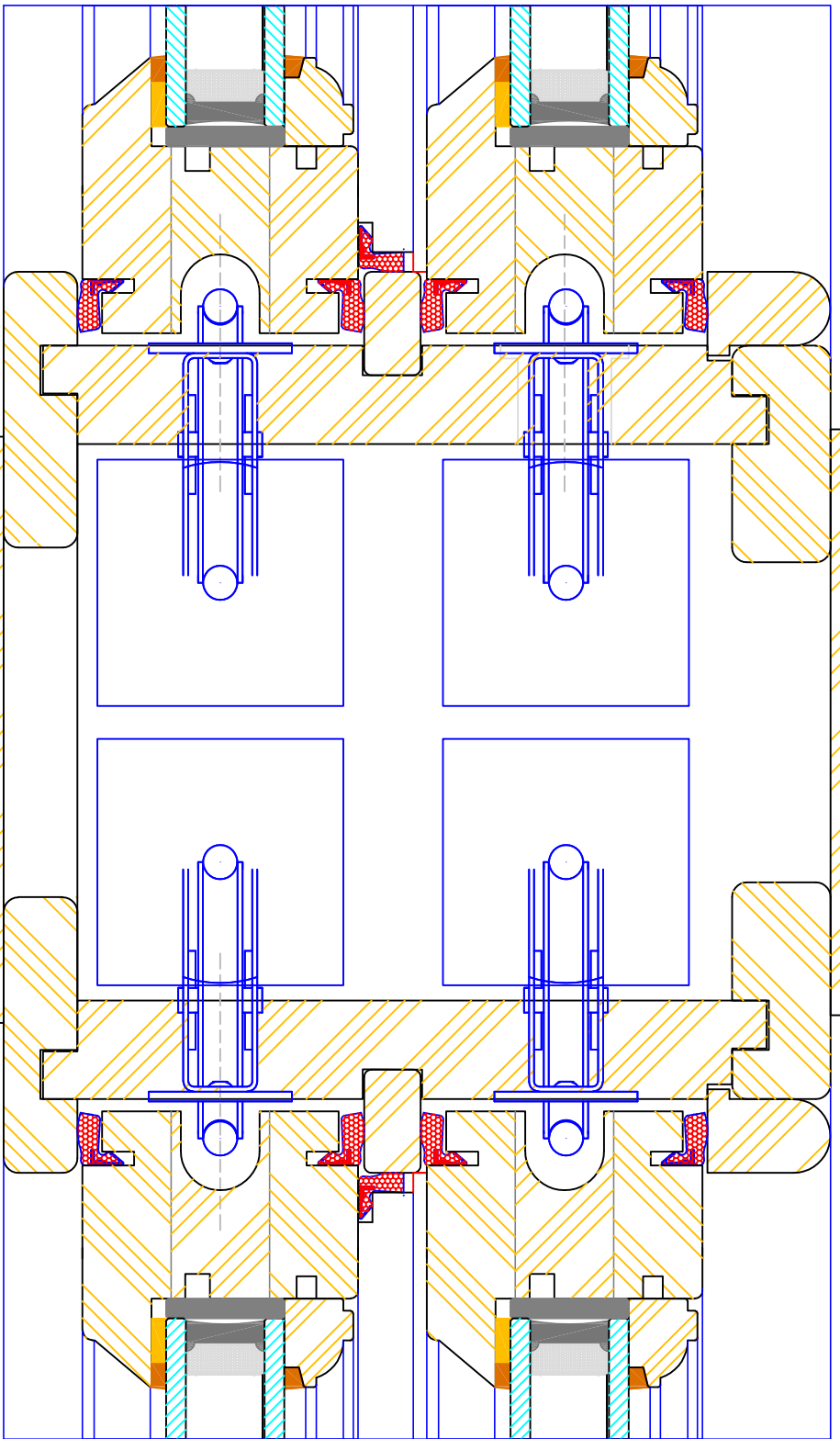
119

Internal Cover Facing as Standard

15
17

17
15
43

16 56 14 56 26



16 56 14 56 26

External Cover Facing optional (not
required for existing stone mullion)

56

71

56

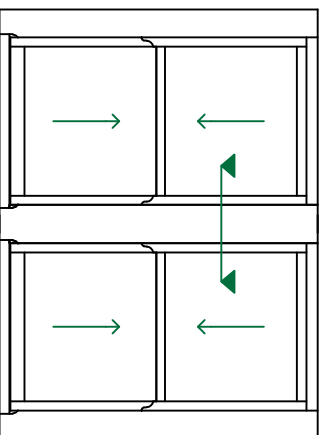
Contemporary Sliding Sash Cords & Weights
Frame & Sash Box Mullion (Factory Coupled)

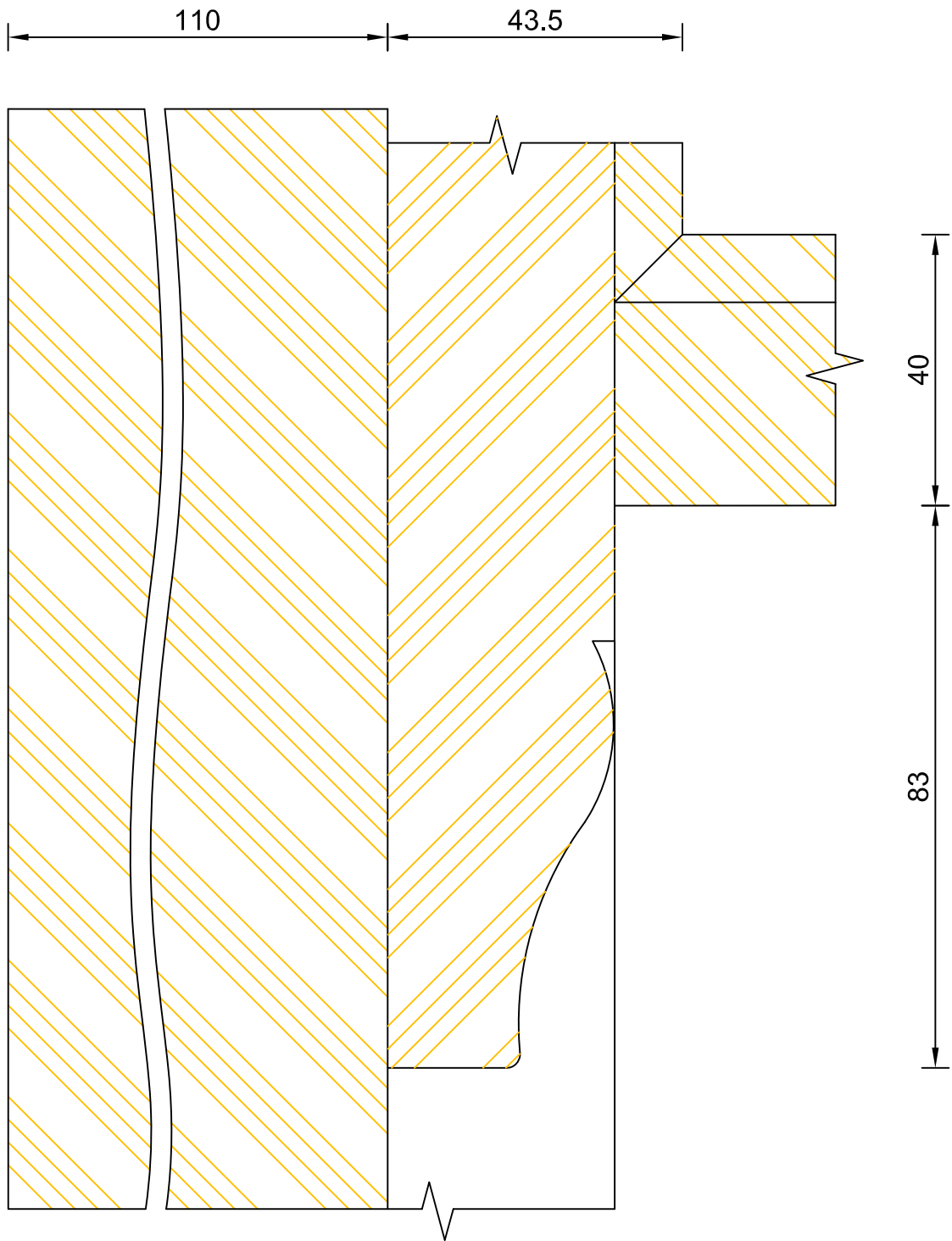
DIMENSIONS	PLOT SIZE	SCALE	DATE	REV	DWG NO.
MM	A3	1:1	08.08.2022	B	1908

Please consider the environment before printing



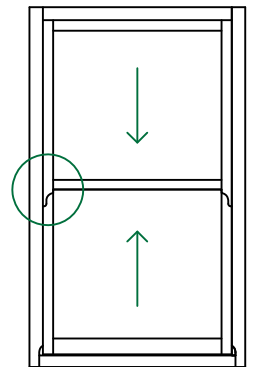
Berenco





Horn Design: BELSAY

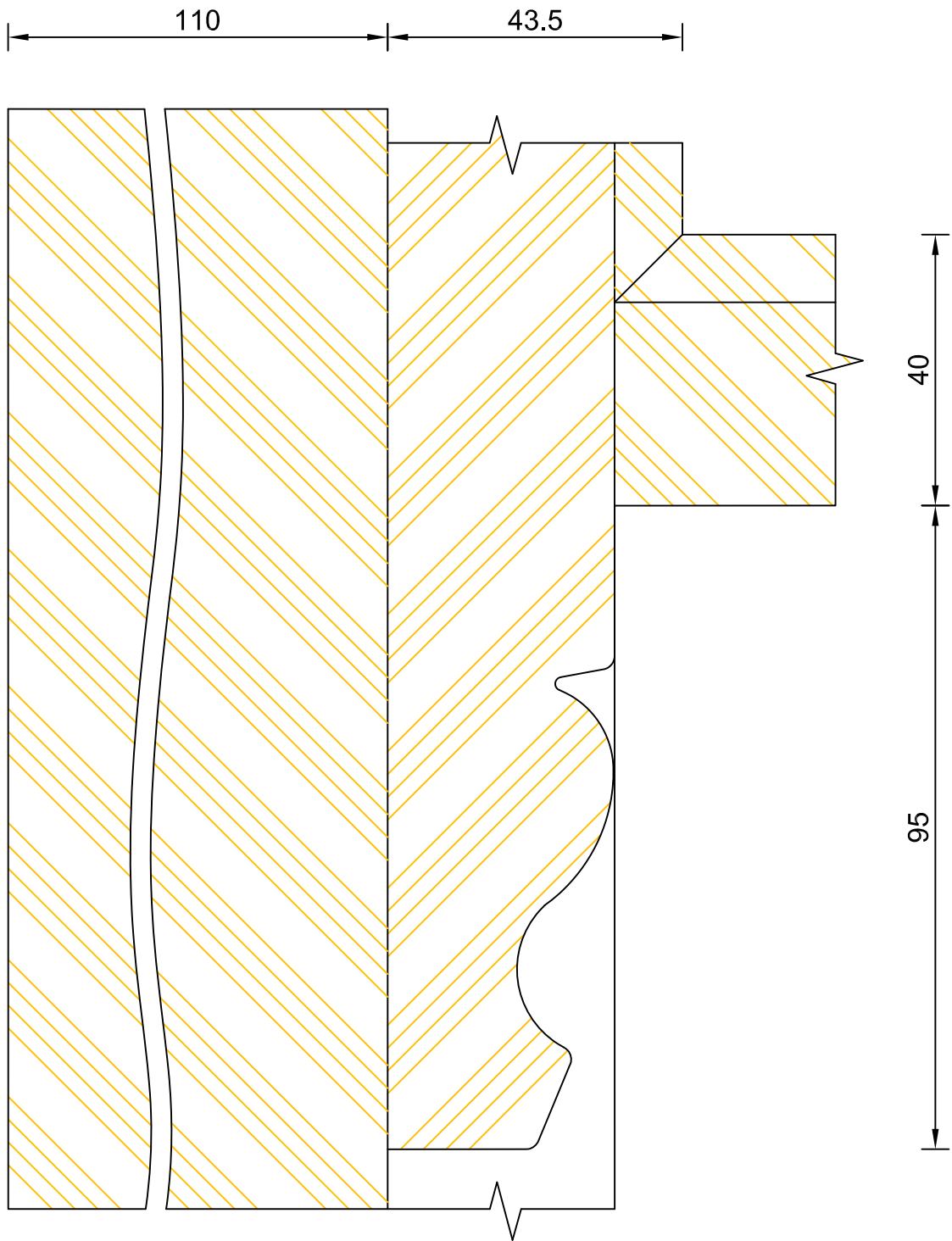
Top Sash Horn Viewed From Outside



Traditional Sliding Sash Cords & Weights Horns to Top Sash Only - Type B (Std Design)

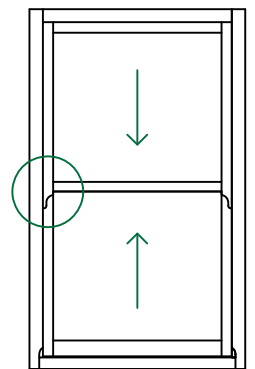
DIMENSIONS	PLOT SIZE	SCALE	DATE	REV	DWG NO.
MM	A4	1:1	10.04.2018	A	1909.1

Please consider the environment before printing



Horn Design: CAMBER

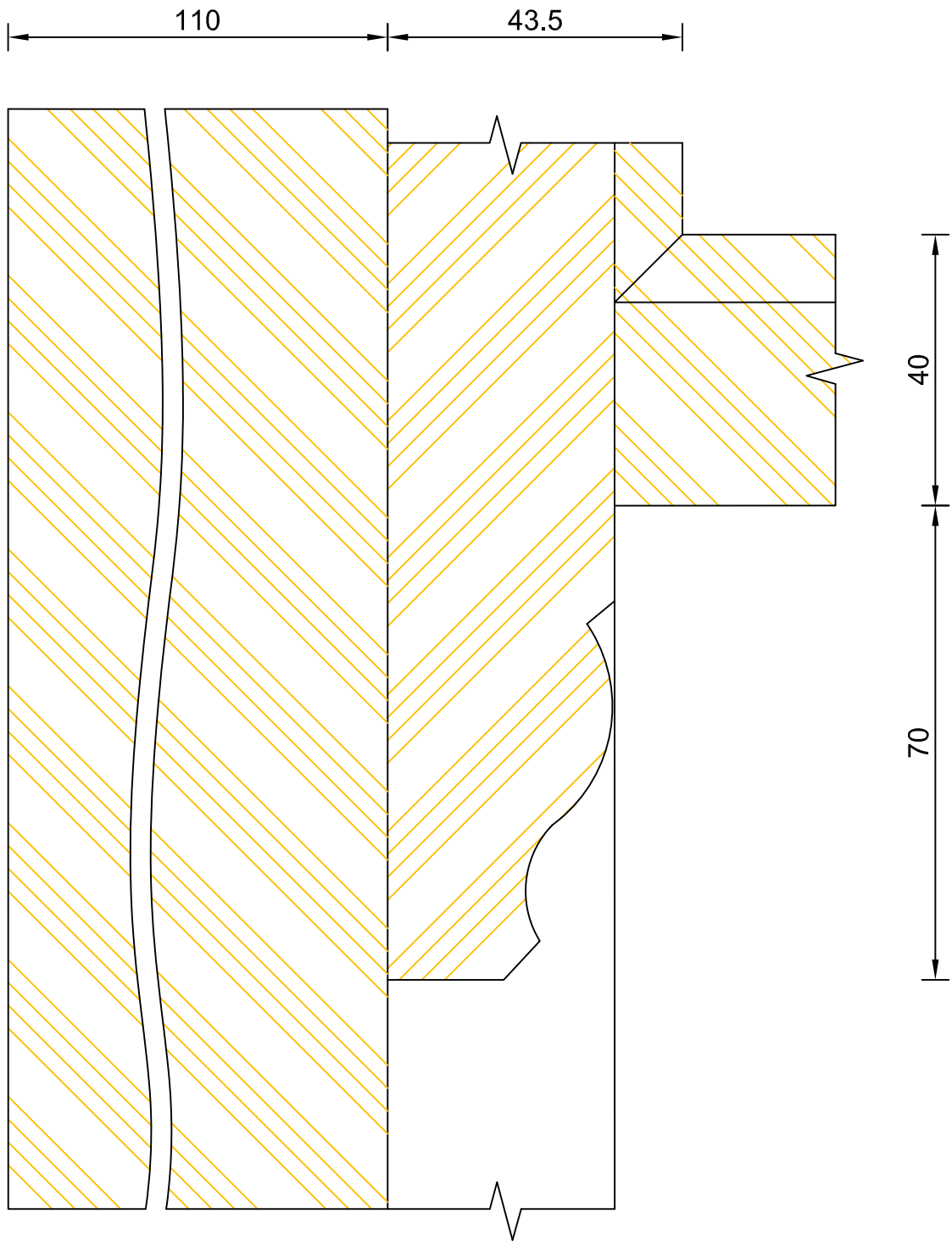
Top Sash Horn Viewed From Outside



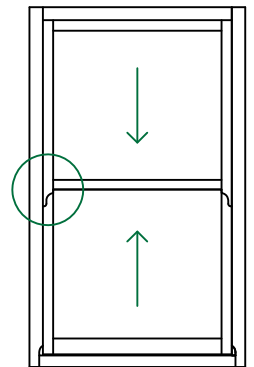
Traditional Sliding Sash Cords & Weights
 Horns to Top Sash Only - Type C (Design Option)

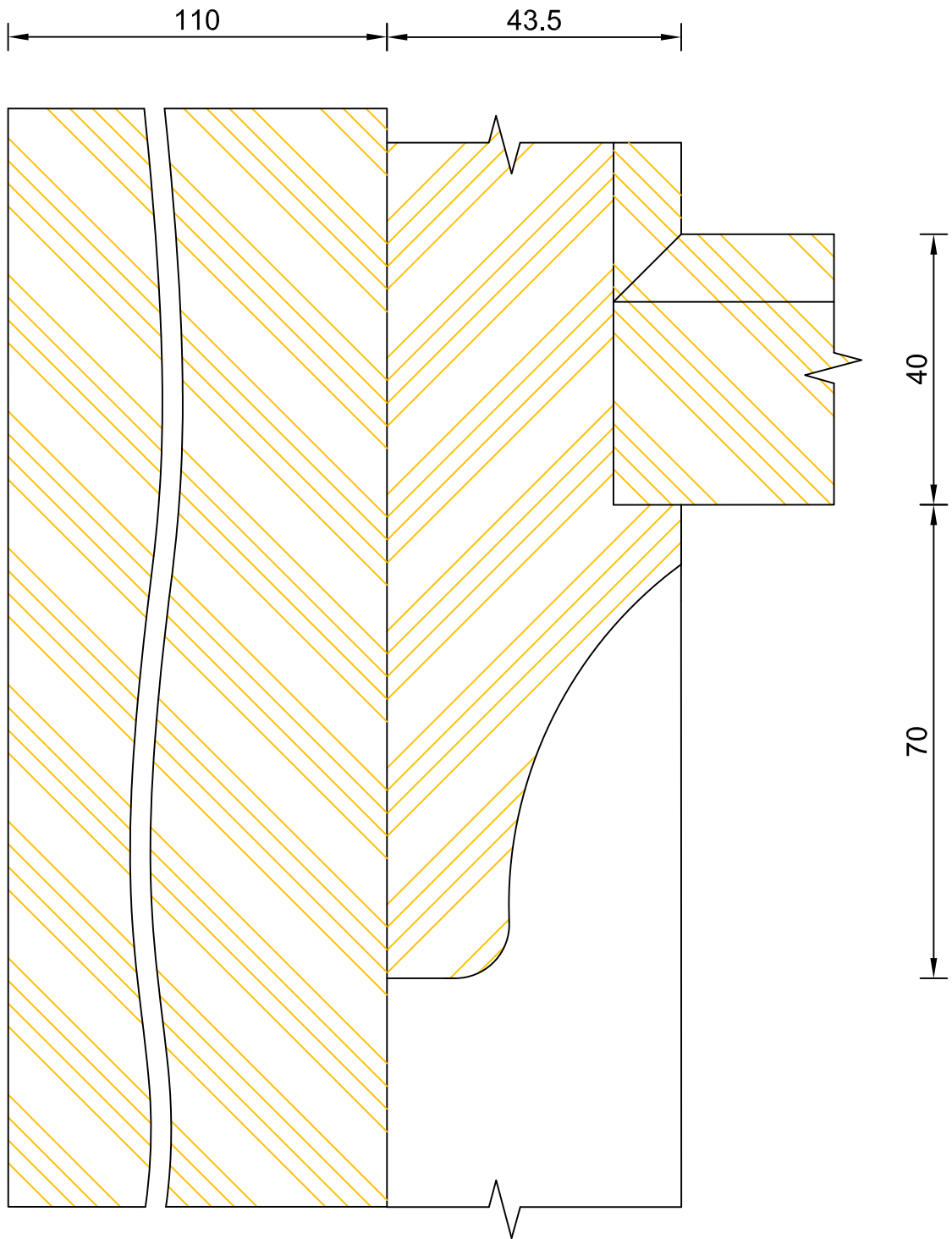
DIMENSIONS	PLOT SIZE	SCALE	DATE	REV	DWG NO.
MM	A4	1:1	10.04.2018	A	1909.2

Please consider the environment before printing

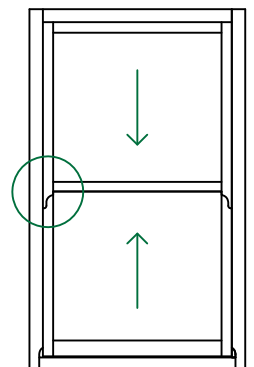


Horn Design: DALTON
Top Sash Horn Viewed From Outside



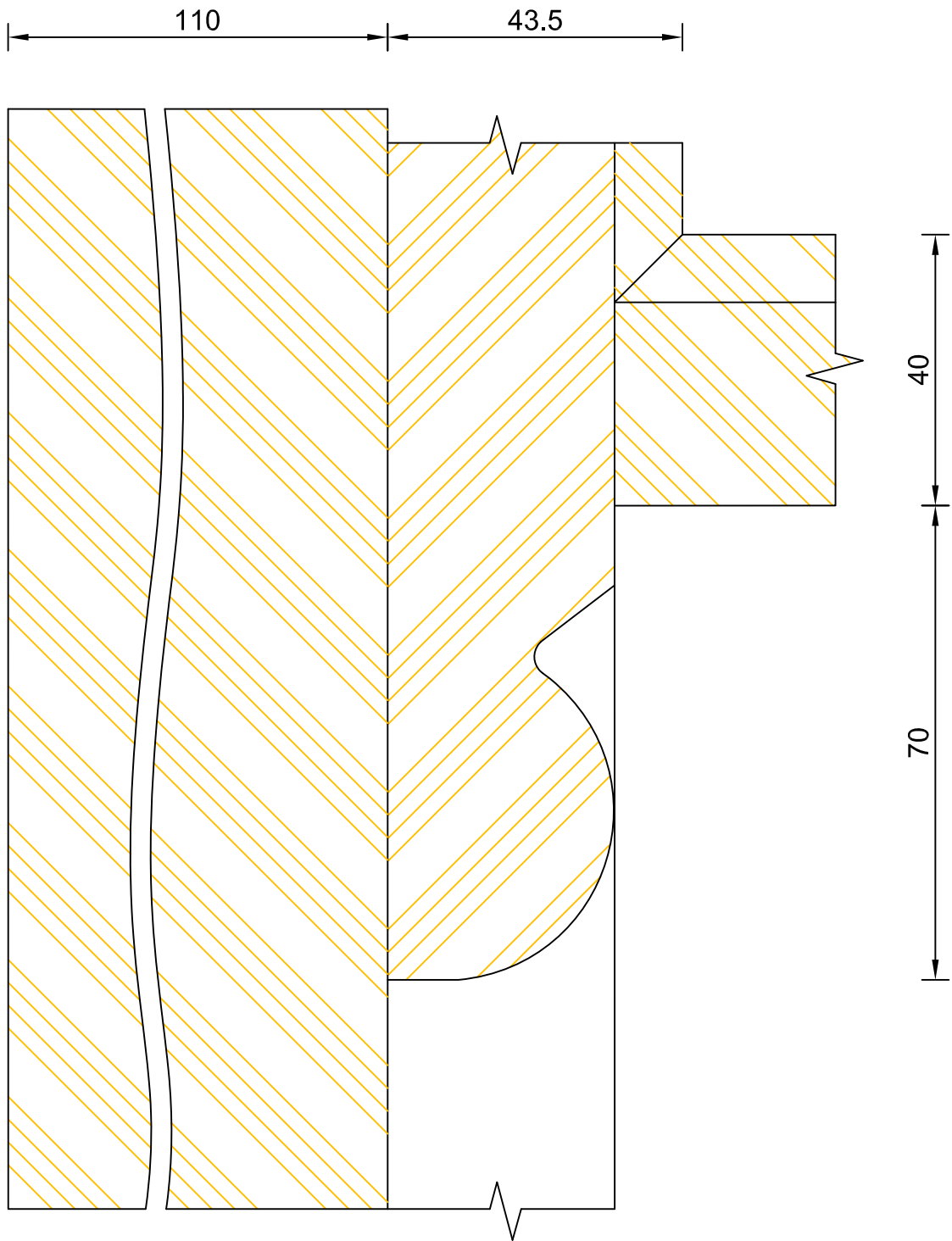


Horn Design: ELSDON
 Top Sash Horn Viewed From Outside

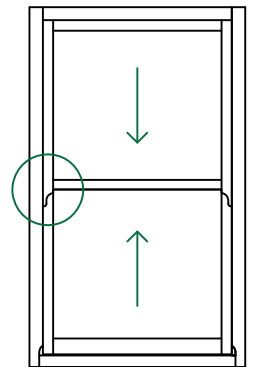


Traditional Sliding Sash Cords & Weights
 Horns to Top Sash Only - Type E (Design Option)

DIMENSIONS	PLOT SIZE	SCALE	DATE	REV	DWG NO.
MM	A4	1:1	10.04.2018	A	1909.4
Please consider the environment before printing					

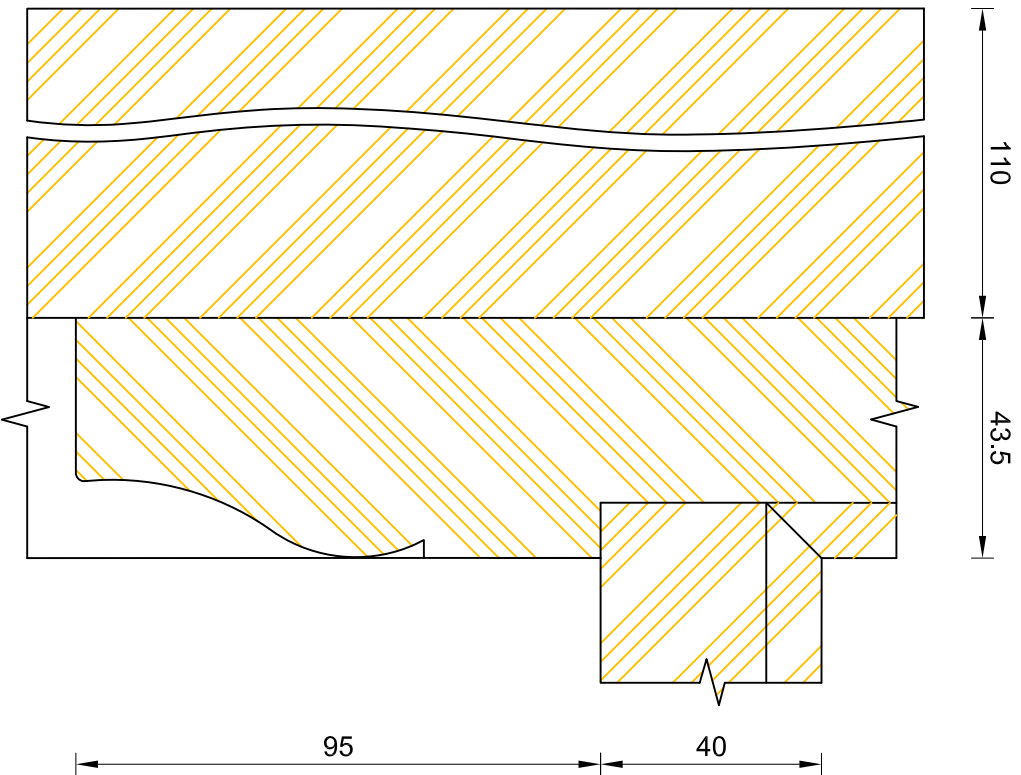


Horn Design: FARNHAM
 Top Sash Horn Viewed From Outside

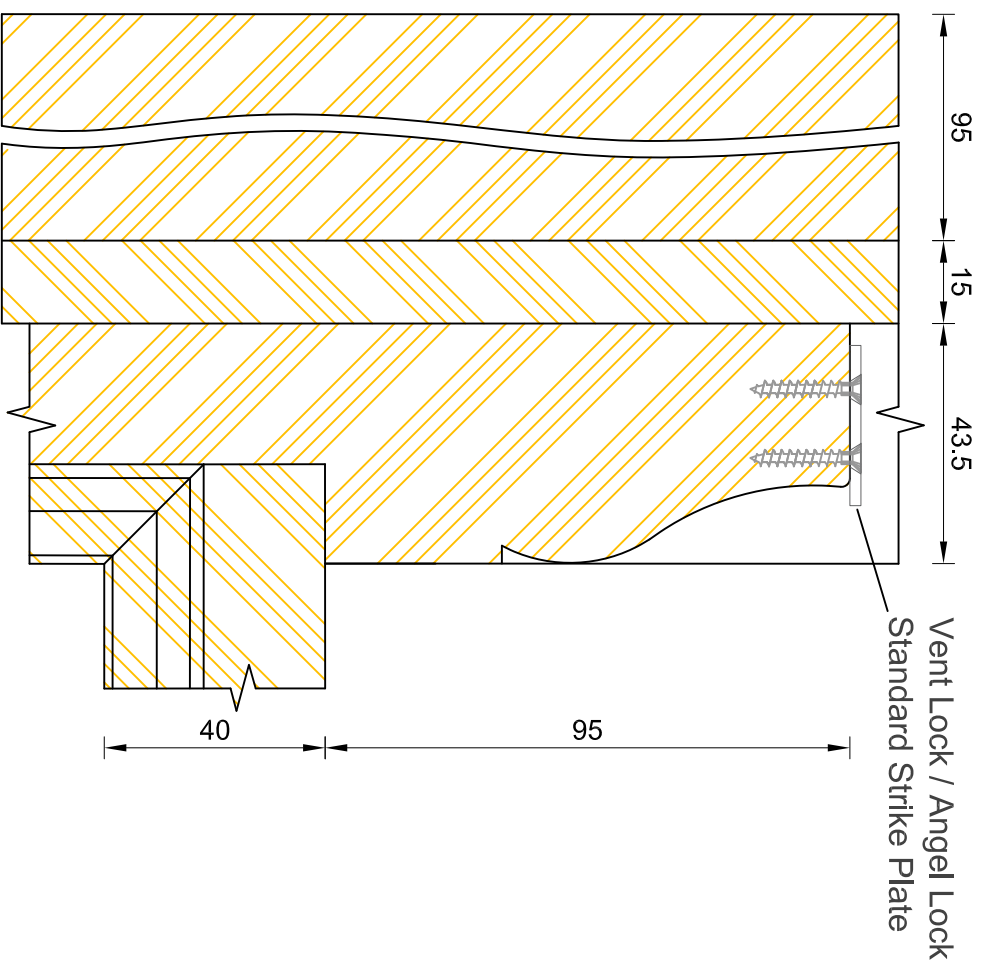


Traditional Sliding Sash Cords & Weights
 Horns to Top Sash Only - Type F (Design Option)

DIMENSIONS	PLOT SIZE	SCALE	DATE	REV	DWG NO.
MM	A4	1:1	10.04.2018	A	1909.5
Please consider the environment before printing					



Horn Design: AYDON
Top Sash Horn Viewed From Outside



Horn Design: AYDON
Bottom Sash Horn Viewed From Inside

Traditional Sliding Sash Cords & Weights

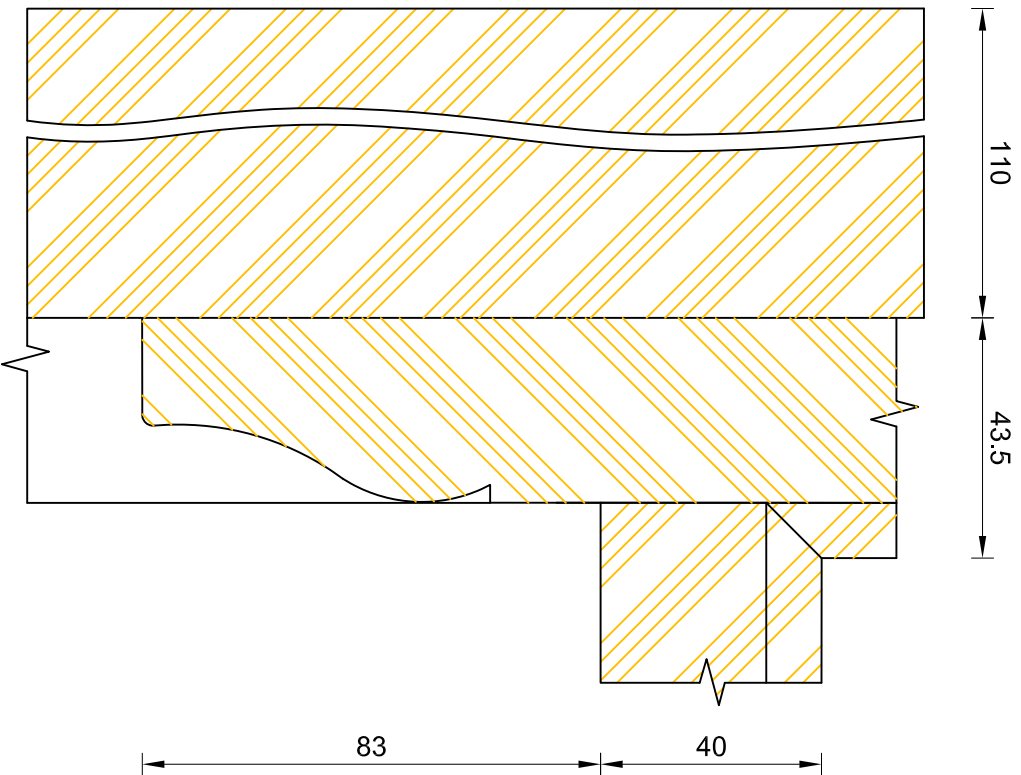
Horns to Top & Bottom Sashes - Type A (Std Design)

DIMENSIONS	PLOT SIZE	SCALE	DATE	REV	DWG. NO.
MM	A3	1:1	10.04.2018	A	

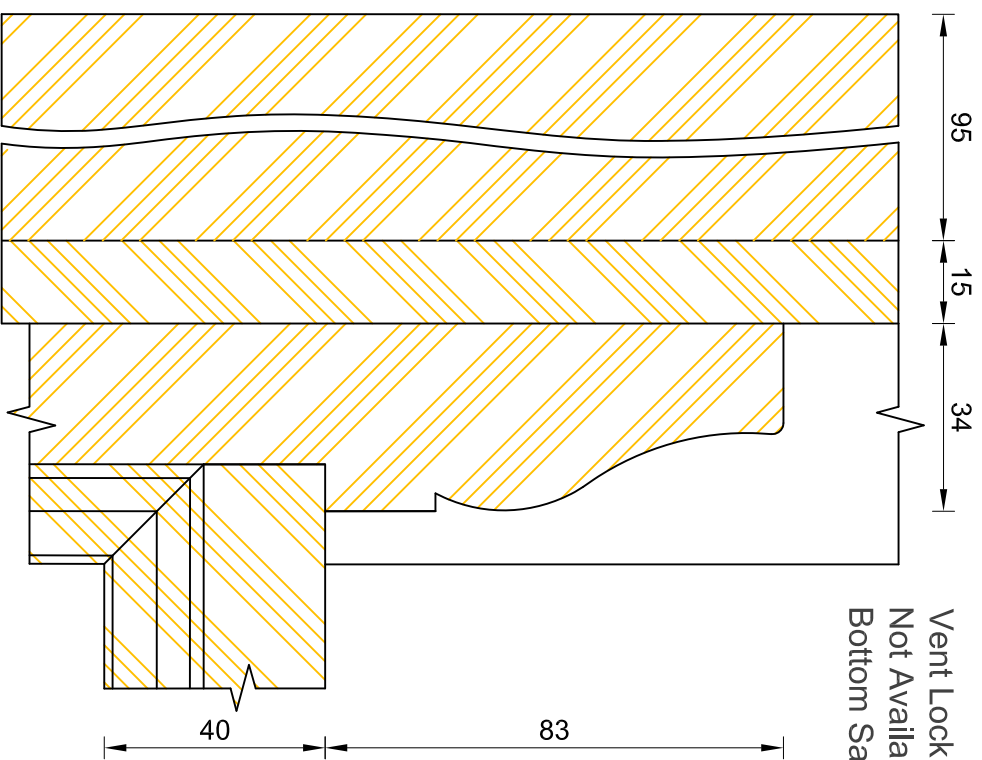
Please consider the environment before printing

1909.6

Note:
1/ Horn Type A used as standard when horns to top and bottom sashes and Vent Lock or Angel Locks are required; unless otherwise specified



Horn Design: BELSAY
Top Sash Horn Viewed From Outside



Vent Lock / Angel Lock
Not Available to Horn Type B
Bottom Sash

Horn Design: BELSAY
Bottom Sash Horn Viewed From Inside

Traditional Sliding Sash Cords & Weights

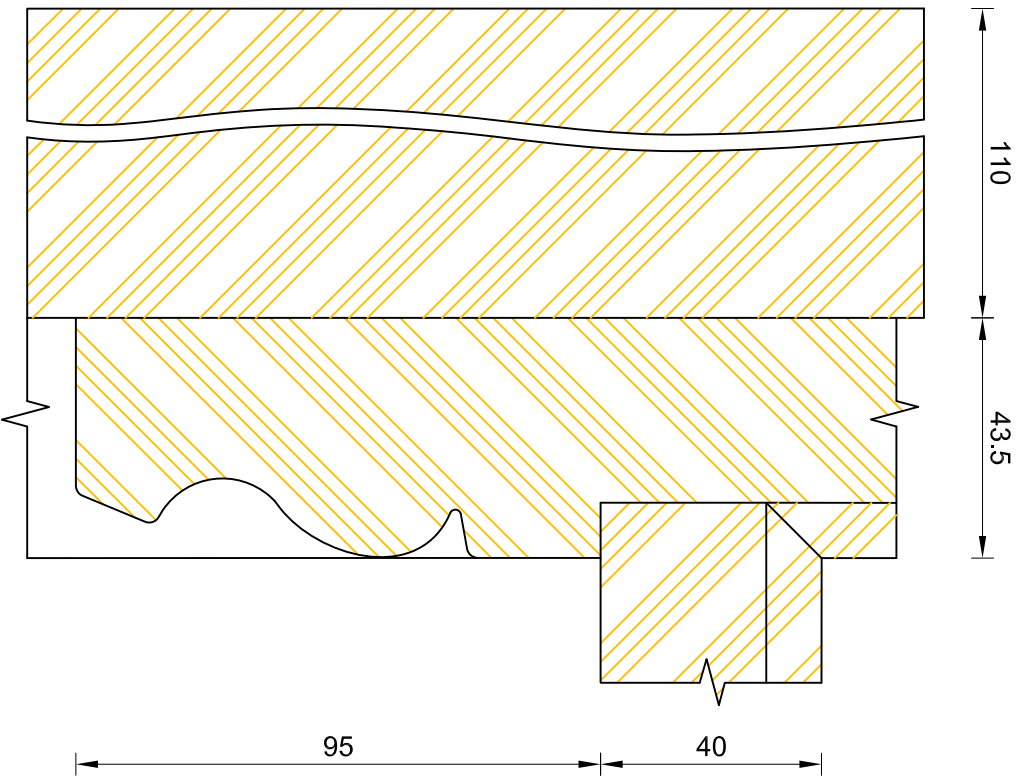
Horn to Top & Bottom Sashes - Type B (Std Design)

DIMENSIONS	PLOT SIZE	SCALE	DATE	REV	DWG. NO.
MM	A3	1:1	10.04.2018	A	1909.7

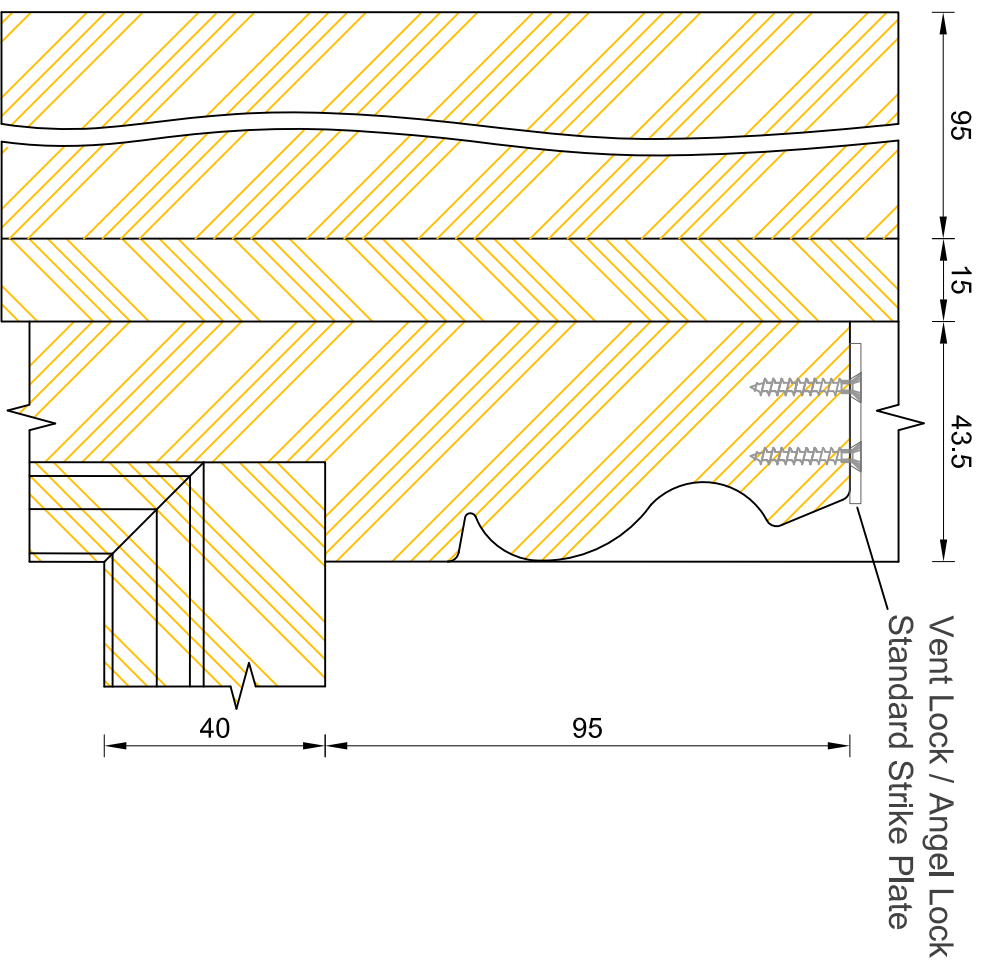
Please consider the environment before printing



Note:
1/ Horn Type B used as standard when horns to top and bottom sashes and no Vent Lock or Angel Locks are required; unless otherwise specified



Horn Design: CAMBER
 Top Sash Horn Viewed From Outside



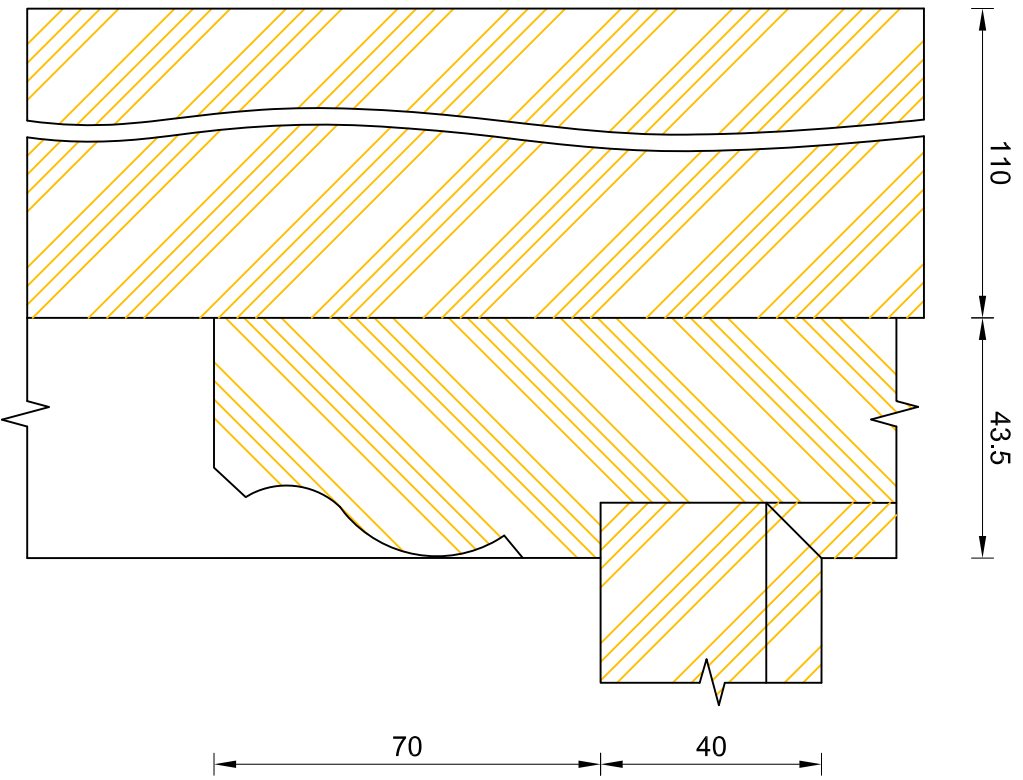
Horn Design: CAMBER
 Bottom Sash Horn Viewed From Inside

Traditional Sliding Sash Cords & Weights
 Horns to Top & Bottom Sashes - Type C (Design Option)

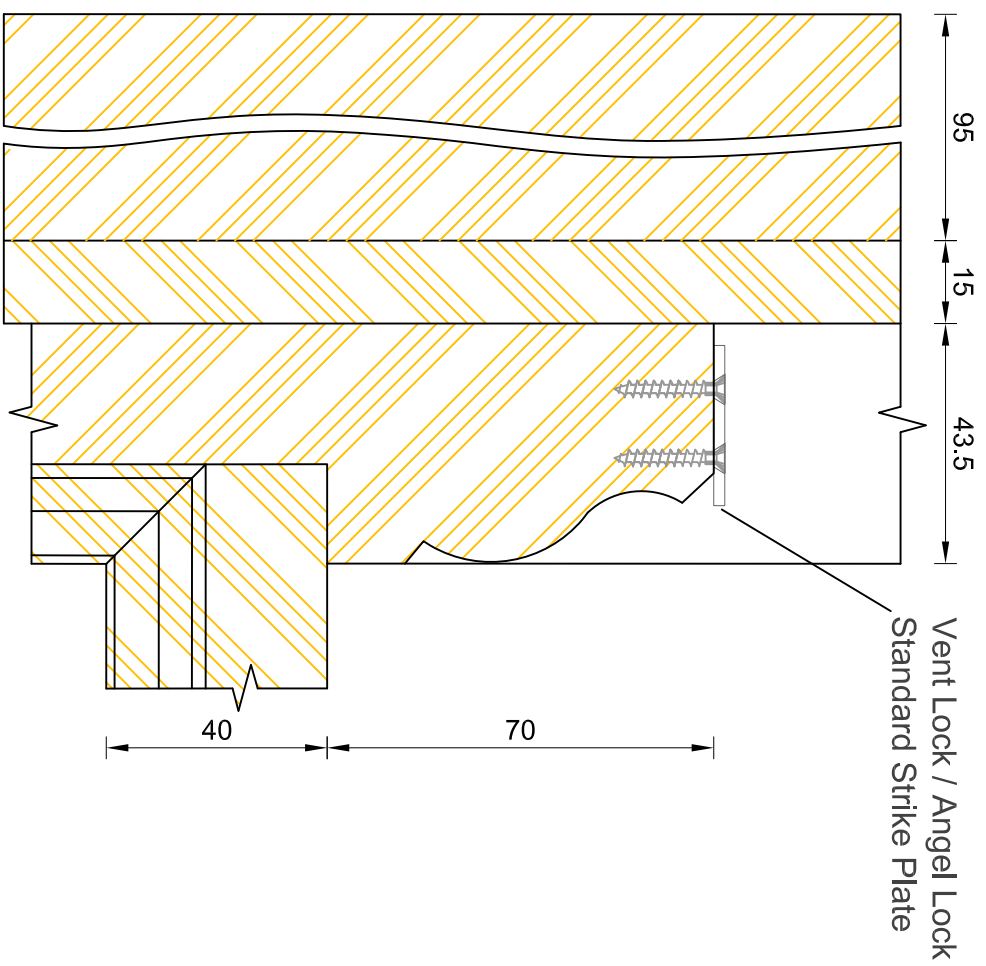
DIMENSIONS	PLOT SIZE	SCALE	DATE	REV	DWG. NO.
MM	A3	1:1	10.04.2018	A	1909.8

Please consider the environment before printing





Horn Design: DALTON
 Top Sash Horn Viewed From Outside



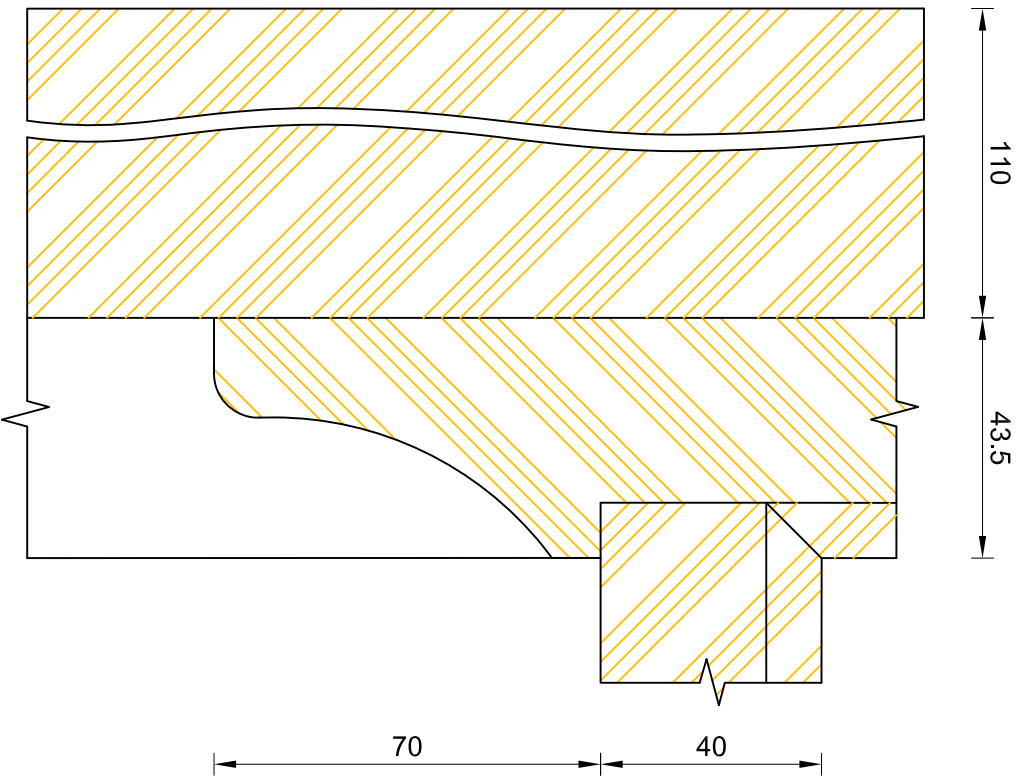
Horn Design: DALTON
 Bottom Sash Horn Viewed From Inside

Traditional Sliding Sash Cords & Weights
 Horns to Top & Bottom Sashes - Type D (Design Option)

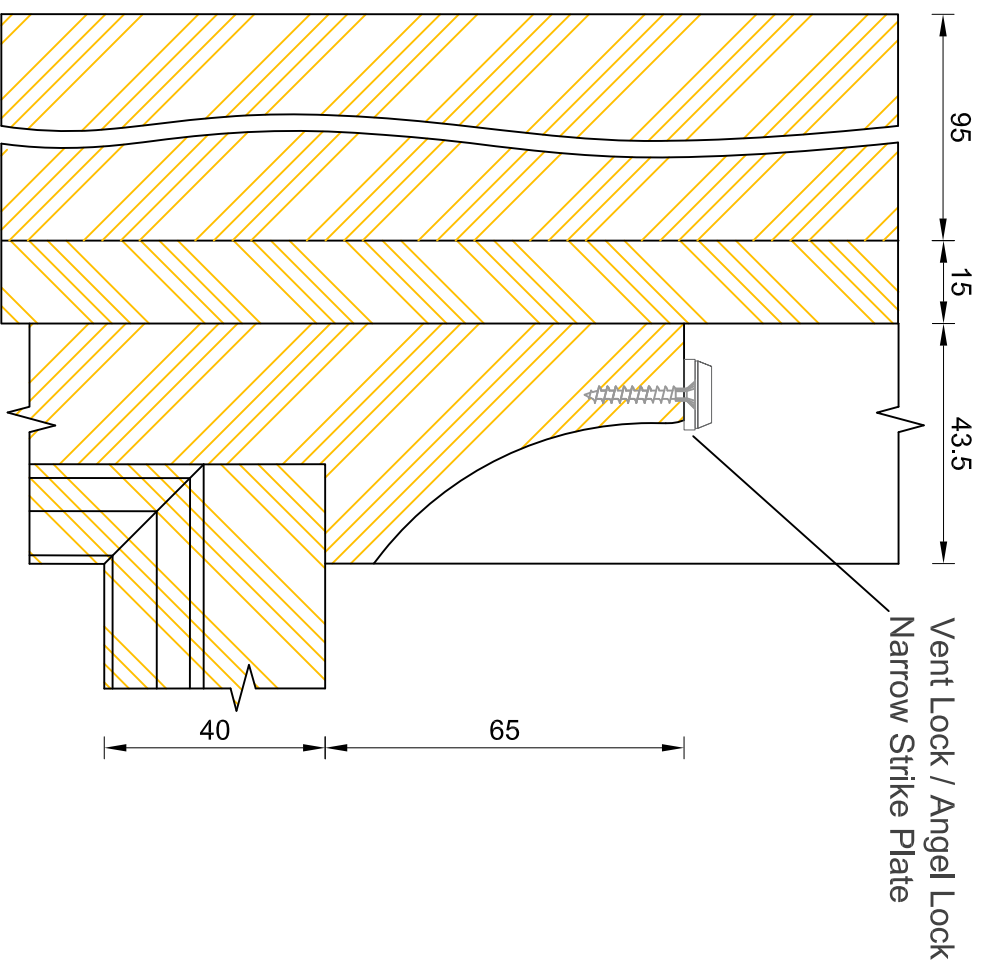
DIMENSIONS	PLOT SIZE	SCALE	DATE	REV	DWG. NO.
MM	A3	1:1	10.04.2018	A	1909.9

Please consider the environment before printing





Horn Design: ELSDON
 Top Sash Horn Viewed From Outside



Horn Design: ELSDON
 Bottom Sash Horn Viewed From Inside

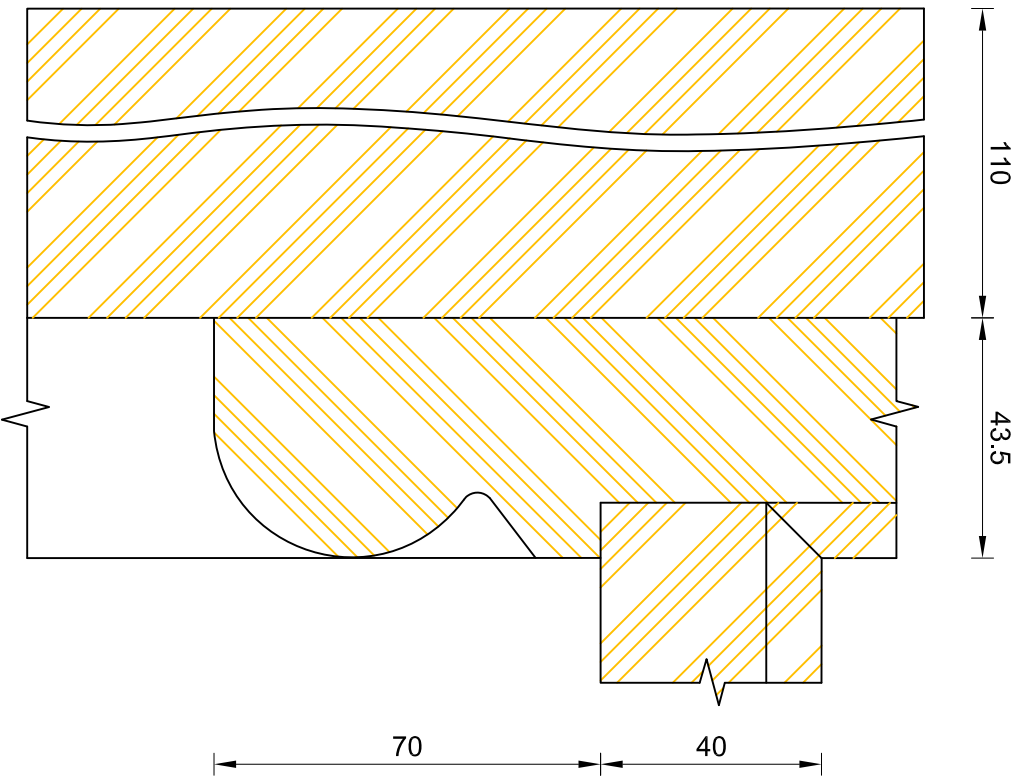


Bereco

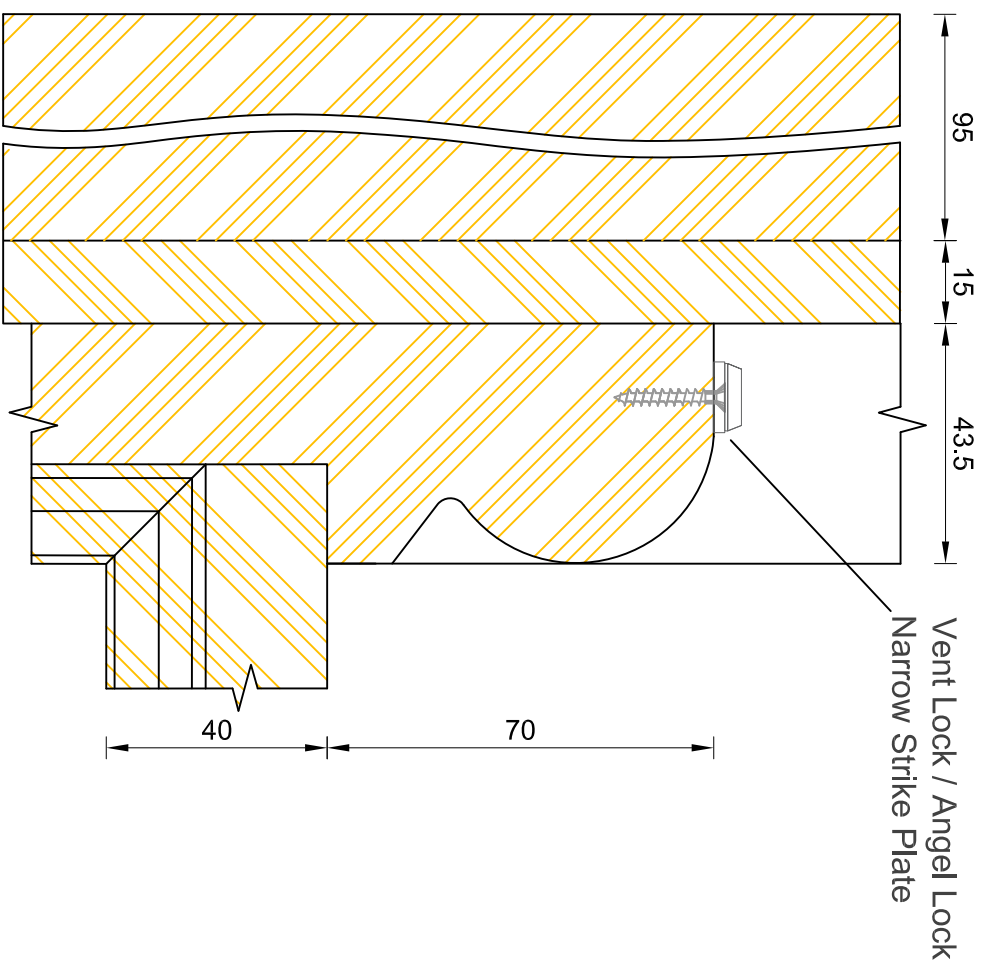
Traditional Sliding Sash Cords & Weights
 Horns to Top & Bottom Sashes - Type E (Design Option)

DIMENSIONS	PLOT SIZE	SCALE	DATE	REV	DWG. NO.
MM	A3	1:1	10.04.2018	A	1909.10

Please consider the environment before printing



Horn Design: FARNHAM
Top Sash Horn Viewed From Outside



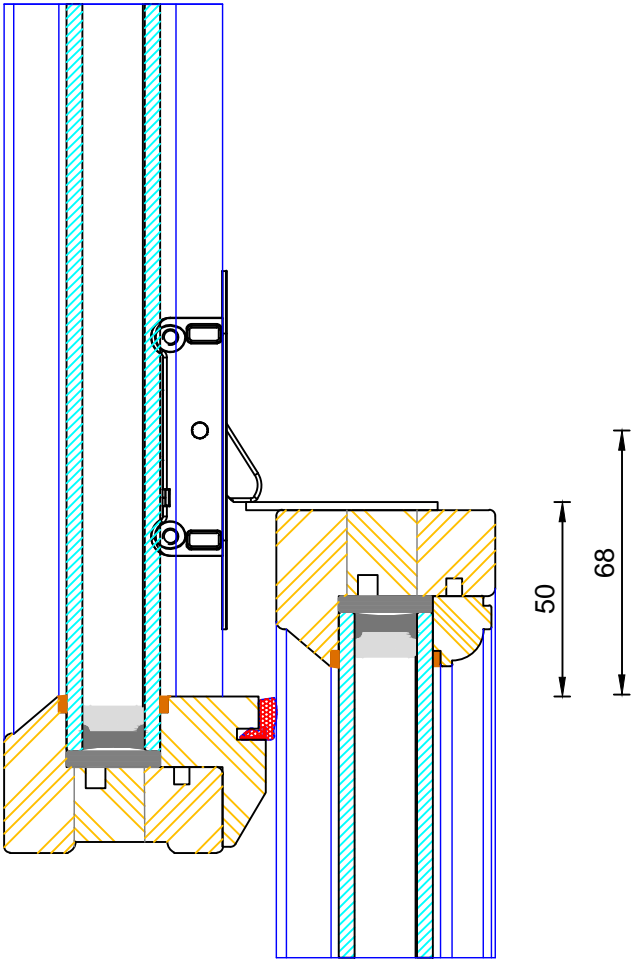
Horn Design: FARNHAM
Bottom Sash Horn Viewed From Inside

Traditional Sliding Sash Cords & Weights
Horns to Top & Bottom Sashes - Type F (Design Option)

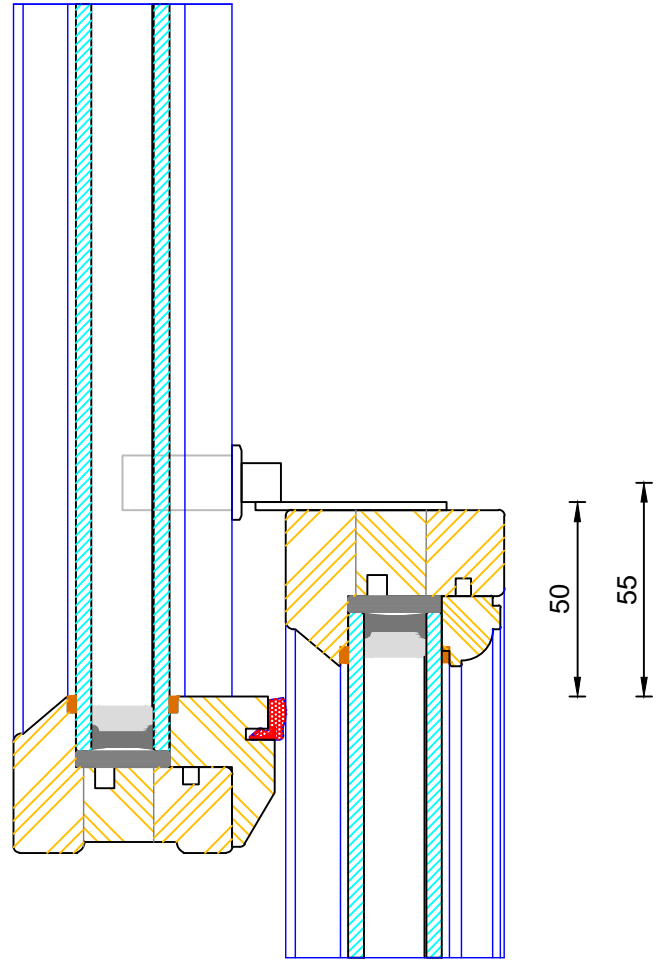
DIMENSIONS	PLOT SIZE	SCALE	DATE	REV	DWG. NO.
MM	A3	1:1	10.04.2018	A	1909.11

Please consider the environment before printing

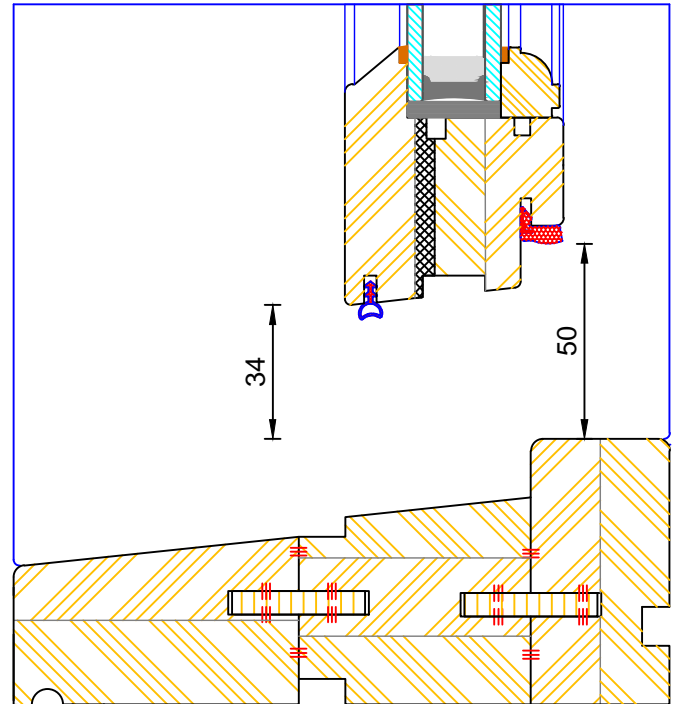
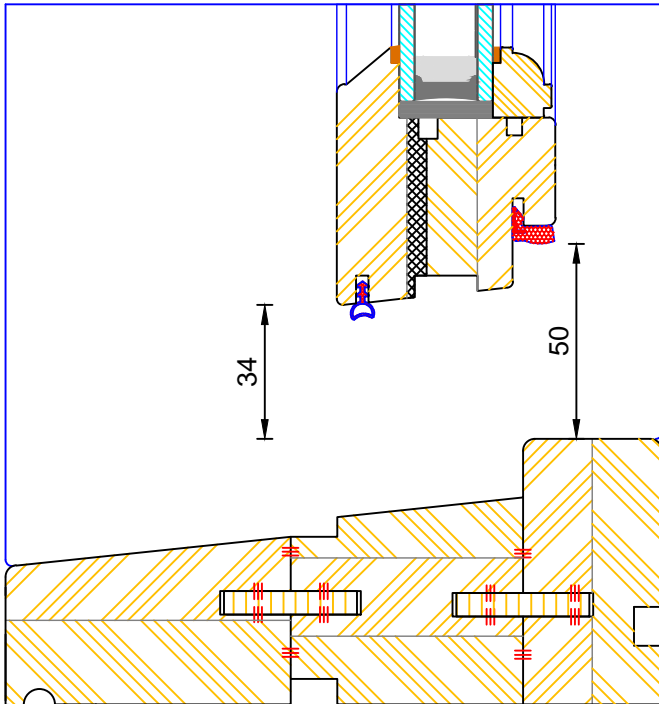


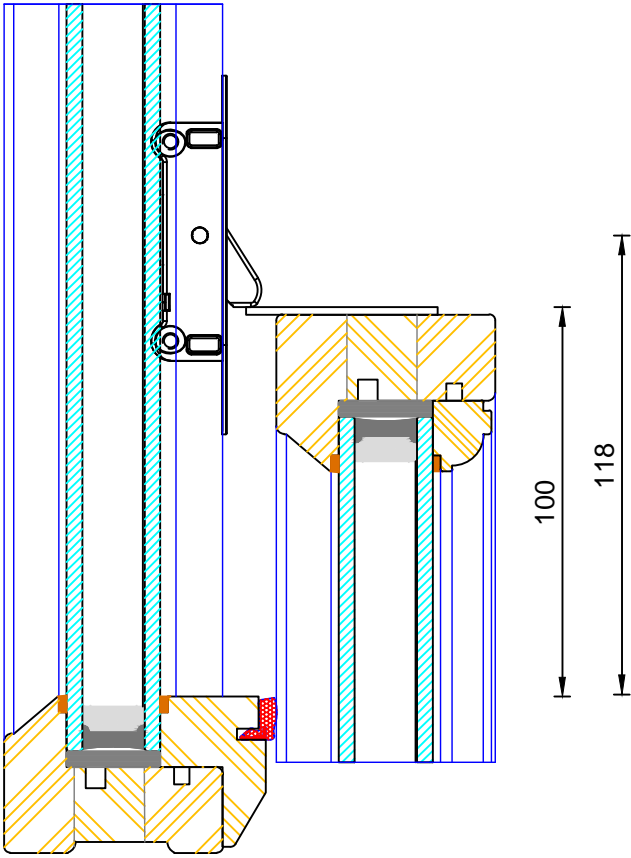


ANGEL LOCK

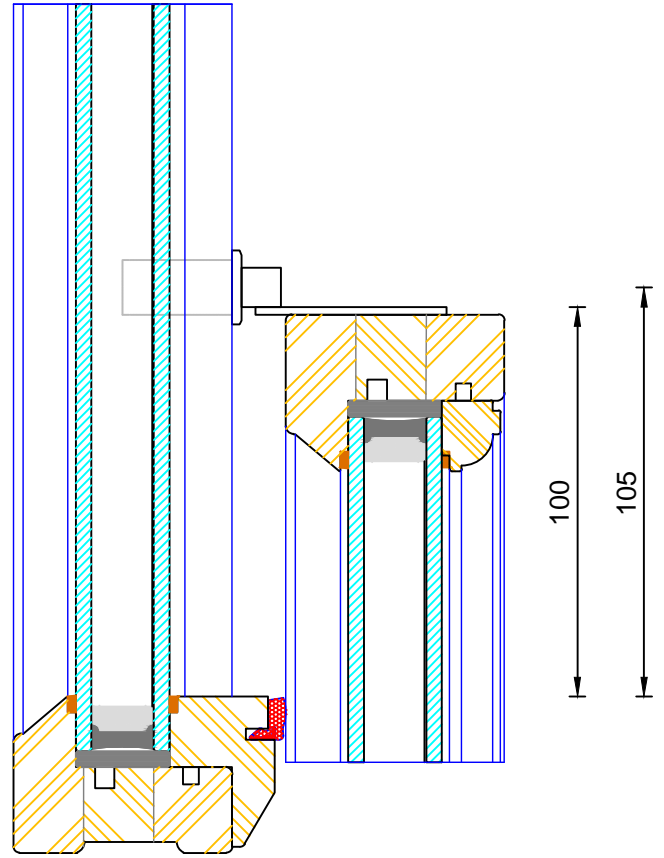


VENT LOCK





ANGEL LOCK



VENT LOCK

