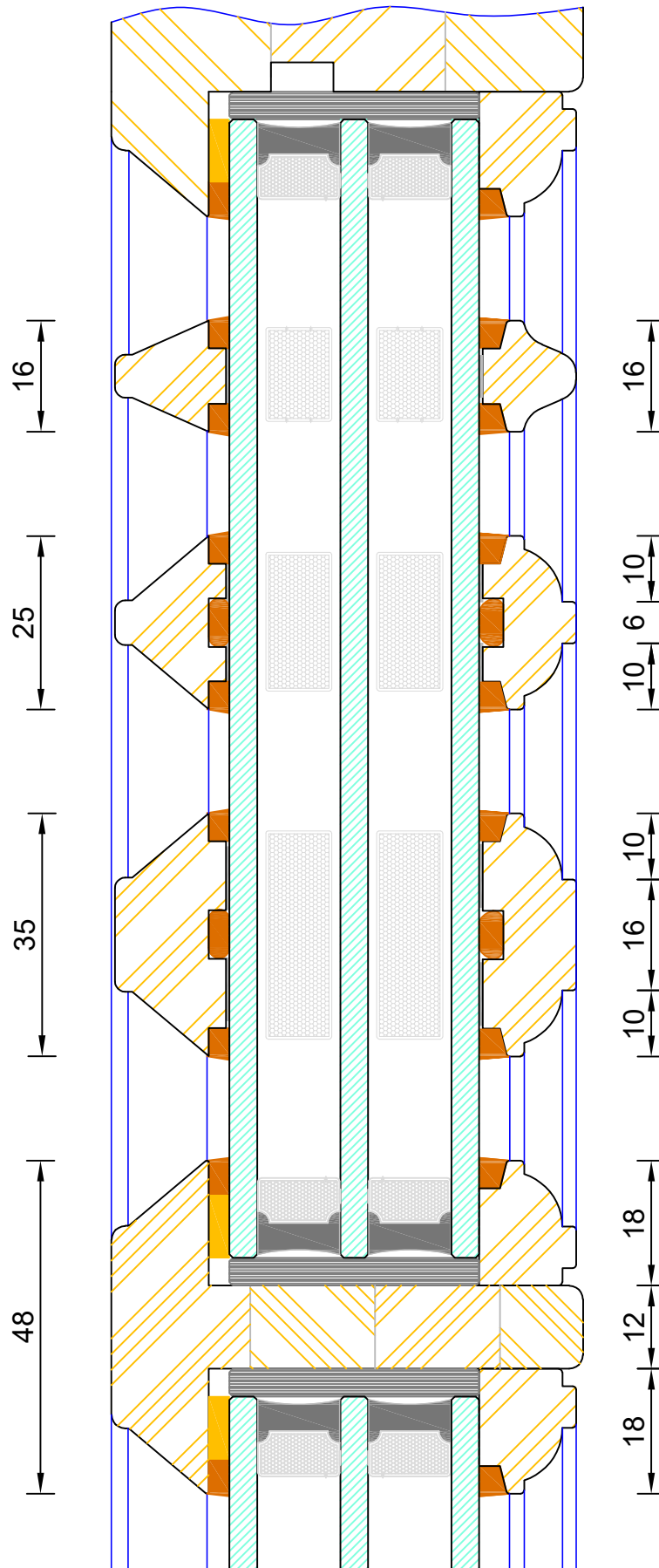


Traditional Sliding Sash Cords & Weights
Triple Glazed - Cill Extension Options

| DIMENSIONS | PLOT SIZE | SCALE | DATE | REV | DWG NO. |
|------------|-----------|-------|------------|-----|-------------|
| MM | A4 | 1:1 | 15.10.2019 | B | 1931 |

Please consider the environment before printing



Traditional Sliding Sash Cords & Weights Triple Glazed - Bar Options

| DIMENSIONS | PLOT SIZE | SCALE | DATE | REV | DWG NO. |
|---|-----------|-------|------------|-----|-------------|
| MM | A4 | 1:1 | 01.01.2019 | B | 1923 |
| Please consider the environment before printing | | | | | |



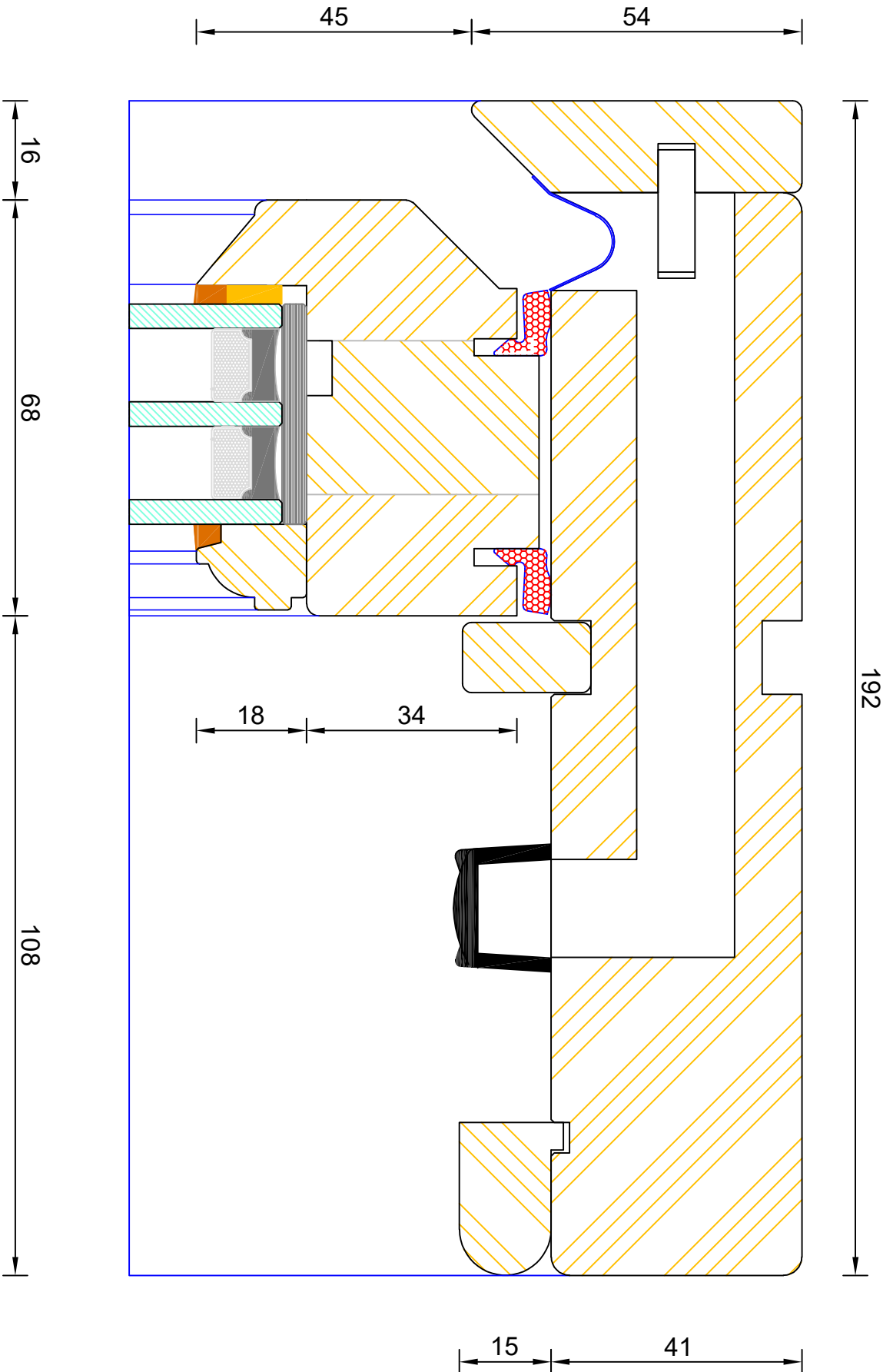
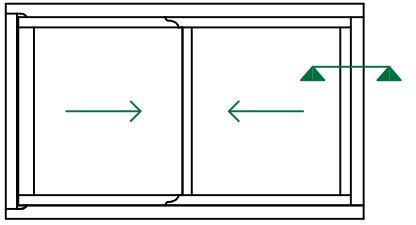
Berenco

Traditional Sliding Sash Cords & Weights Triple Glazed - Frame & Sash Head (With Vent)

| DIMENSIONS | PLOT SIZE | SCALE | DATE | REV | DWG. NO. |
|------------|-----------|-------|------------|-----|----------|
| MM | A1 | 1:1 | 08.08.2022 | B | 1924 |

Please consider the environment before printing

Note: Detail Used
1/ If order has vents specified



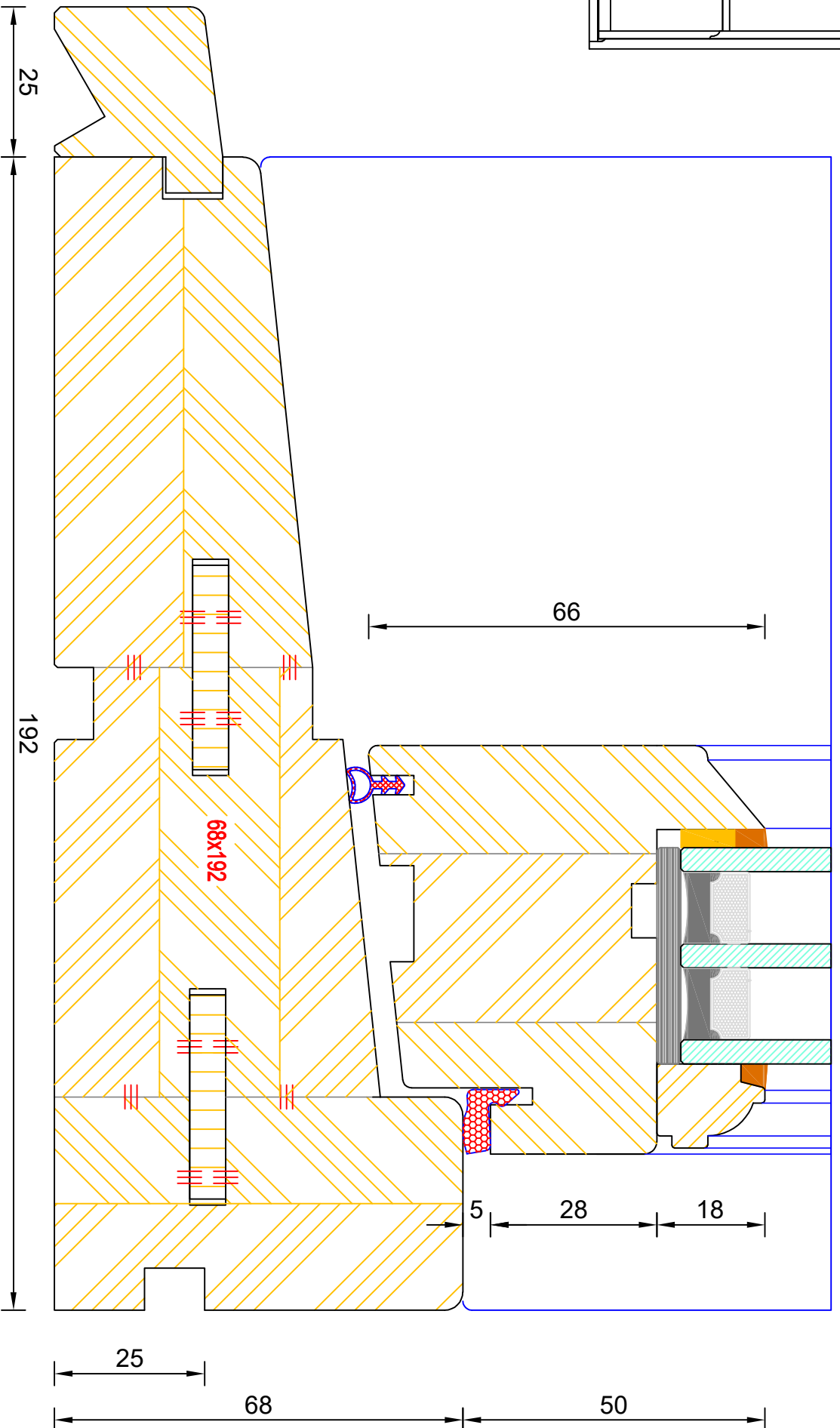
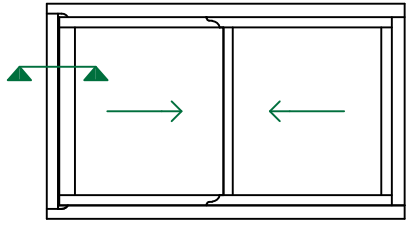


Berenco

Traditional Sliding Sash Cords & Weights Triple Glazed - Frame & Sash Cill

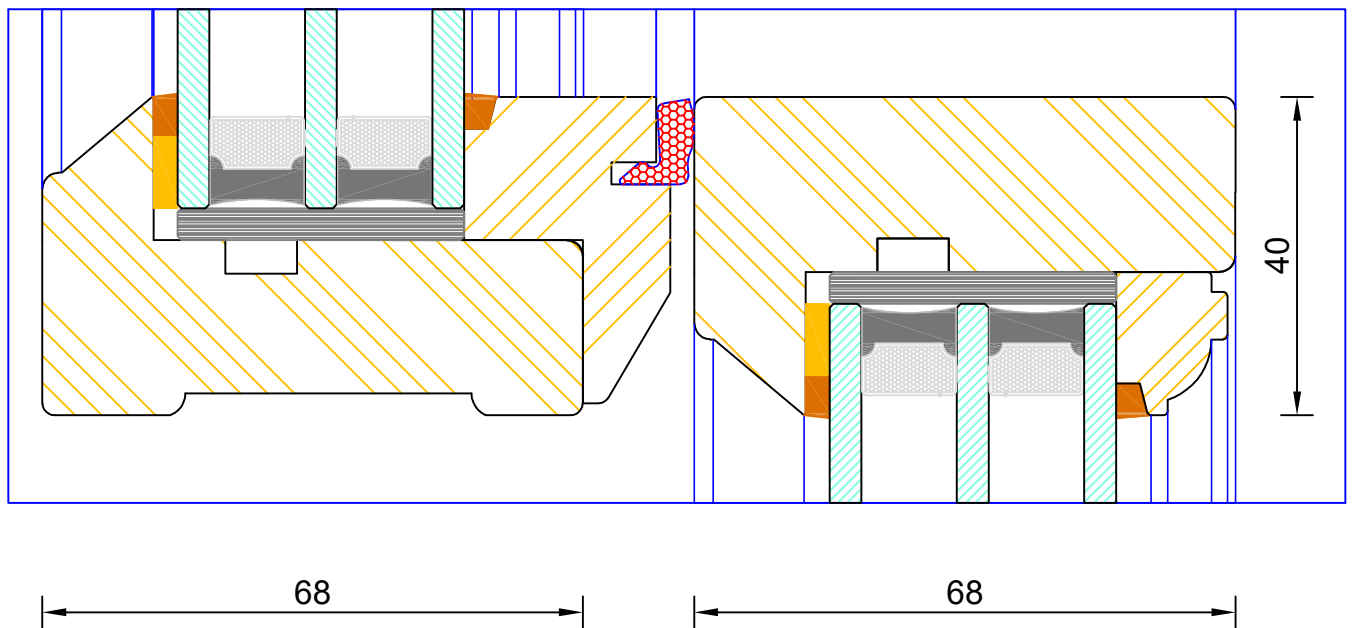
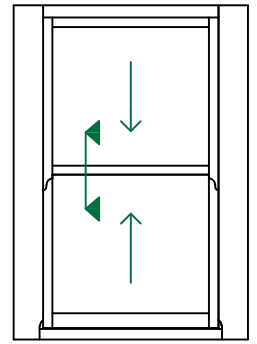
| DIMENSIONS | PLOT SIZE | SCALE | DATE | REV | DWG. NO. |
|------------|-----------|-------|------------|-----|----------|
| MM | A1 | 1:1 | 08.08.2022 | B | 1925 |

Please consider the environment before printing



CILL EXTENSION - available options:

- 25mm (193mm o/a) / 47mm (215mm o/a) / 62mm (230mm o/a) / 87mm (255mm o/a) / 100mm (268mm o/a) / 114mm (282mm o/a) / 140mm (308mm o/a)



REFER TO DOUBLE GLAZED
SECTIONS FOR VENT AND ANGEL
LOCK POSITIONS & HORN PROFILES



Traditional Sliding Sash Cords & Weights
Triple Glazed - Meeting Rail

| DIMENSIONS | PLOT SIZE | SCALE | DATE | REV | DWG NO. |
|------------|-----------|-------|------------|----------|-------------|
| MM | A4 | 1:1 | 08.08.2022 | B | 1926 |

Please consider the environment before printing

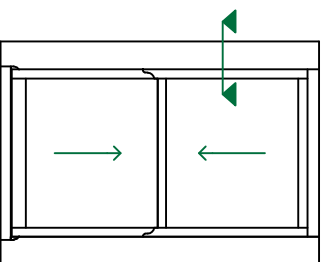
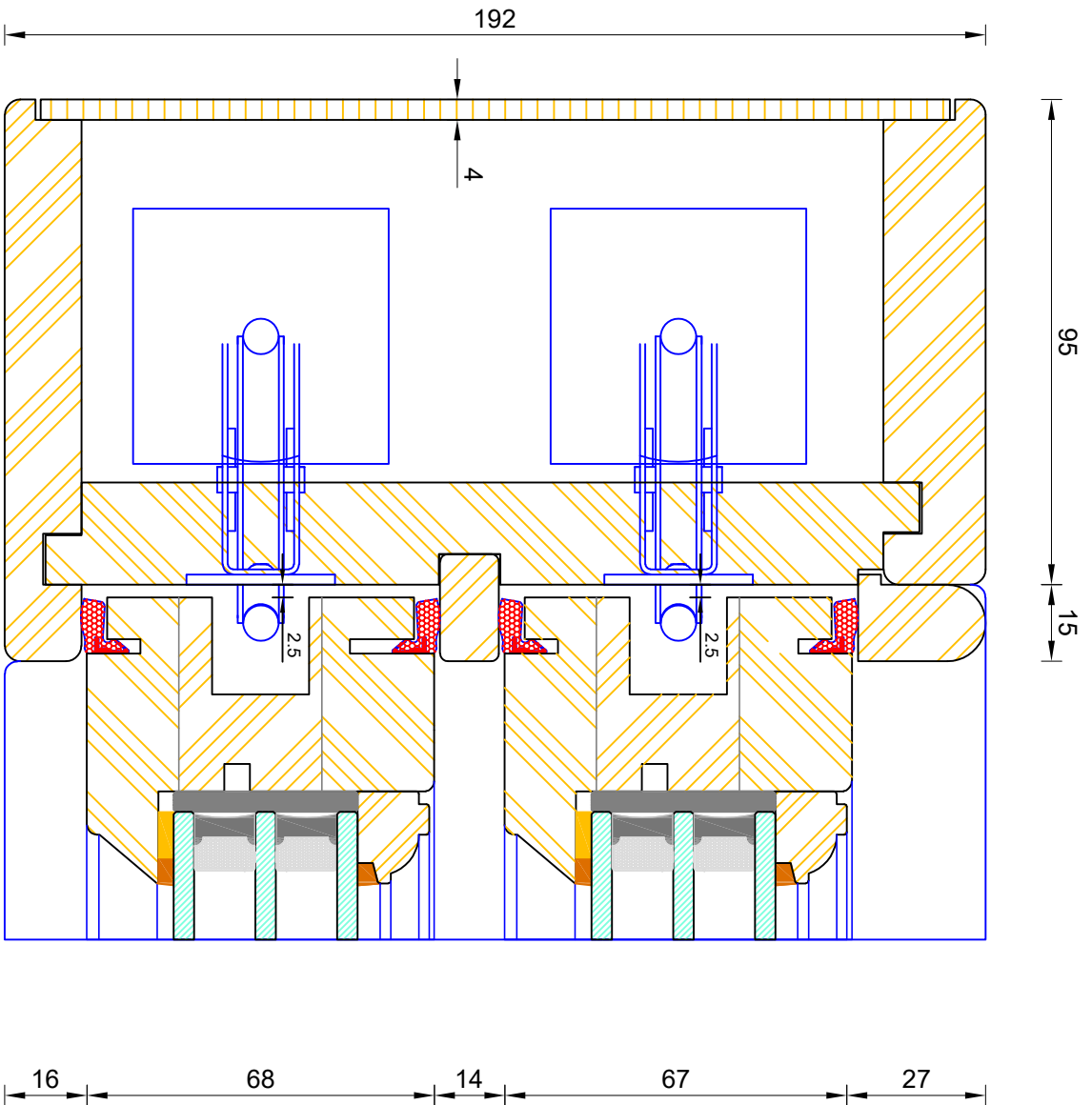


Berenco

Traditional Sliding Sash Cords & Weights Frame & Sash Jamb (Standard)

| DIMENSIONS | PLOT SIZE | SCALE | DATE | REV | DWG NO. |
|------------|-----------|-------|------------|-----|---------|
| MM | A3 | 1:1 | 08.08.2022 | B | 1927 |

Please consider the environment before printing



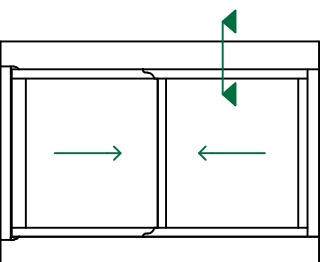
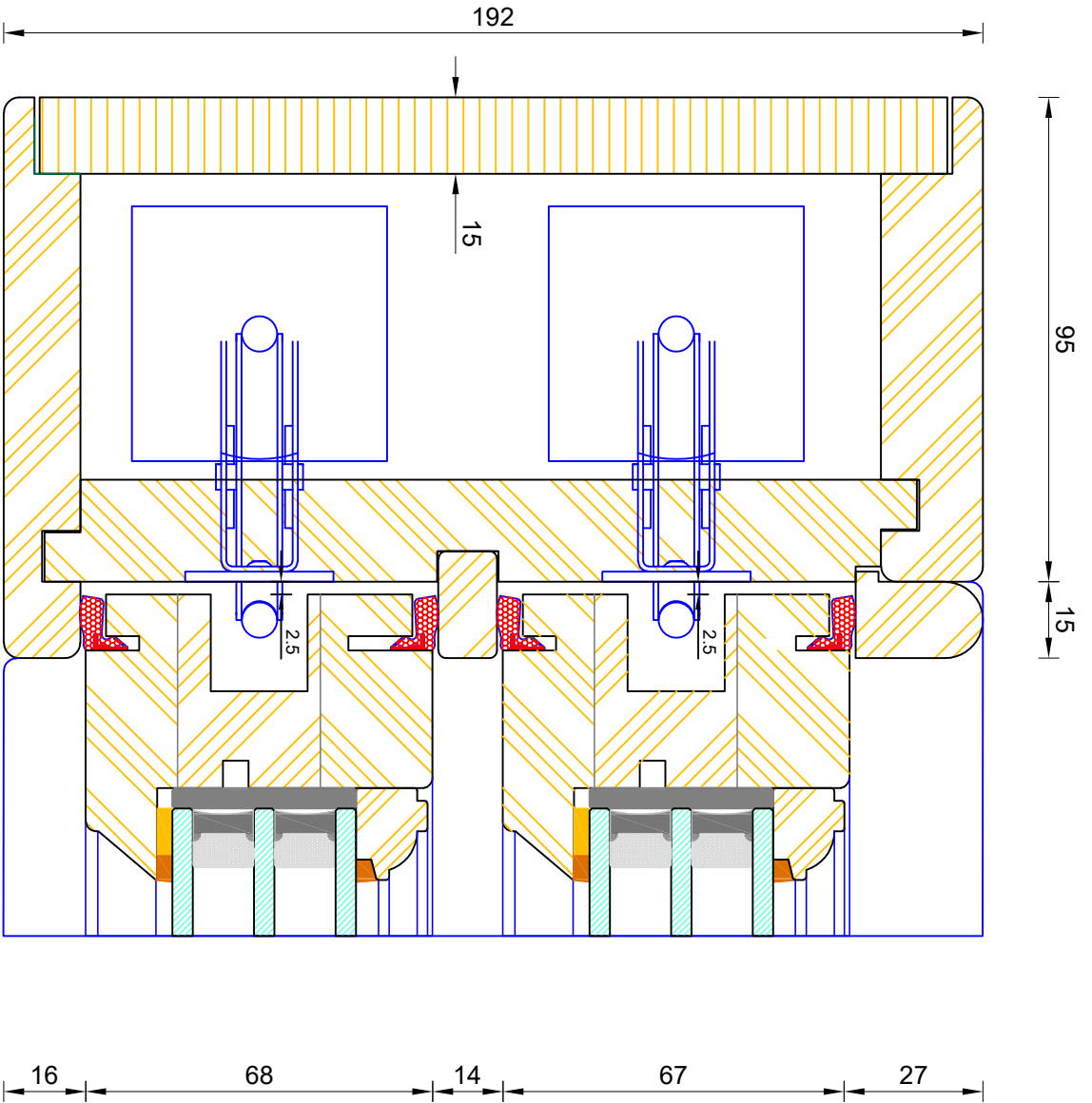


Berenco

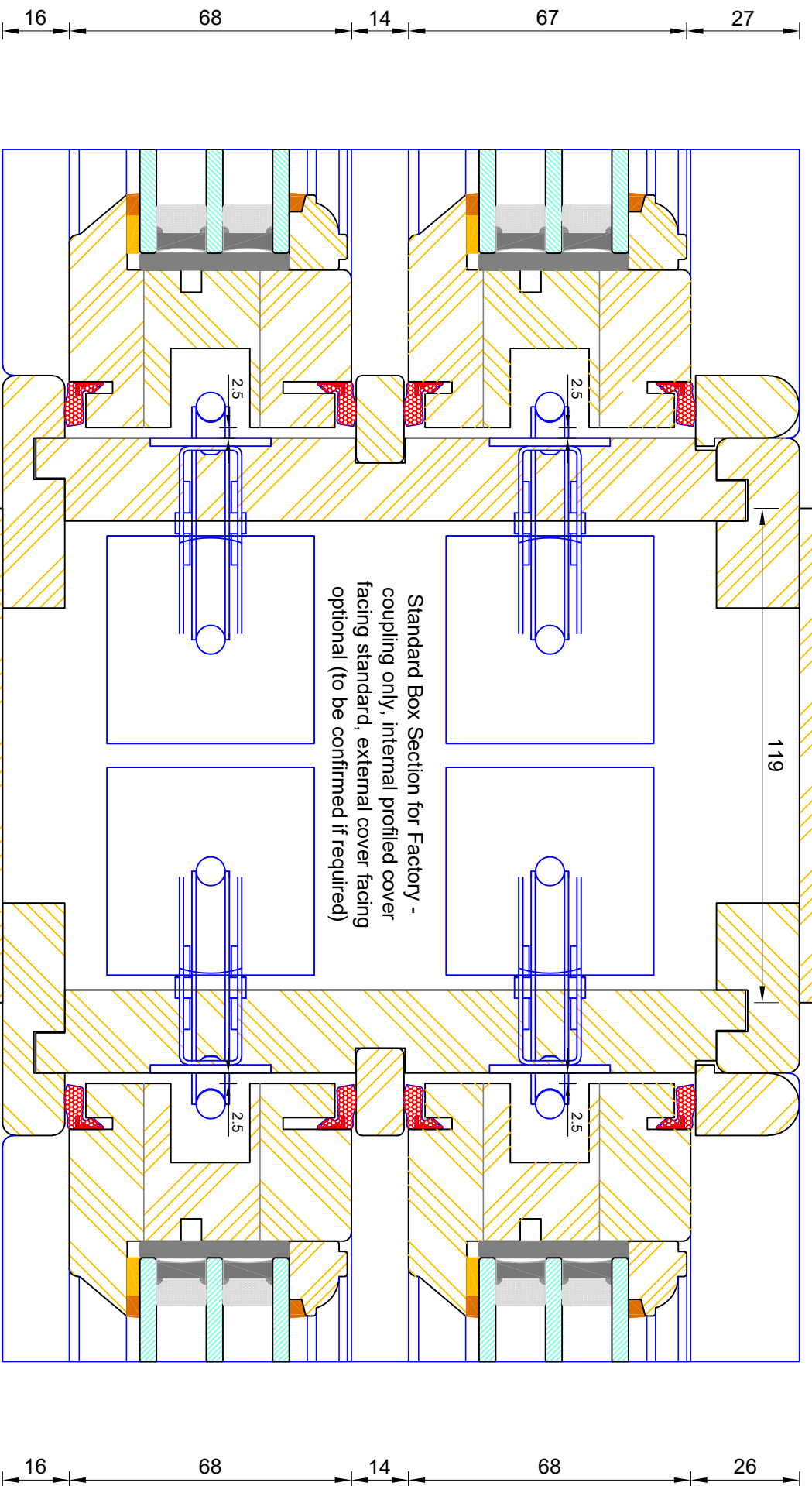
Traditional Sliding Sash Cords & Weights Frame & Sash Jamb (Optional)

| DIMENSIONS | PLOT SIZE | SCALE | DATE | REV | DWG NO. |
|------------|-----------|-------|------------|-----|---------|
| MM | A3 | 1:1 | 08.08.2022 | B | 1928 |

Please consider the environment before printing



Internal Cover Facing as Standard



External Cover Facing optional (not
required for existing stone mullion)

Contemporary Sliding Sash Cords & Weights
Frame & Sash Box Mullion (Factory Coupled)

| DIMENSIONS | | MM | MM | MM | MM | MM | MM |
|------------|-------|------|-----|---------|----|-----|------------|
| PLOT SIZE | SCALE | DATE | REV | DWG NO. | A3 | 1:1 | 08.08.2022 |
| MM | | | B | | | | |

1929

Please consider the environment before printing



Berenco

