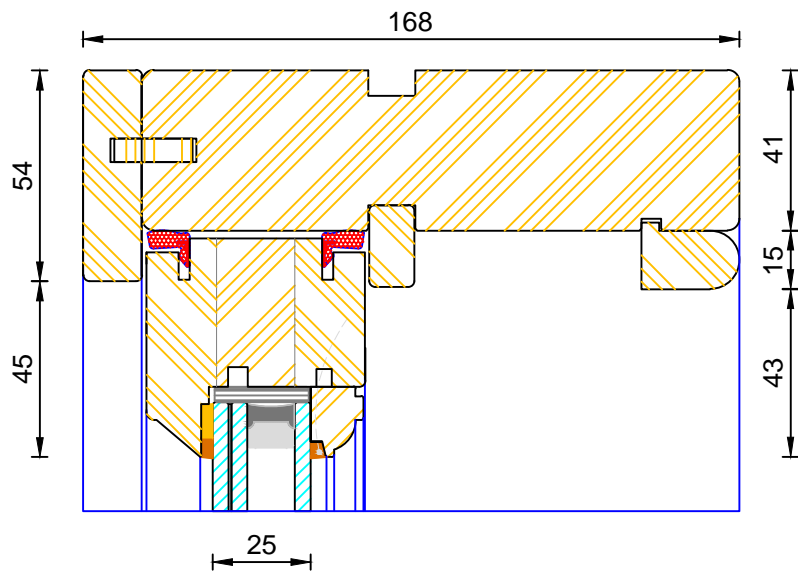
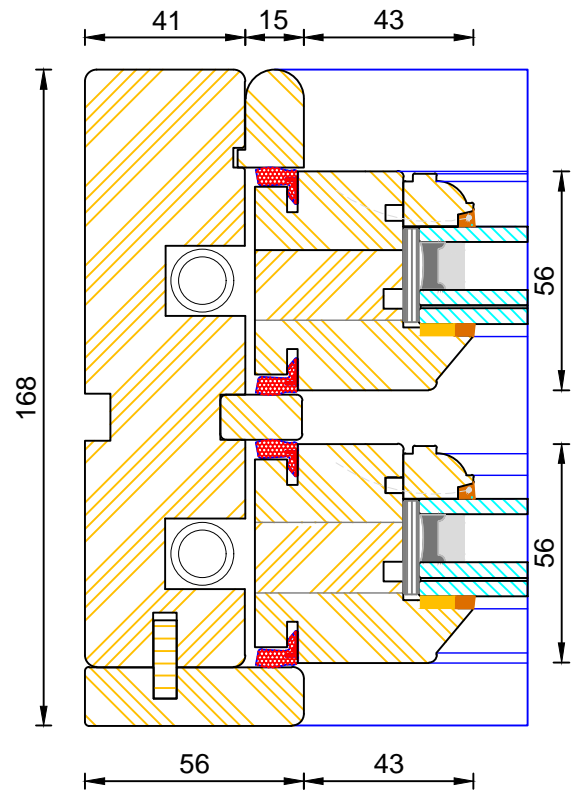


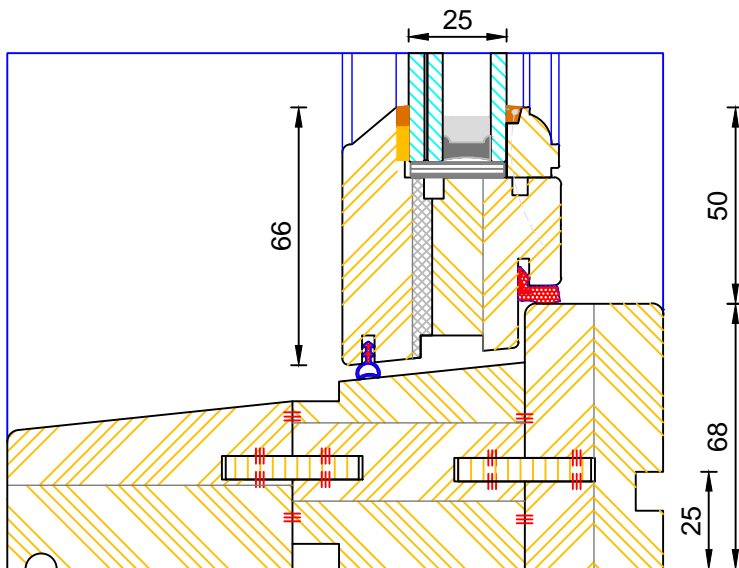
Section A-A



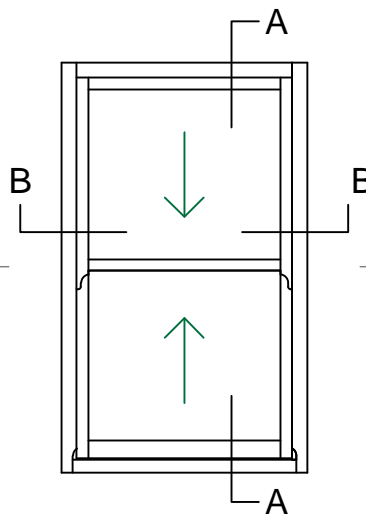
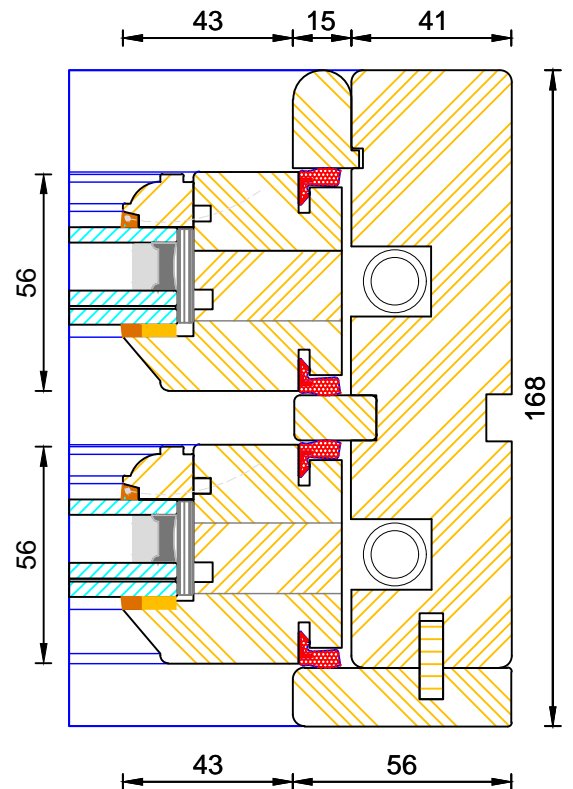
Section B-B



Section A-A



Section B-B



Typical sections showing acoustic glass - 8.8Aku/12ar/4T (39 dB)
 For full sectional details please refer to our standard double glazed sections

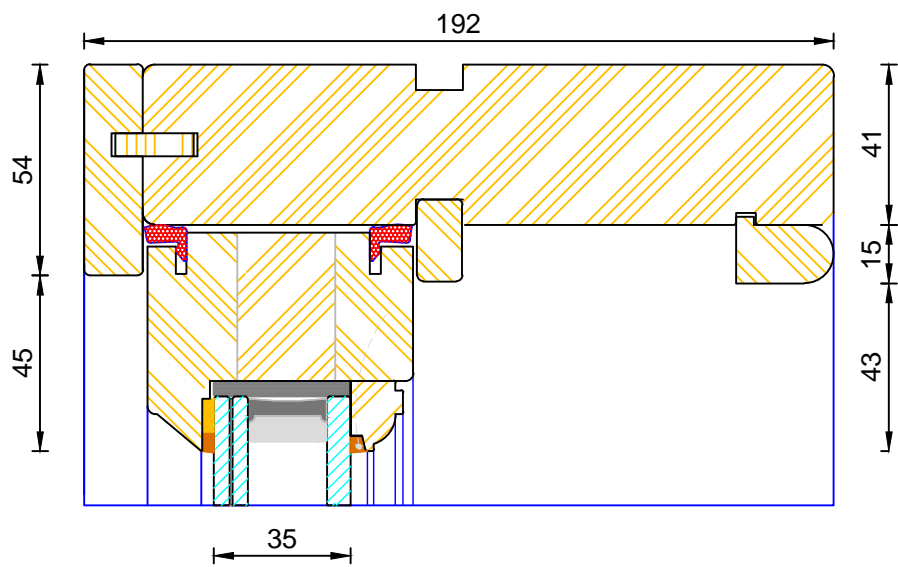


Traditional Siding Sash Spiral Balance Frame & Sash Sections - Acoustic Rating 38dB

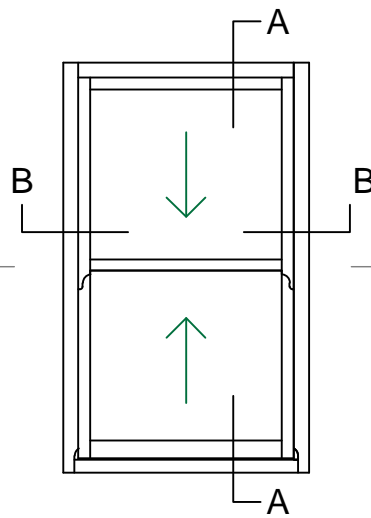
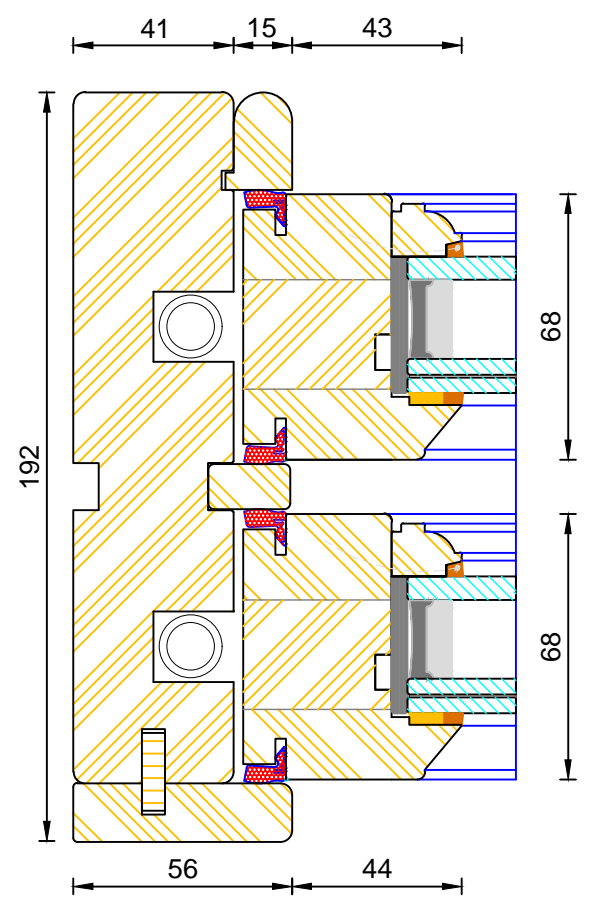
DIMENSIONS	PLOT SIZE	SCALE	DATE	REV	DWG NO.
MM	A2	1:1	05.01.2016	A	2030

Please consider the environment before printing

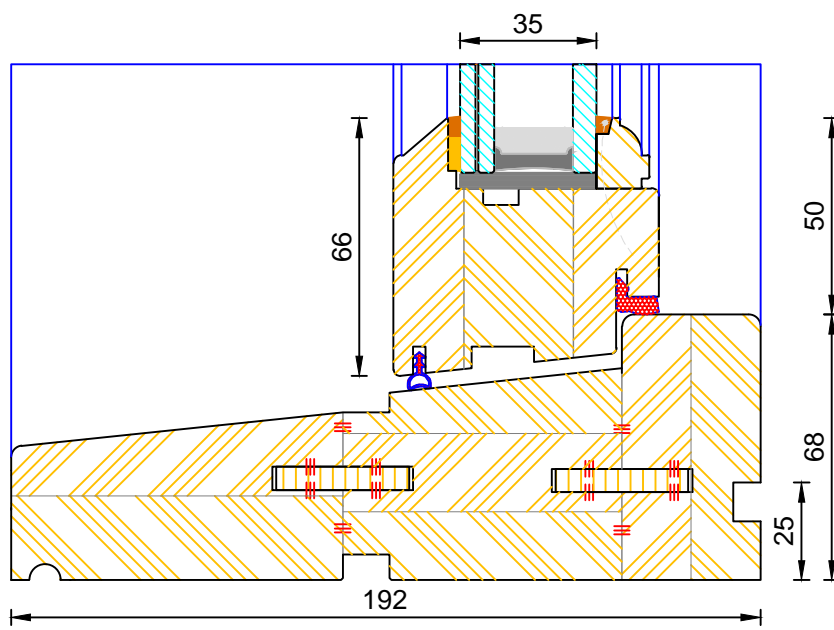
Section A-A



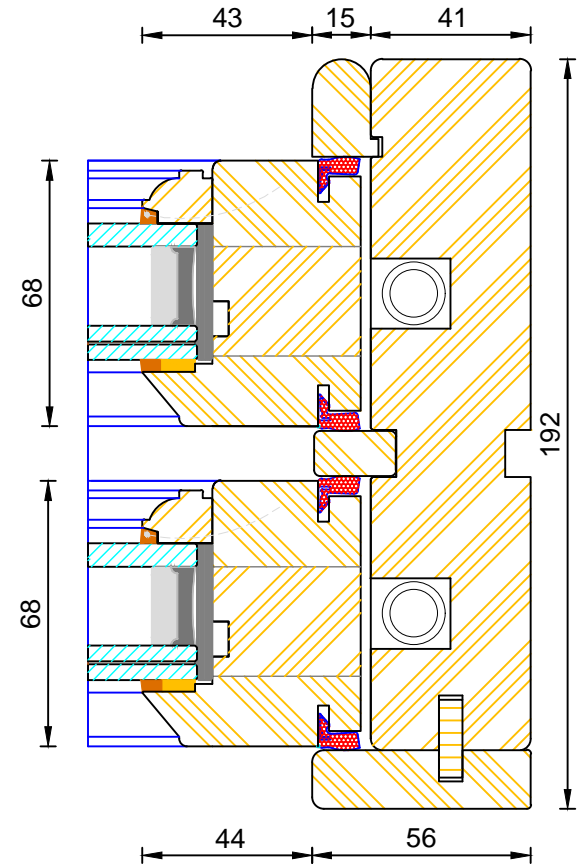
Section B-B



Section A-A



Section B-B



Typical sections showing acoustic glass - 8.8Aku/20ar/6T (42 dB)
 For full sectional details please refer to our standard double glazed sections

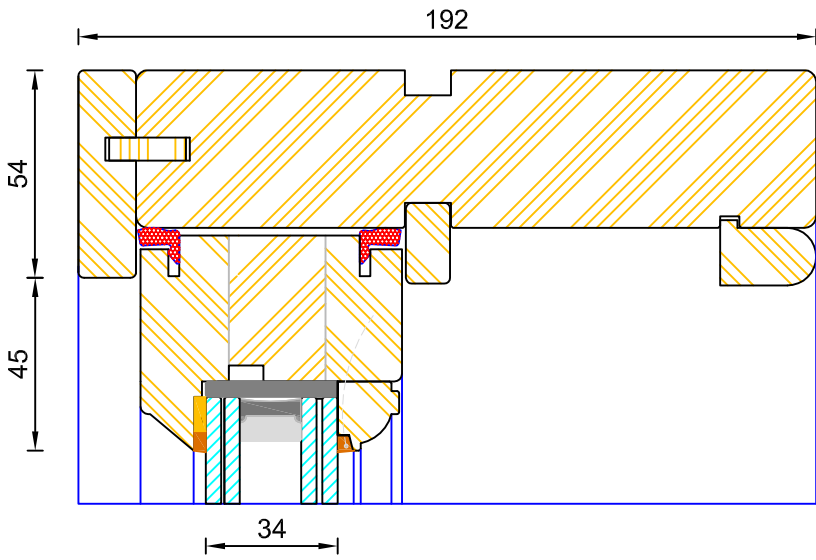


Traditional Siding Sash Spiral Balance
 Frame & Sash Sections - Acoustic Rating **41dB**

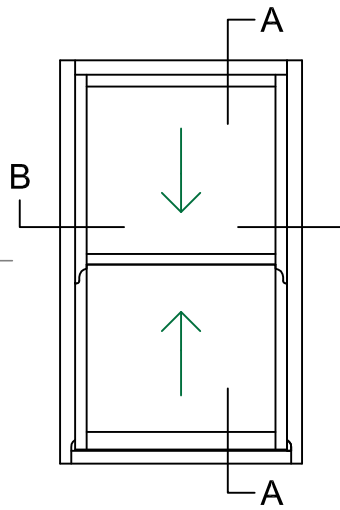
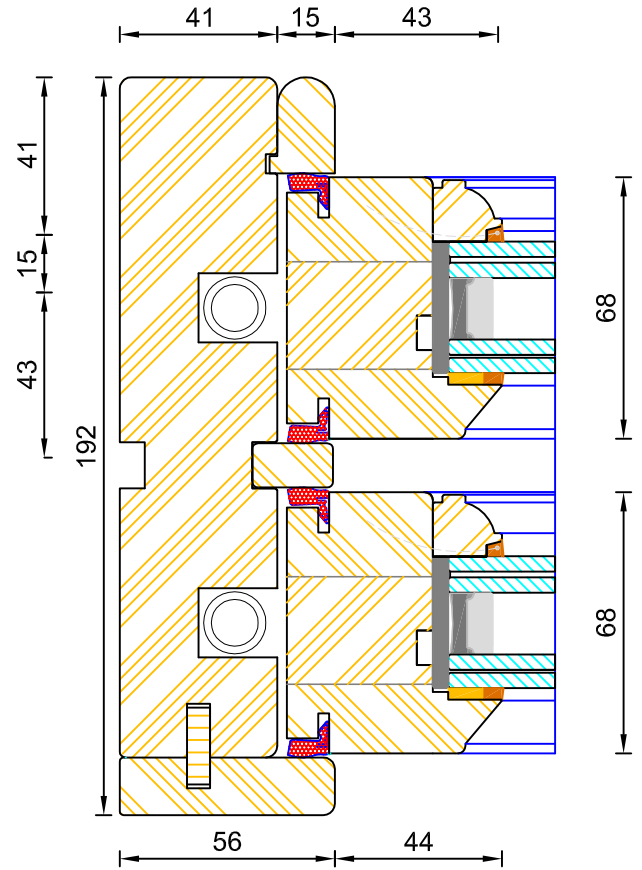
DIMENSIONS	PLOT SIZE	SCALE	DATE	REV	DWG NO.
MM	A2	1:1	05.01.2016	A	2031

Please consider the environment before printing

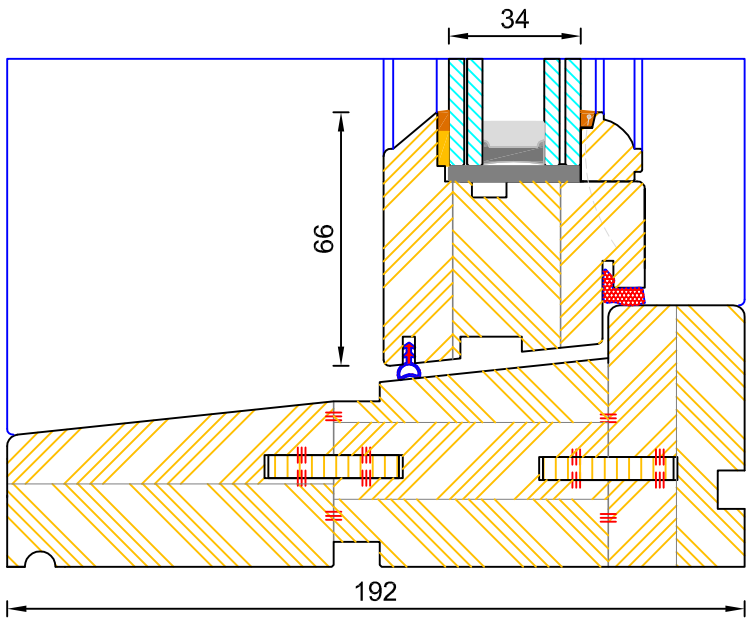
Section A-A



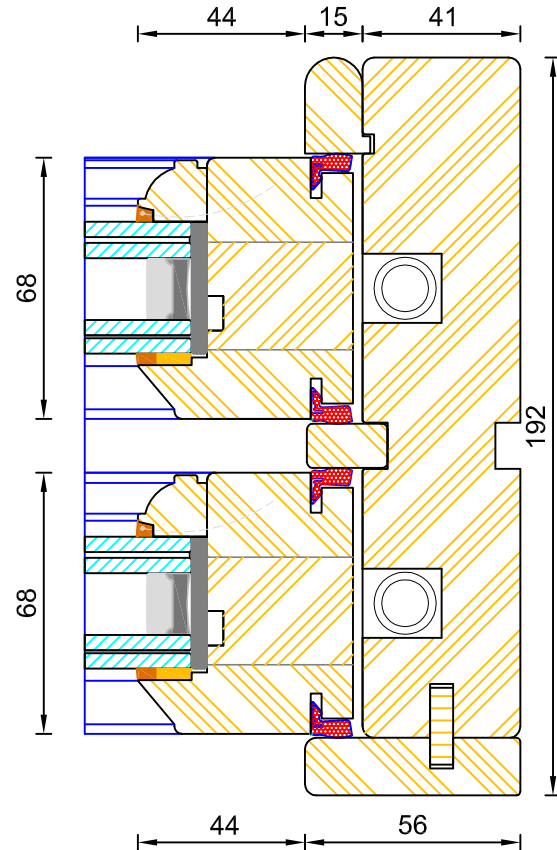
Section B-B



Section A-A



Section B-B



Typical sections showing acoustic glass - 9.5/16Ar/8.8T(Aku) CG A 1.0 (45dB)
 For full sectional details please refer to our standard double glazed sections



Traditional Siding Sash Spiral Balance
Frame & Sash Sections - Acoustic Rating 42dB

DIMENSIONS	PLOT SIZE	SCALE	DATE	REV	DWG NO.
MM	A2	1:1	28.08.2019	B	2032
Please consider the environment before printing					