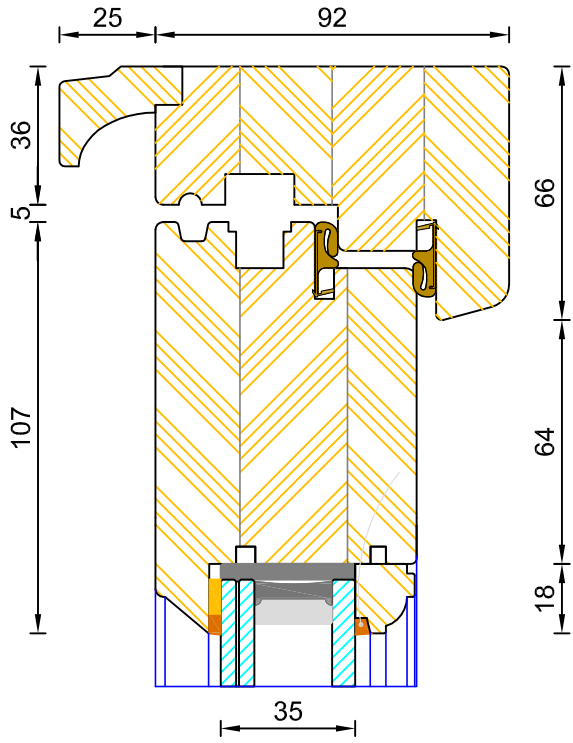
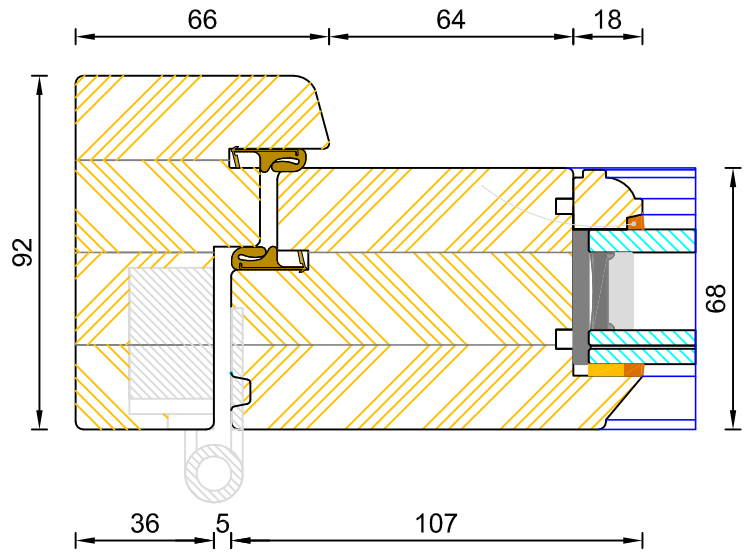


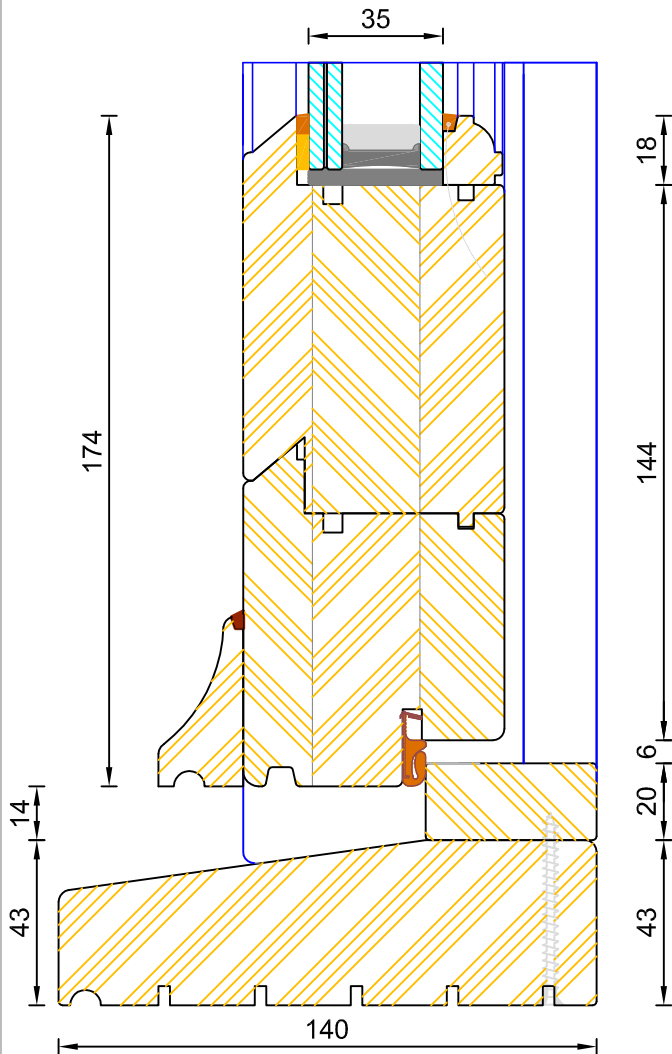
Section B-B



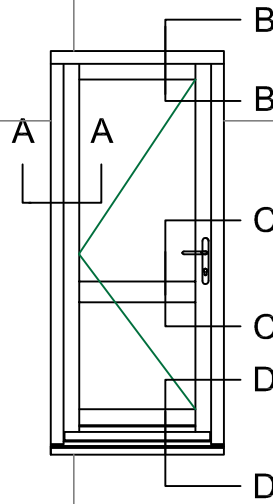
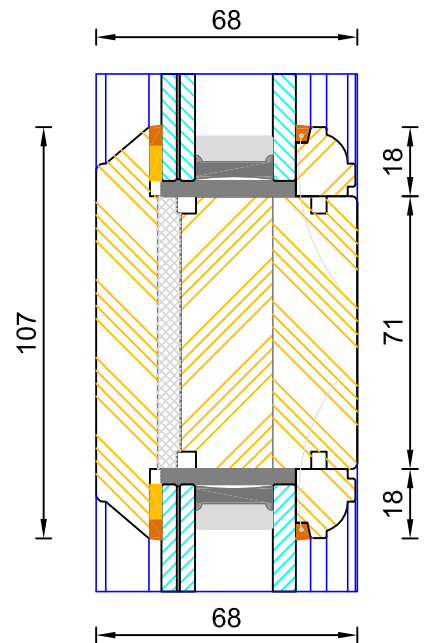
Section A-A



Section D-D



Section C-C



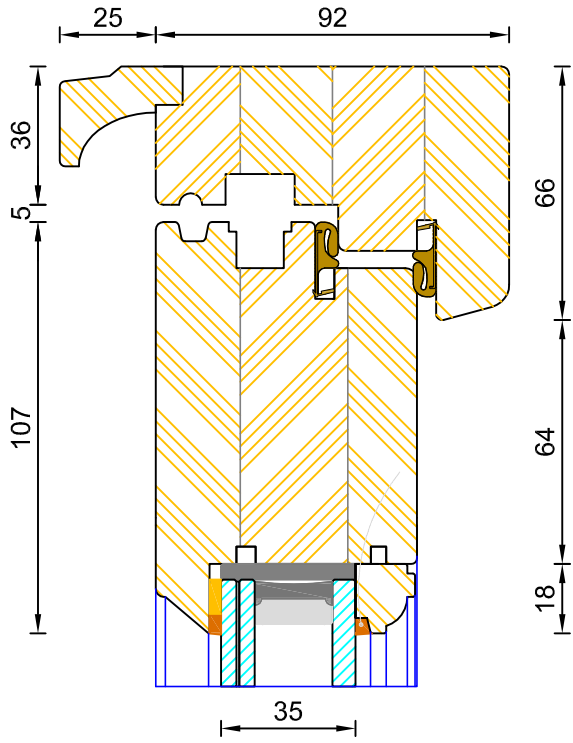
Typical sections showing acoustic glass - 8.8/20ar/6ESGT (39 dB) For full sectional details please refer to our standard double glazed sections



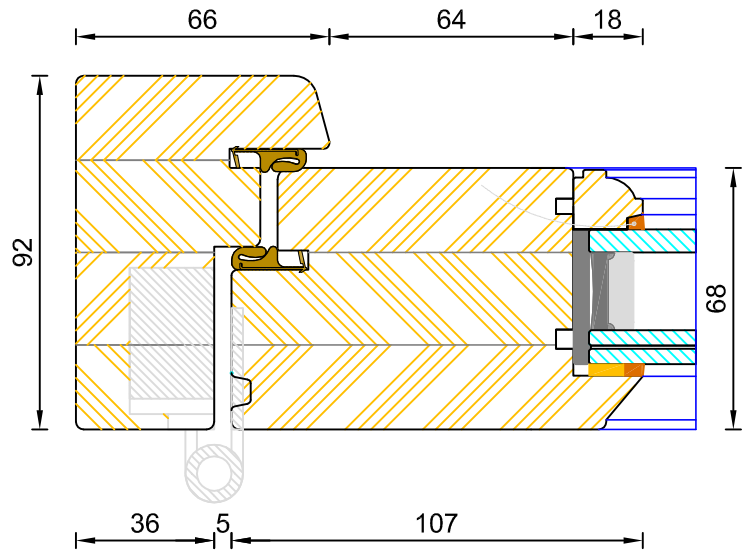
**Traditional Open Out Flush Entrance Door  
Frame & Leaf Sections - Acoustic Rating 38dB**

DIMENSIONS	PLOT SIZE	SCALE	DATE	REV	DWG NO.
MM	A2	1:1	16.05.2017	A	<b>2470</b>
Please consider the environment before printing					

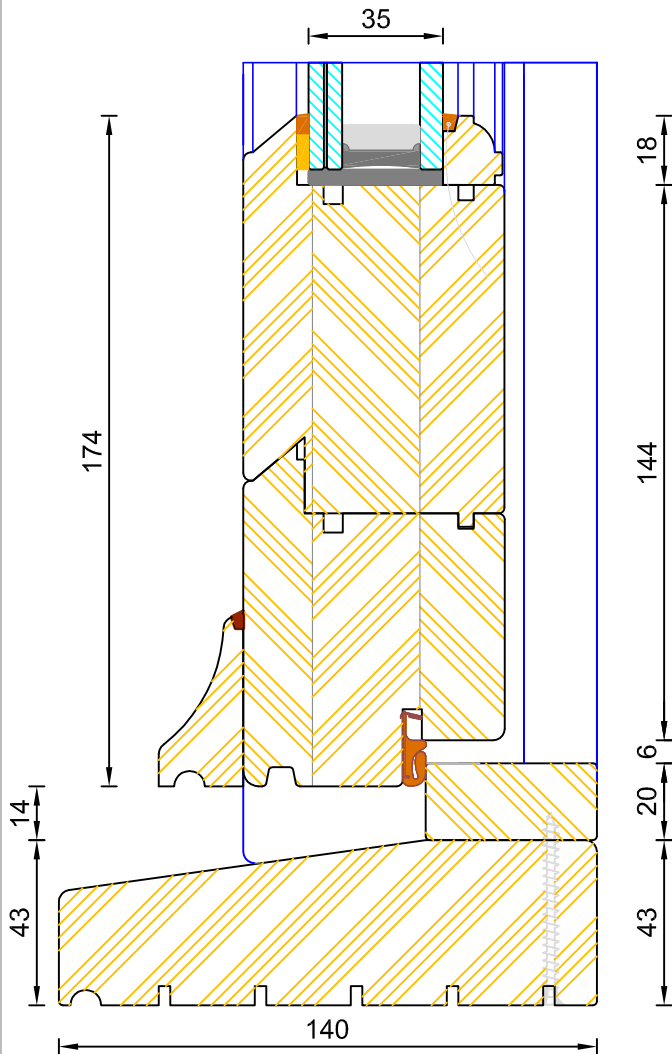
Section B-B



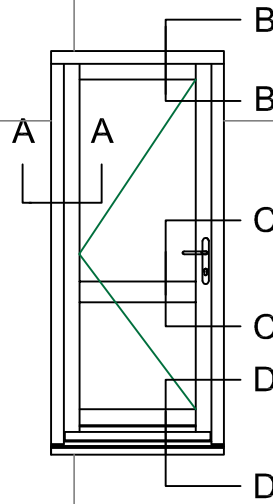
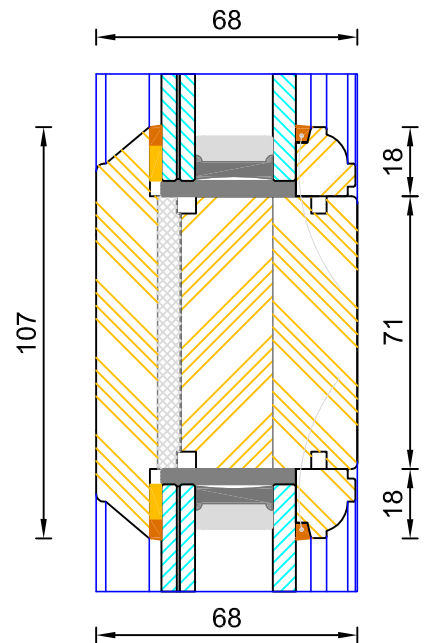
Section A-A



Section D-D



Section C-C



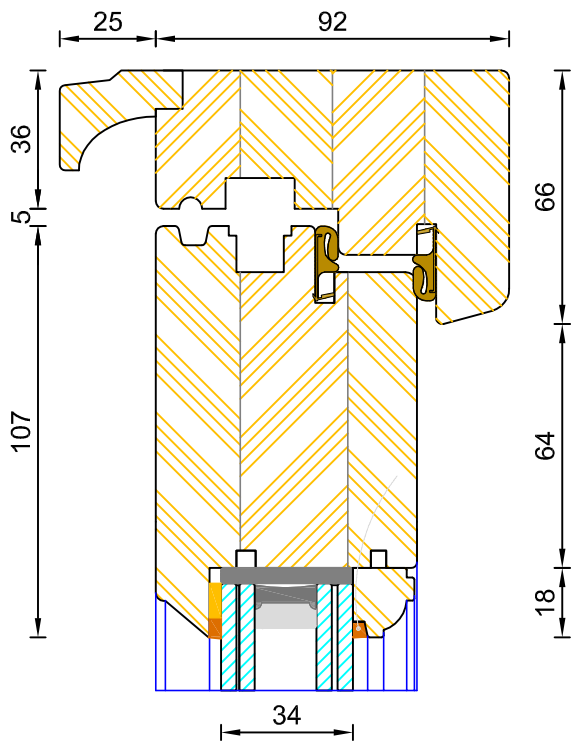
Typical sections showing acoustic glass - 8.8Aku/20ar/6ESGT (42 dB) For full sectional details please refer to our standard double glazed sections



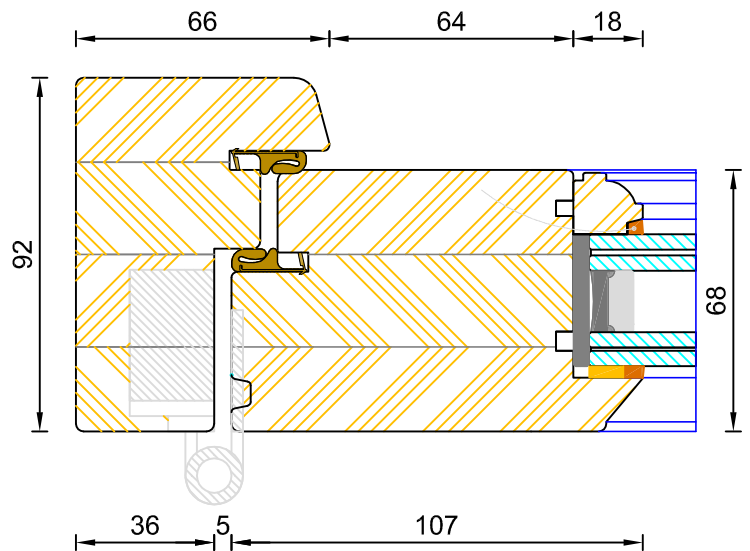
**Traditional Open Out Flush Entrance Door  
Frame & Leaf Sections - Acoustic Rating 41dB**

DIMENSIONS	PLOT SIZE	SCALE	DATE	REV	DWG NO.
MM	A2	1:1	16.05.2017	A	<b>2471</b>
Please consider the environment before printing					

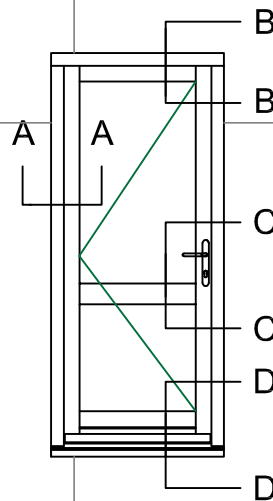
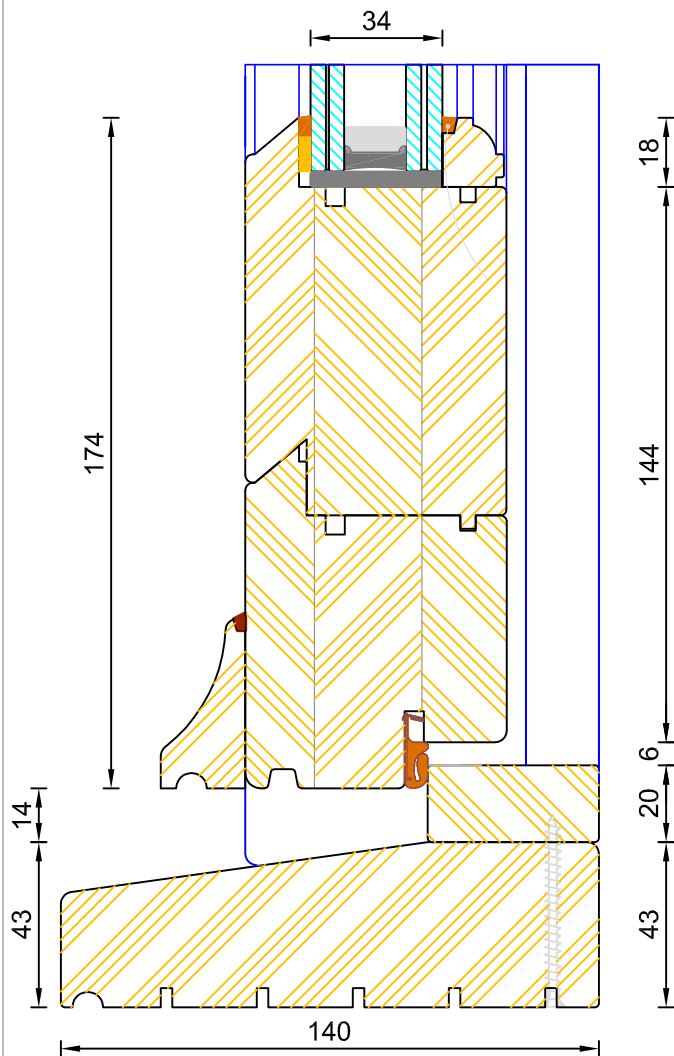
Section B-B



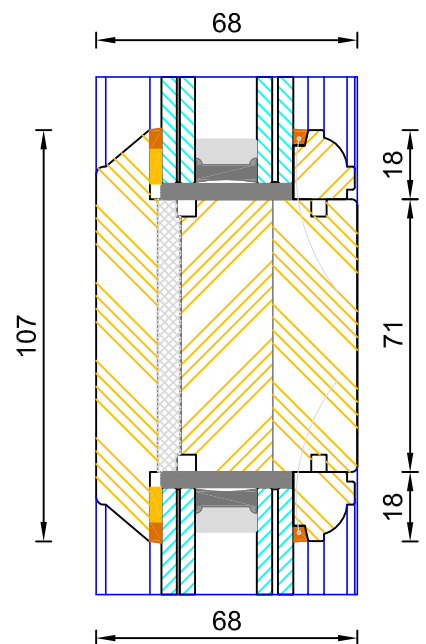
Section A-A



Section D-D



Section C-C



Typical sections showing acoustic glass - 9.5/16Ar/8.8T(Aku) CG A 1.0 (**45dB**) For full sectional details please refer to our standard double glazed sections



**Traditional Open Out Flush Entrance Door  
Frame & Leaf Sections - Acoustic Rating 42dB**

DIMENSIONS	PLOT SIZE	SCALE	DATE	REV	DWG NO.
MM	A2	1:1	29.08.2019	B	<b>2472</b>
Please consider the environment before printing					