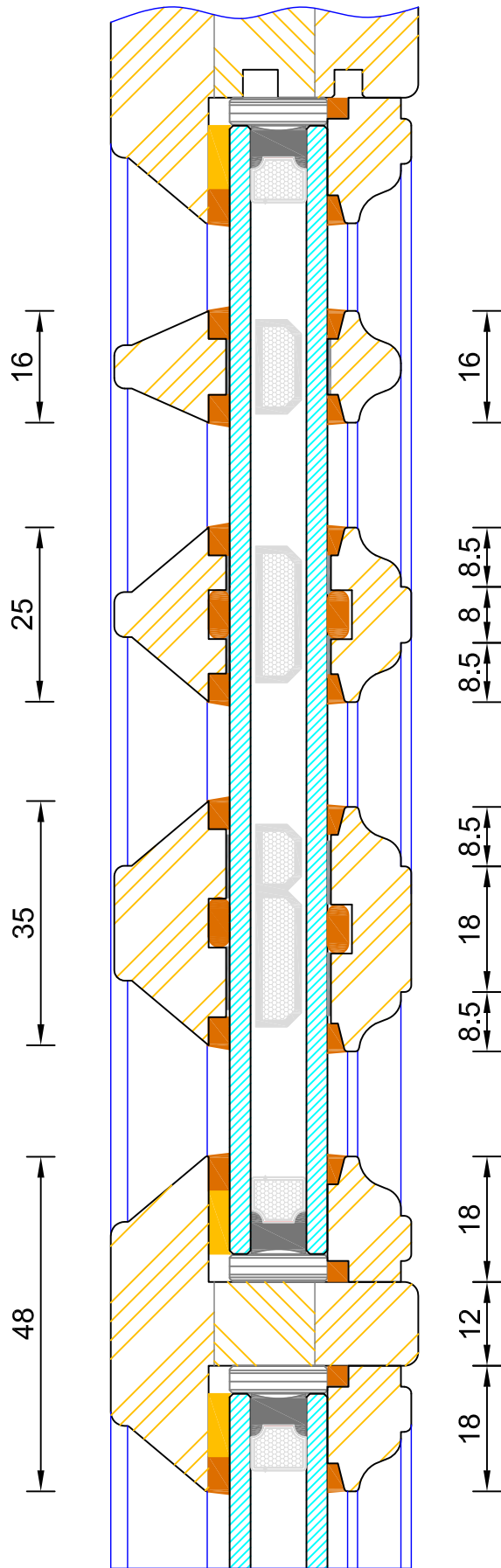


Heritage Slim-Line Sliding Sash Cords & Weights Cill Extension Options

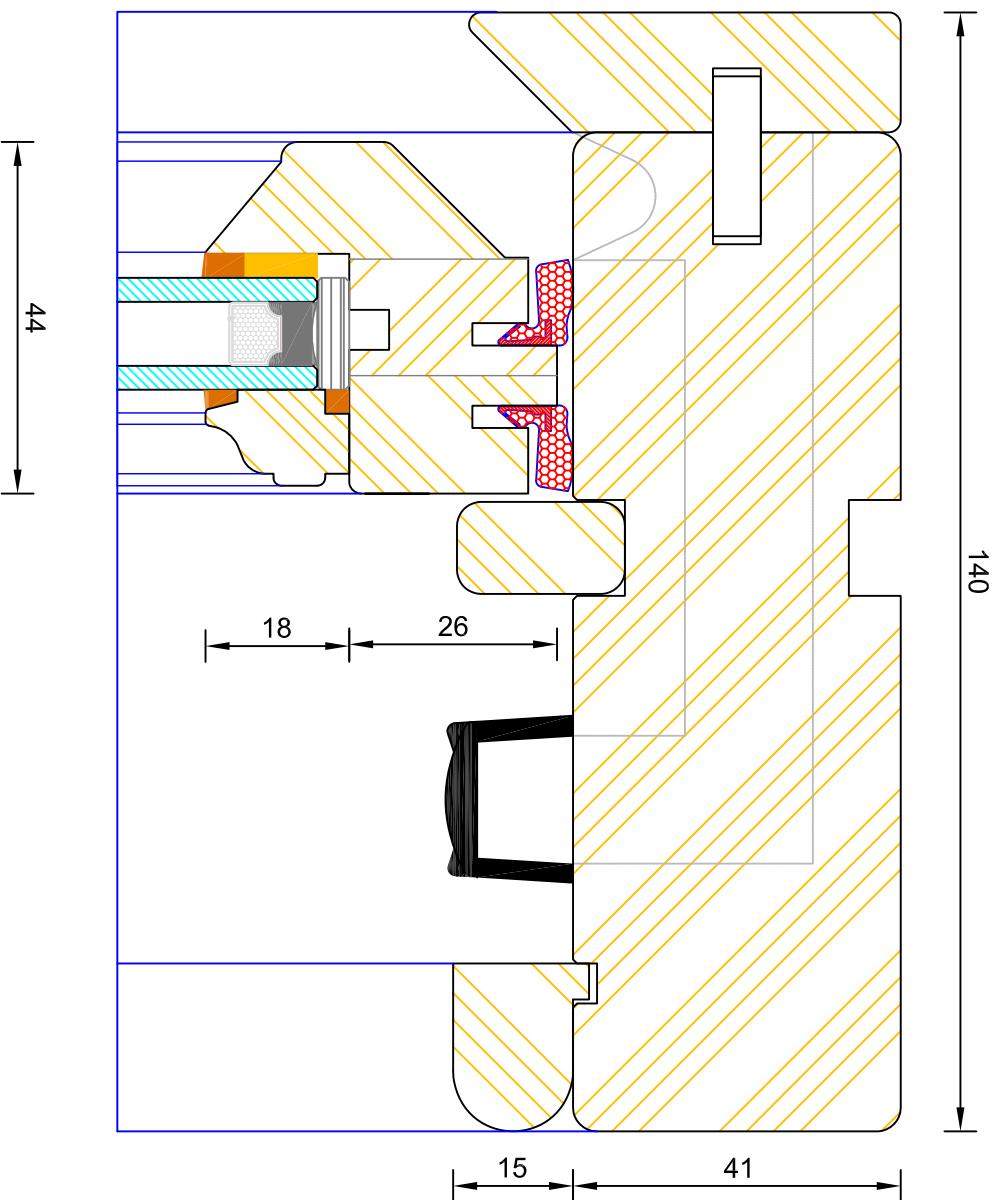
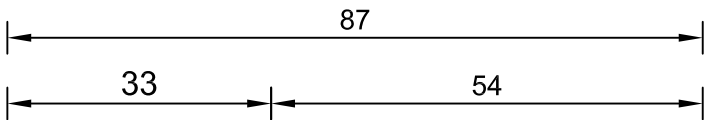
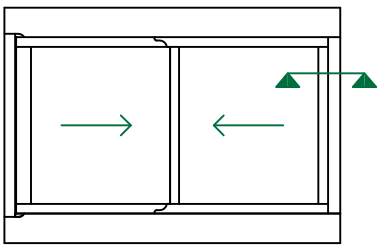
DIMENSIONS	PLOT SIZE	SCALE	DATE	REV	DWG NO.
MM	A4	1:1	08.10.2019	C	2701

Please consider the environment before printing



Heritage Slim-Line Sliding Sash Cords & Weights Bar Options

DIMENSIONS	PLOT SIZE	SCALE	DATE	REV	DWG NO.
MM	A4	1:1	01.01.2019	B	2702
Please consider the environment before printing					

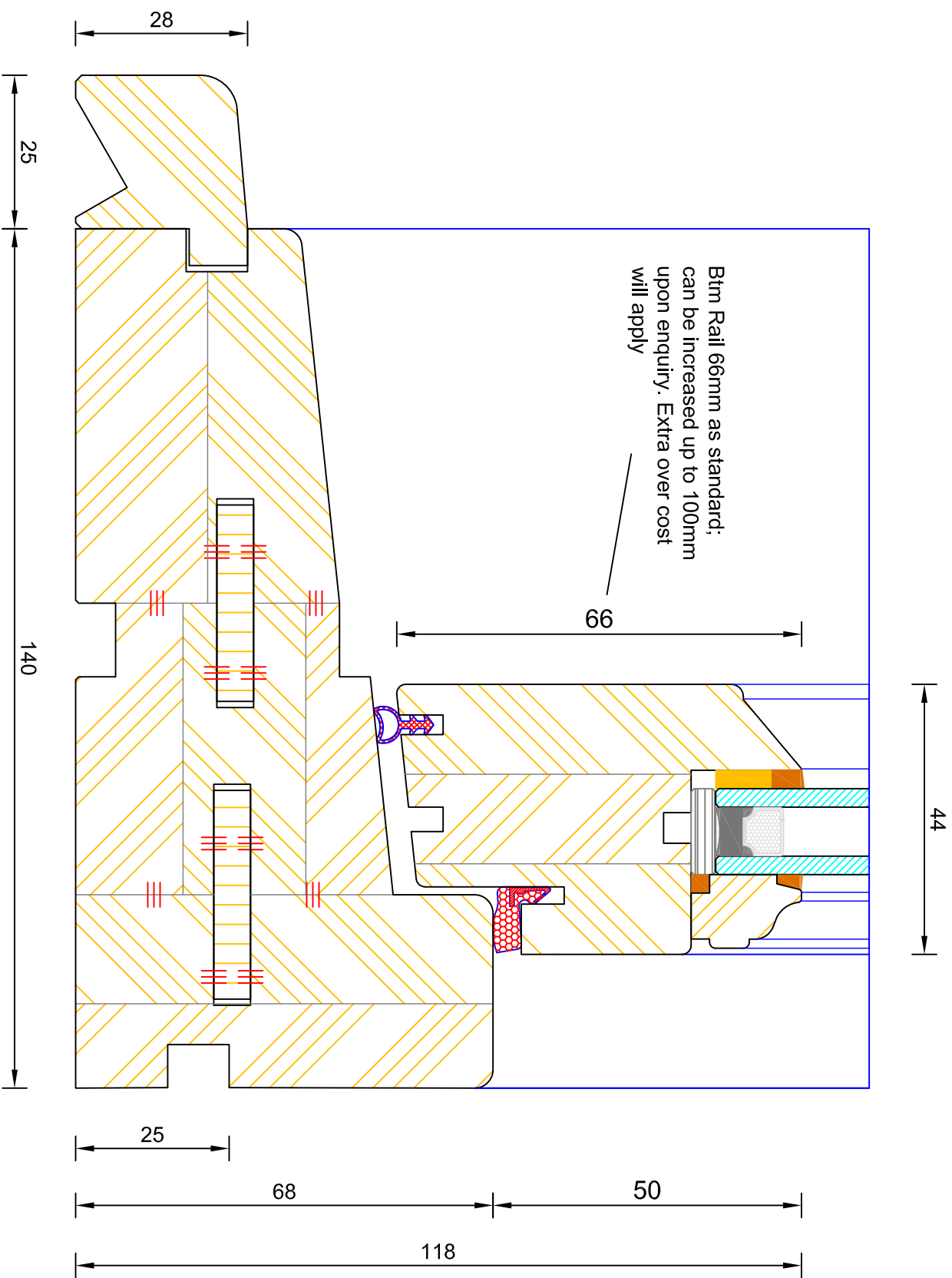
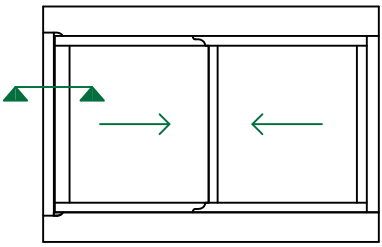


**Heritage Slim-Line Sliding Sash Cords & Weights
Frame & Sash Head (With Vent)**

DIMENSIONS	PLOT SIZE	SCALE	DATE	REV	DWG. NO.
MM	A4	1:1	01.01.2019	B	2703

Please consider the environment before printing

Note: Detail Used
1 / If order has vents specified



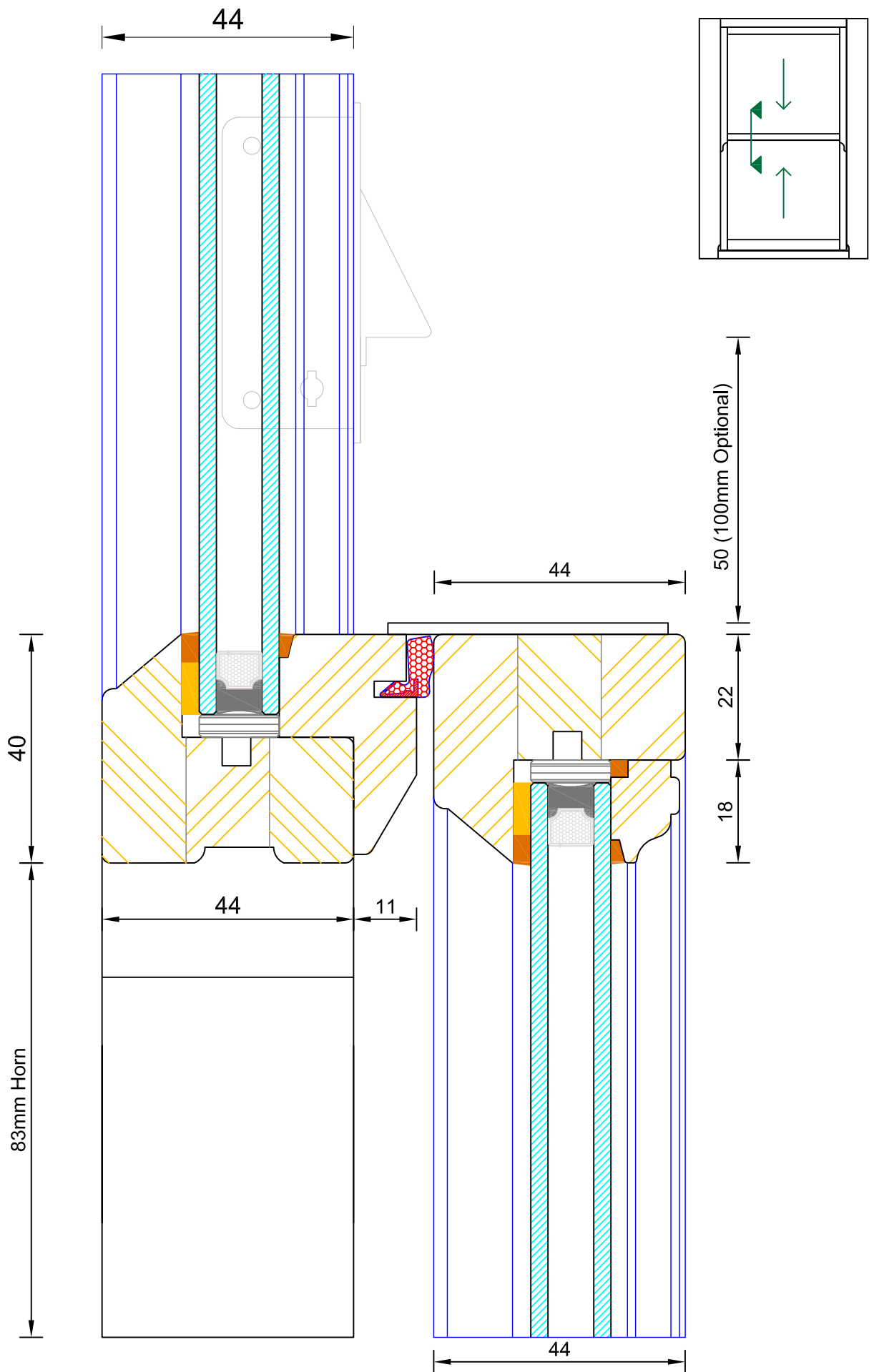
Heritage Slim-Line Sliding Sash Cords & Weights
Frame & Sash Cill

DIMENSIONS	PLOT SIZE	SCALE	DATE	REV	DWG. NO.
MM	A4	1:1	01.01.2019	B	2704

Please consider the environment before printing

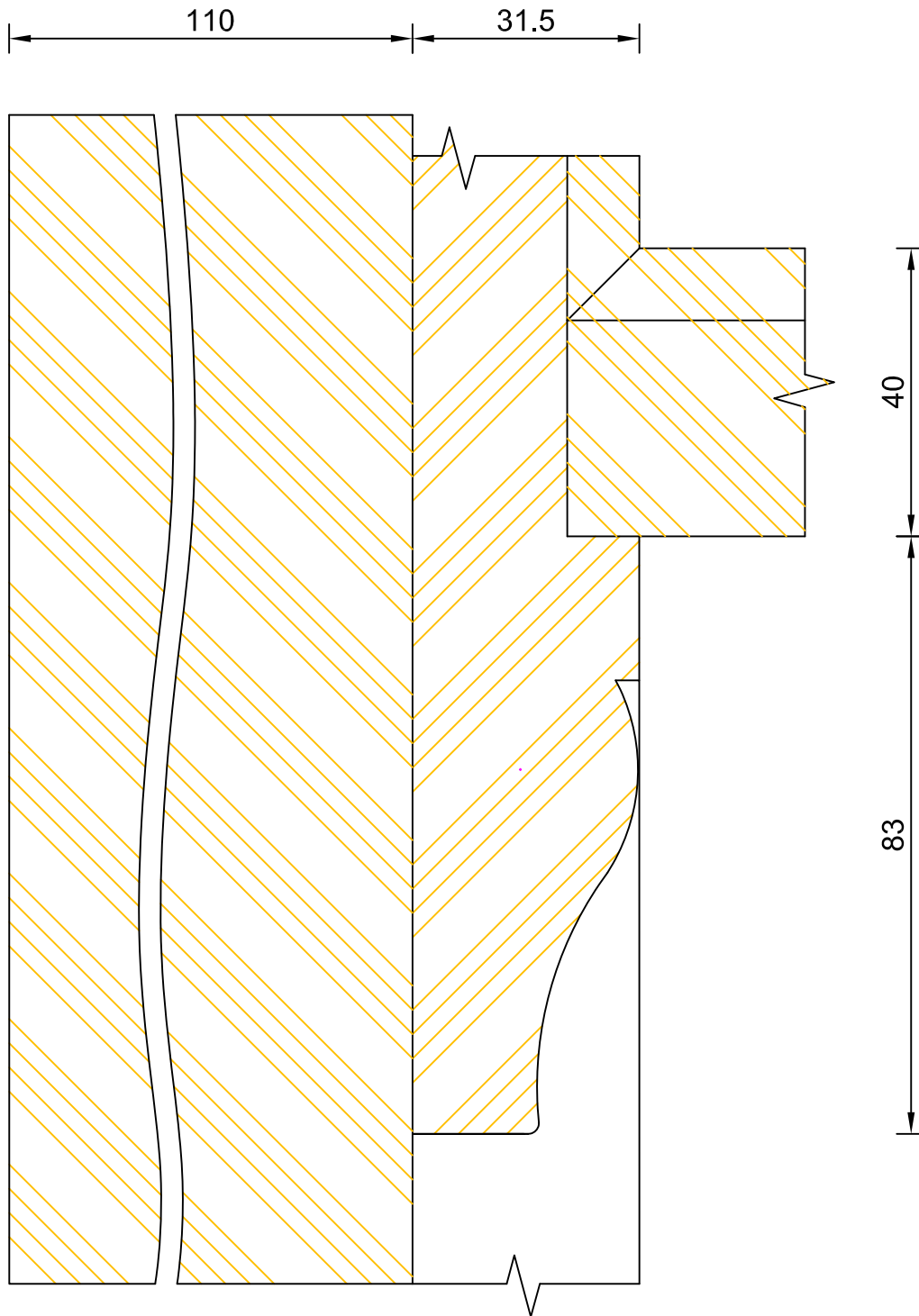
CILL EXTENSION - available options:
 25mm (193mm o/a) / 47mm (215mm o/a) /
 62mm (230mm o/a) / 87mm (255mm o/a) /
 100mm (268mm o/a) / 144mm (282mm o/a) /
 140mm (308mm o/a)





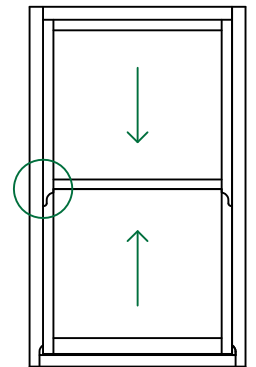
Heritage Slim-Line Sliding Sash Cords & Weights Meeting Rail

DIMENSIONS	PLOT SIZE	SCALE	DATE	REV	DWG NO.
MM	A4	1:1	01.01.2019	B	2705
Please consider the environment before printing					



Horn Design: BELSAY

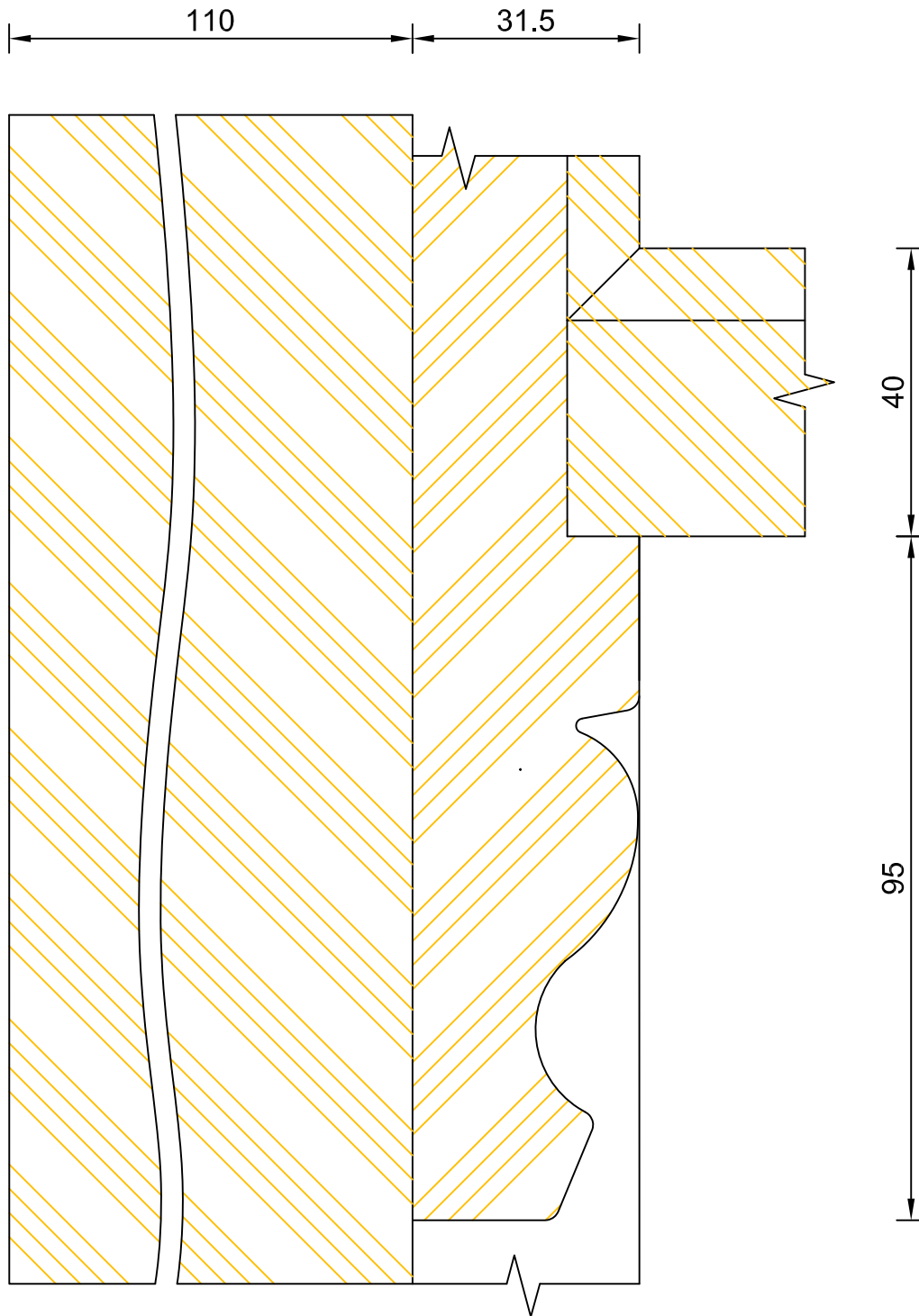
Top Sash Horn Viewed From Outside



Heritage Slim-Line Sliding Sash Cords & Weights
Horns to Top Sash Only - Type B (Std Design)

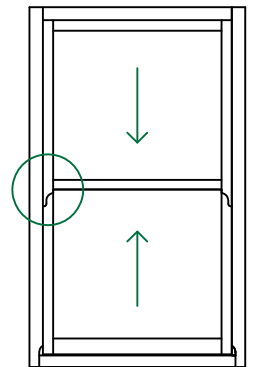
DIMENSIONS	PLOT SIZE	SCALE	DATE	REV	DWG NO.
MM	A4	1:1	10.04.2018	A	2708.1

Please consider the environment before printing



Horn Design: CAMBER

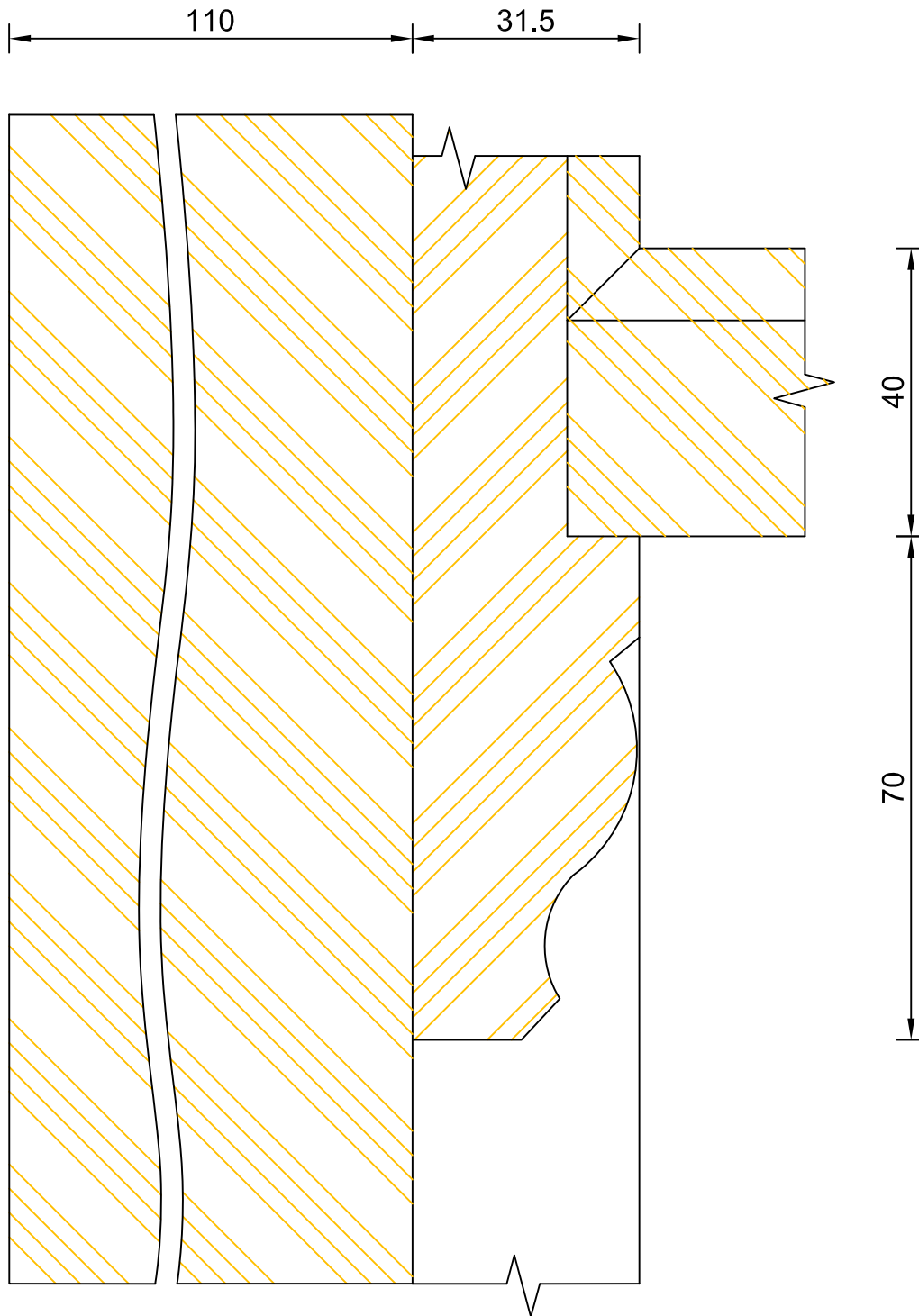
Top Sash Horn Viewed From Outside



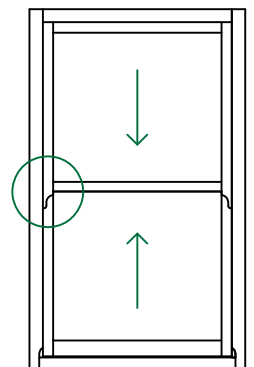
Heritage Slim-Line Sliding Sash Cords & Weights
Horns to Top Sash Only - Type C (Design Option)

DIMENSIONS	PLOT SIZE	SCALE	DATE	REV	DWG NO.
MM	A4	1:1	10.04.2018	A	2708.2

Please consider the environment before printing



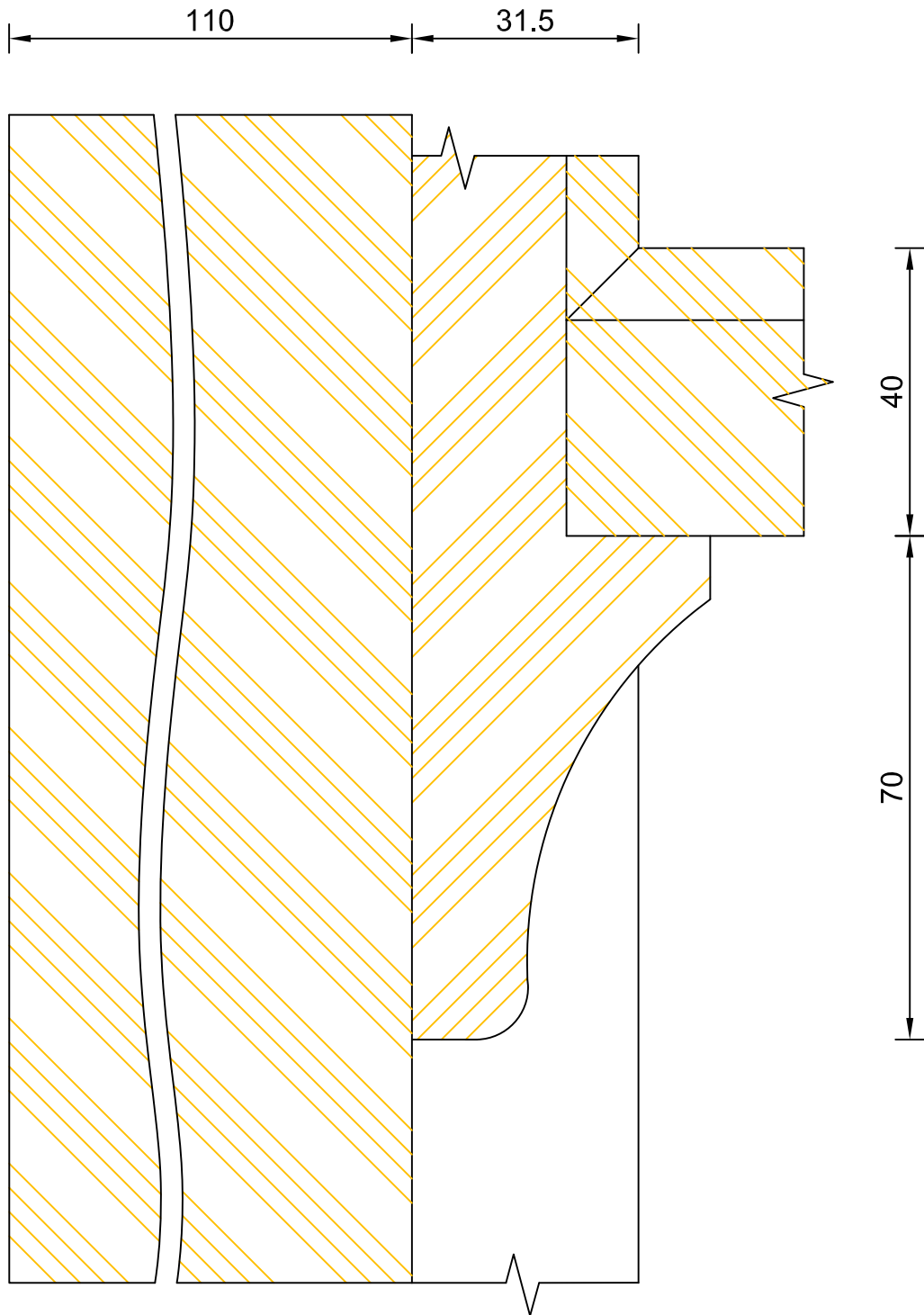
Horn Design: DALTON
 Top Sash Horn Viewed From Outside



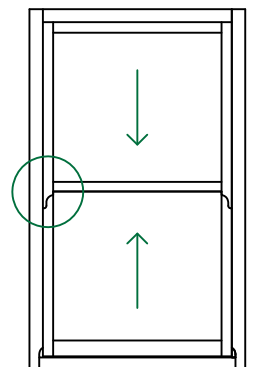
Heritage Slim-Line Sliding Sash Cords & Weights
 Horns to Top Sash Only - Type D (Design Option)

DIMENSIONS	PLOT SIZE	SCALE	DATE	REV	DWG NO.
MM	A4	1:1	10.04.2018	A	2708.3

Please consider the environment before printing



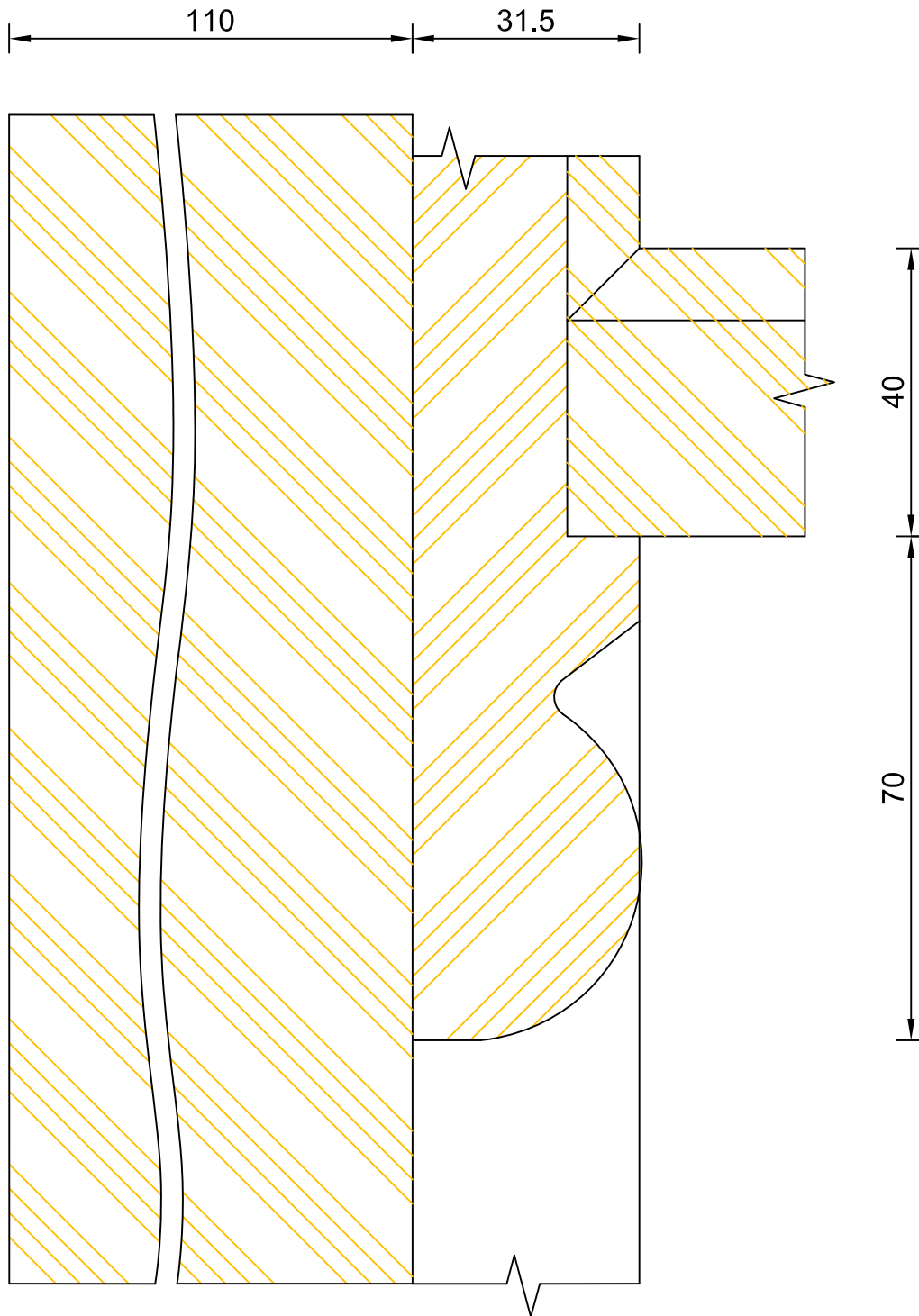
Horn Design: ELSDON
 Top Sash Horn Viewed From Outside



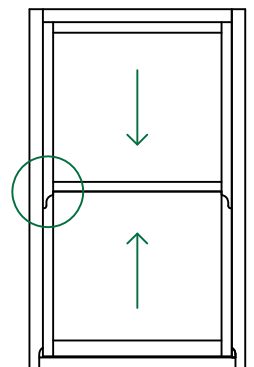
Heritage Slim-Line Sliding Sash Cords & Weights
 Horns to Top Sash Only - Type E (Design Option)

DIMENSIONS	PLOT SIZE	SCALE	DATE	REV	DWG NO.
MM	A4	1:1	10.04.2018	A	2708.4

Please consider the environment before printing



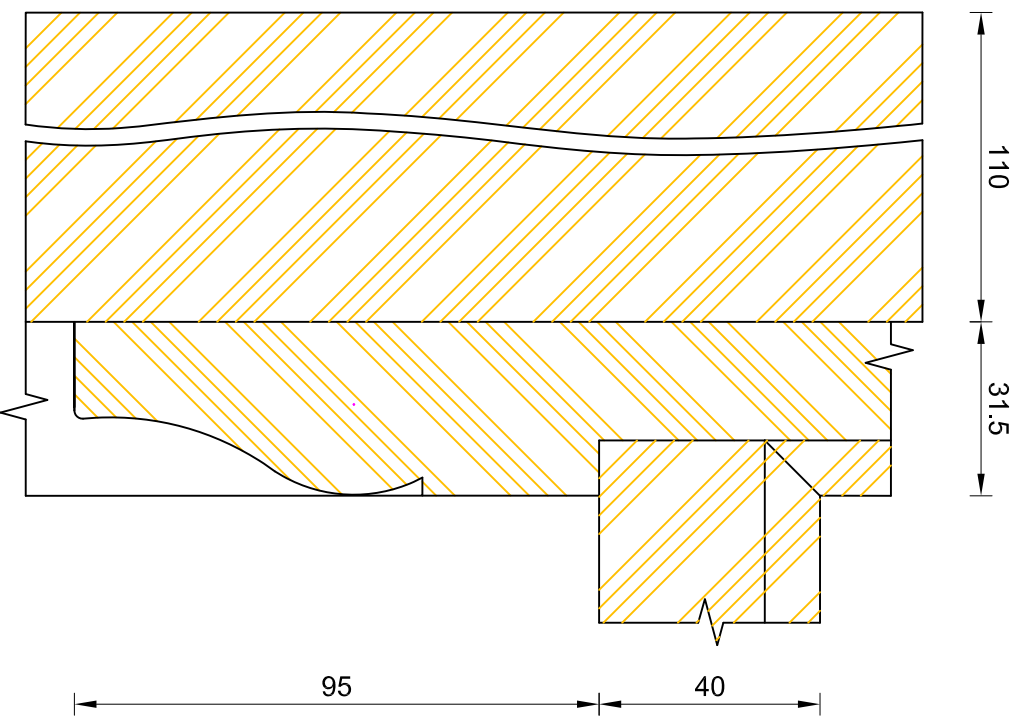
Horn Design: FARNHAM
 Top Sash Horn Viewed From Outside



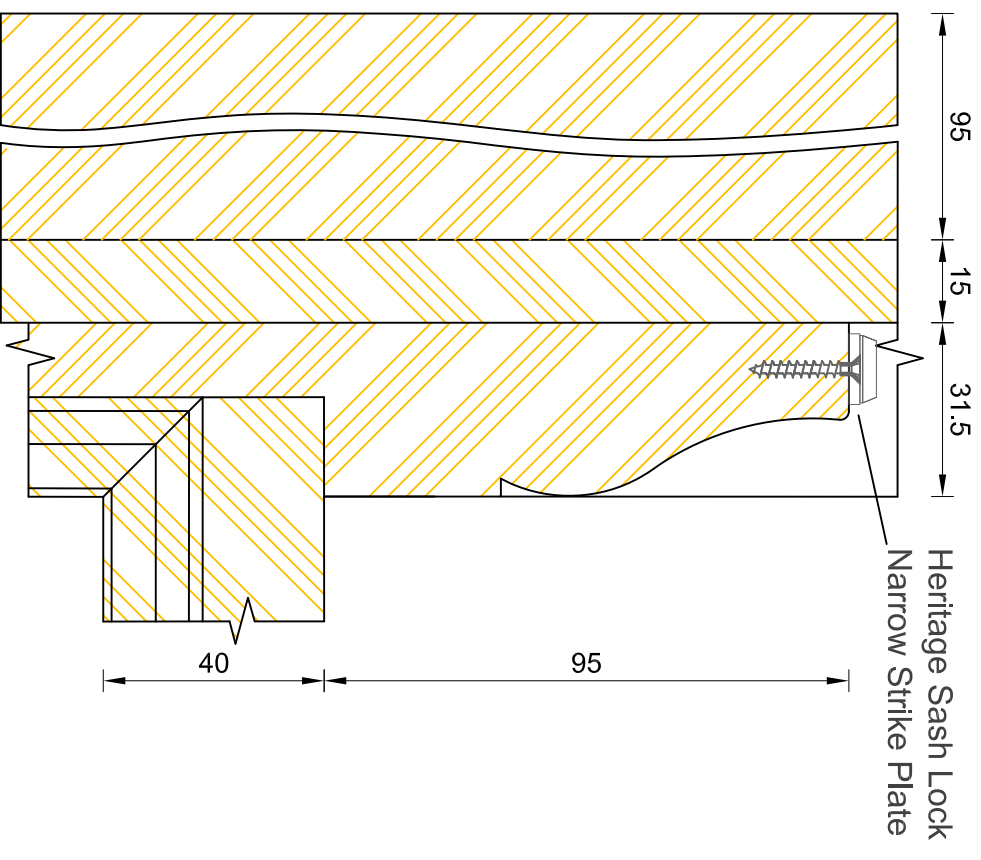
Heritage Slim-Line Sliding Sash Cords & Weights
 Horns to Top Sash Only - Type F (Design Option)

DIMENSIONS	PLOT SIZE	SCALE	DATE	REV	DWG NO.
MM	A4	1:1	10.04.2018	A	2708.5

Please consider the environment before printing



Horn Design: AYDON
Top Sash Horn Viewed From Outside



Horn Design: AYDON
Bottom Sash Horn Viewed From Inside

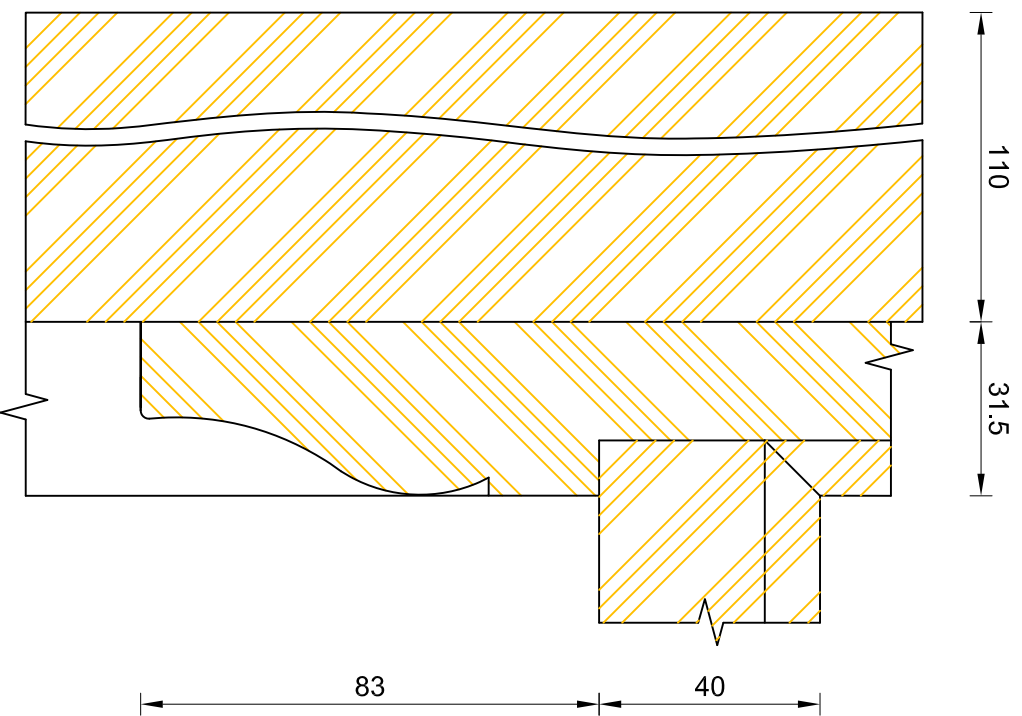
Heritage Slim-Line Sliding Sash Cords & Weights
Horns to Top & Bottom Sashes - Type A (Design Option)

DIMENSIONS	PLOT SIZE	SCALE	DATE	REV	DWG. NO.
MM	A3	1:1	10.04.2018	A	2708.6

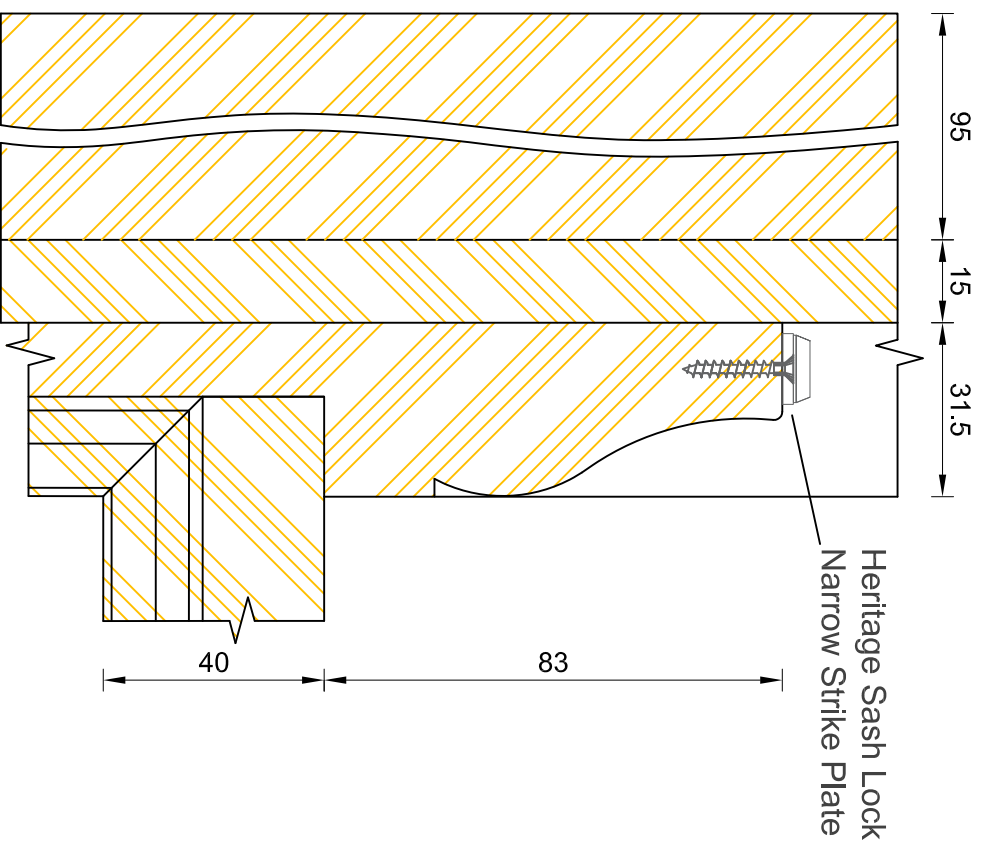
 Please consider the environment before printing



Bereco



Horn Design: BELSAY
Top Sash Horn Viewed From Outside

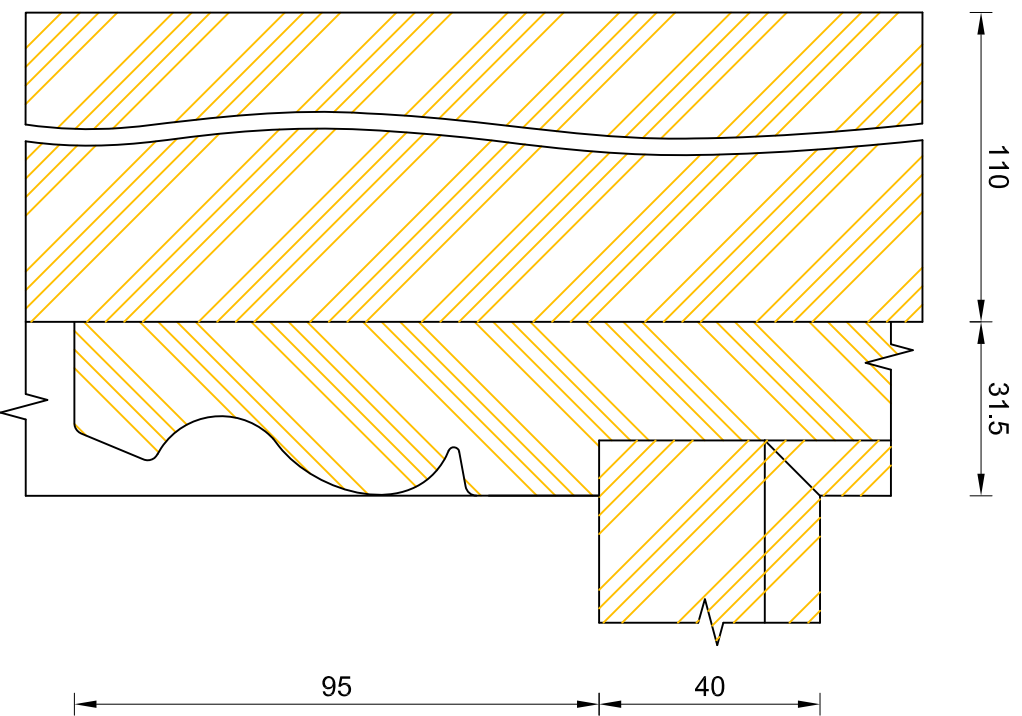


Horn Design: BELSAY
Bottom Sash Horn Viewed From Inside

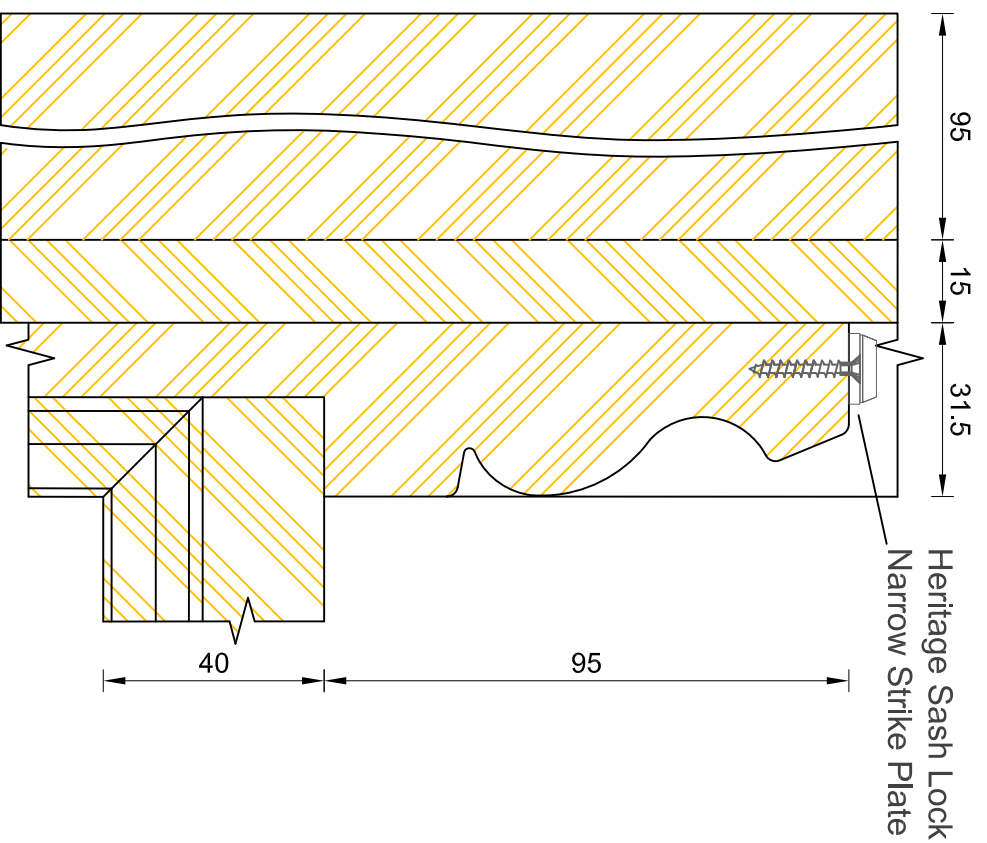
Heritage Slim-Line Sliding Sash Cords & Weights
Horn to Top & Bottom Sashes - Type B (Std Design)

DIMENSIONS	PLOT SIZE	SCALE	DATE	REV	DWG. NO.
MM	A3	1:1	10.04.2018	A	2708.7

Please consider the environment before printing



Horn Design: CAMBER
Top Sash Horn Viewed From Outside



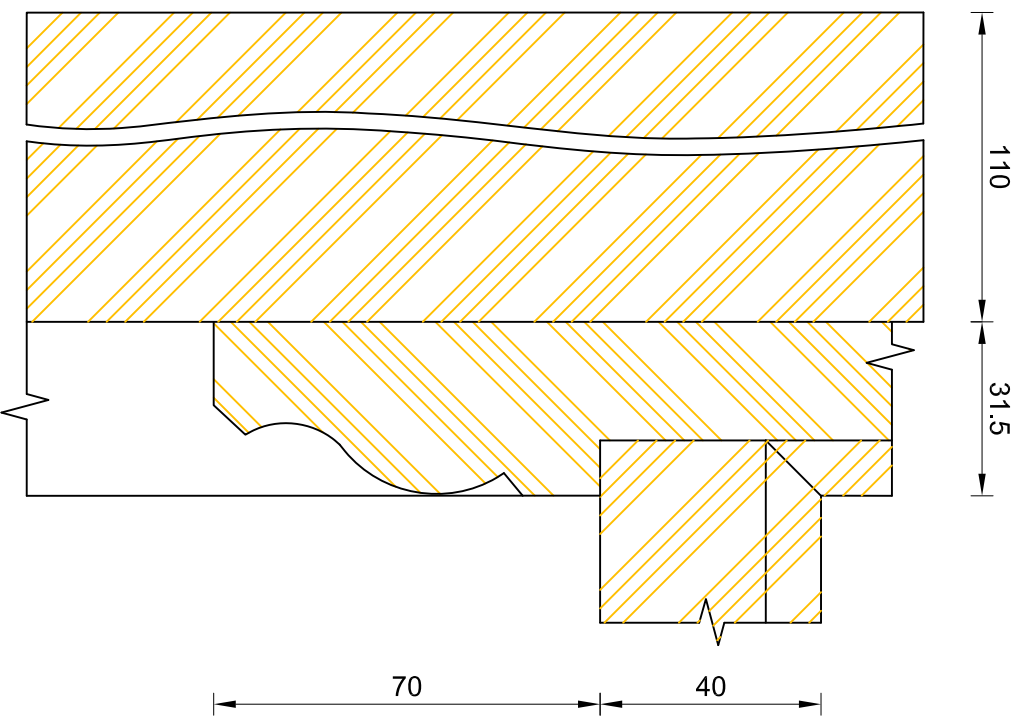
Horn Design: CAMBER
Bottom Sash Horn Viewed From Inside

Heritage Slim-Line Sliding Sash Cords & Weights
Horns to Top & Bottom Sashes - Type C (Design Option)

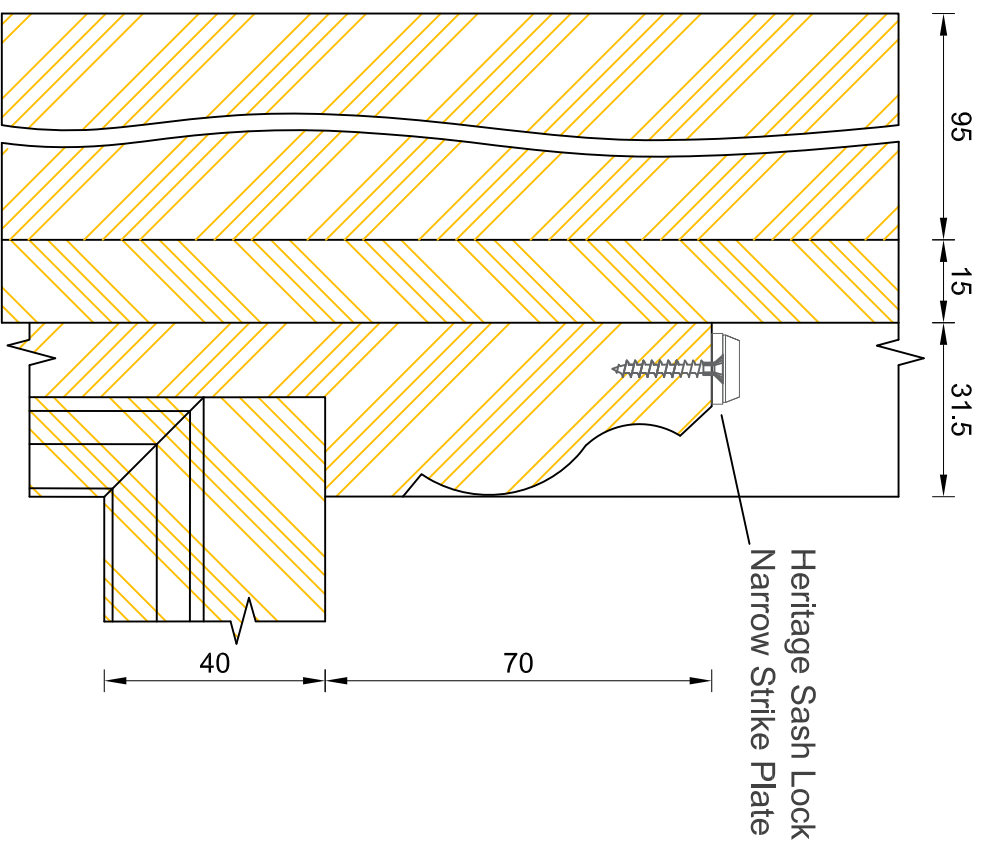
DIMENSIONS	PLOT SIZE	SCALE	DATE	REV	DWG. NO.
MM	A3	1:1	10.04.2018	A	2708.8

Please consider the environment before printing





Horn Design: DALTON
Top Sash Horn Viewed From Outside



Horn Design: DALTON
Bottom Sash Horn Viewed From Inside

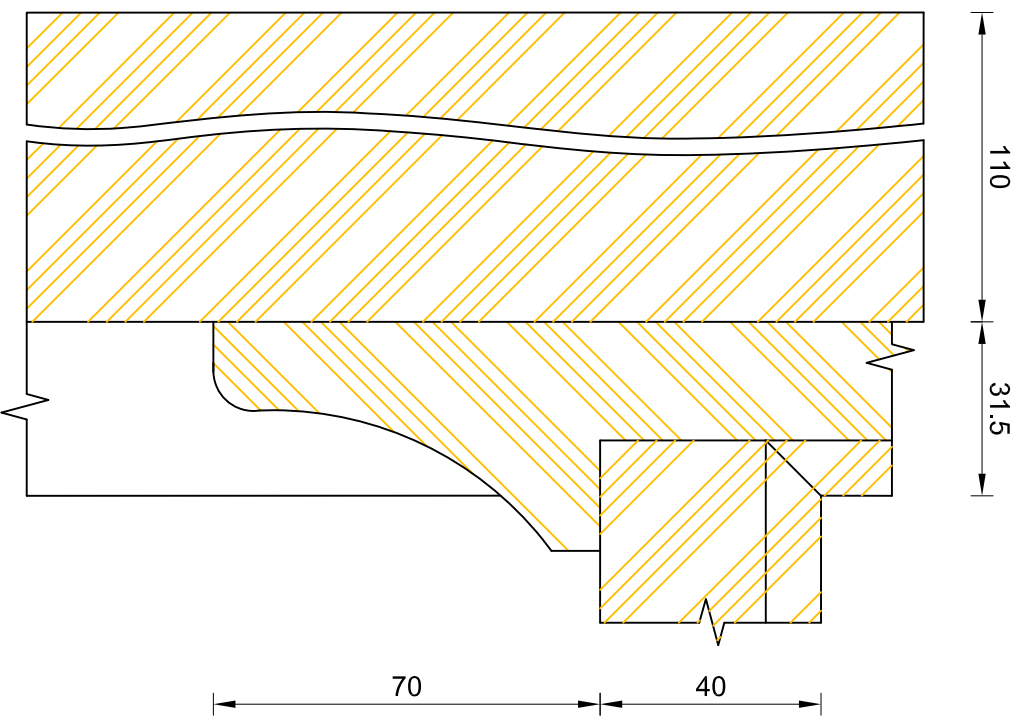
Heritage Slim-Line Sliding Sash Cords & Weights
Horns to Top & Bottom Sashes - Type D (Design Option)

DIMENSIONS	PLOT SIZE	SCALE	DATE	REV	DWG. NO.
MM	A3	1:1	10.04.2018	A	2708.9

 Please consider the environment before printing

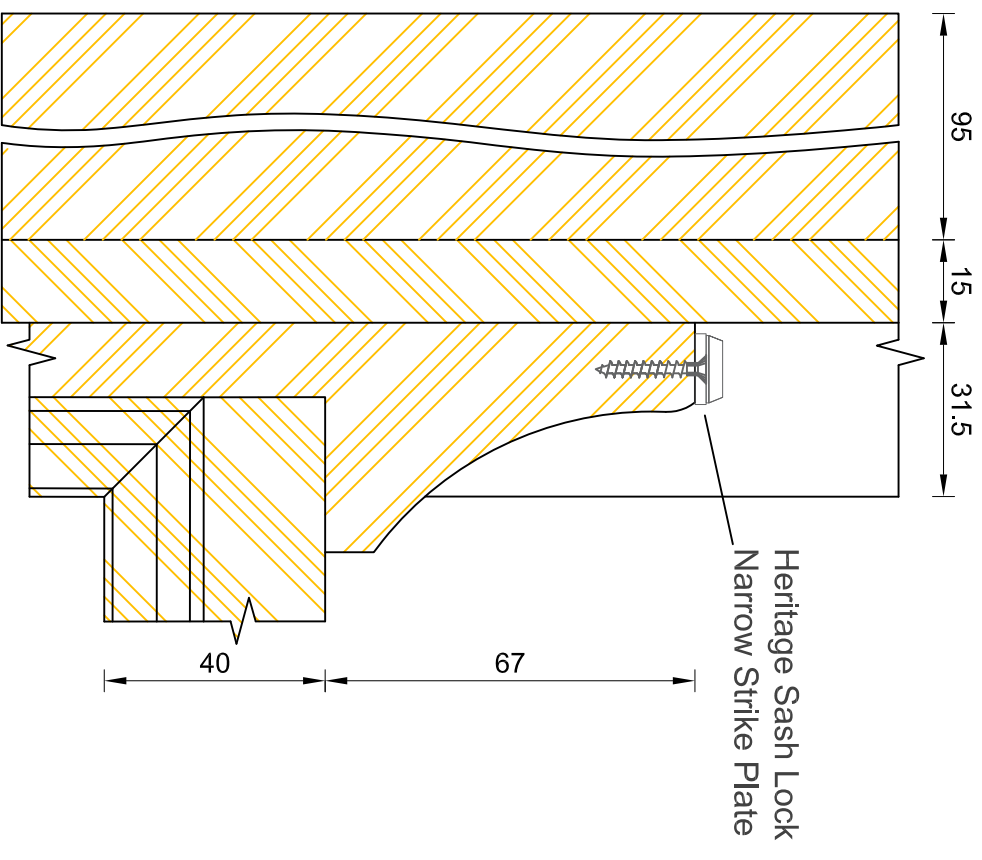


Bereco



Horn Design: ELSDON

Top Sash Horn Viewed From Outside



Horn Design: ELSDON

Bottom Sash Horn Viewed From Inside

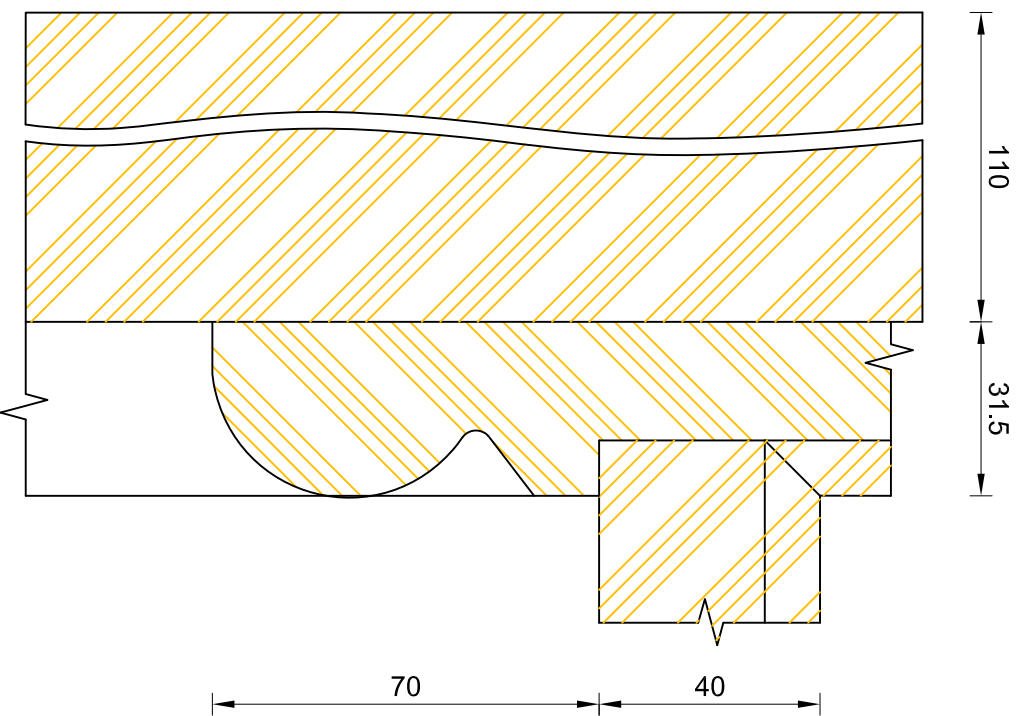
Heritage Slim-Line Sliding Sash Cords & Weights
 Horns to Top & Bottom Sashes - Type E (Design Option)

DIMENSIONS	PLOT SIZE	SCALE	DATE	REV	DWG. NO.
MM	A3	1:1	10.04.2018	A	2708.10

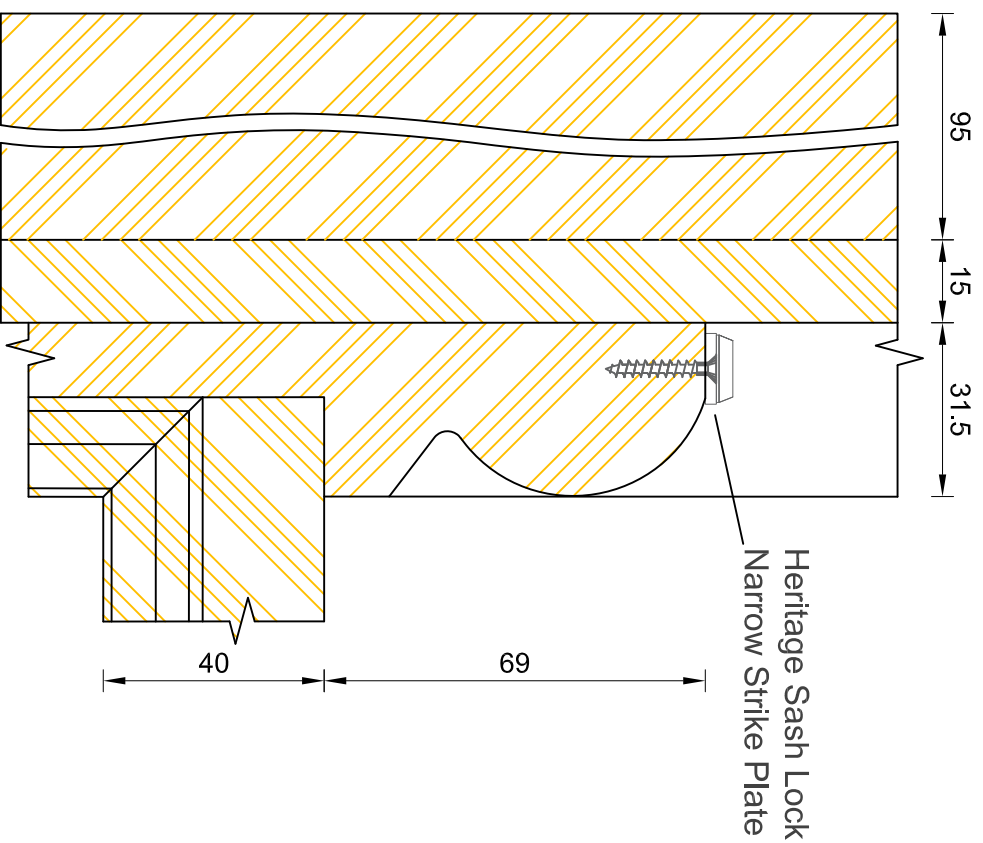
Please consider the environment before printing



Bereco



Horn Design: FARNHAM
 Top Sash Horn Viewed From Outside



Horn Design: FARNHAM
 Bottom Sash Horn Viewed From Inside

Heritage Slim-Line Sliding Sash Cords & Weights
 Horns to Top & Bottom Sashes - Type F (Design Option)

DIMENSIONS	PLOT SIZE	SCALE	DATE	REV	DWG. NO.
MM	A3	1:1	10.04.2018	A	2708.11

 Please consider the environment before printing



Bereco

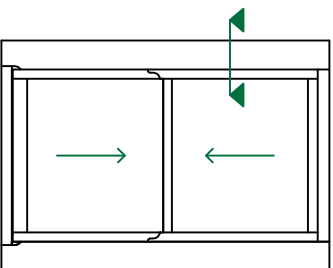
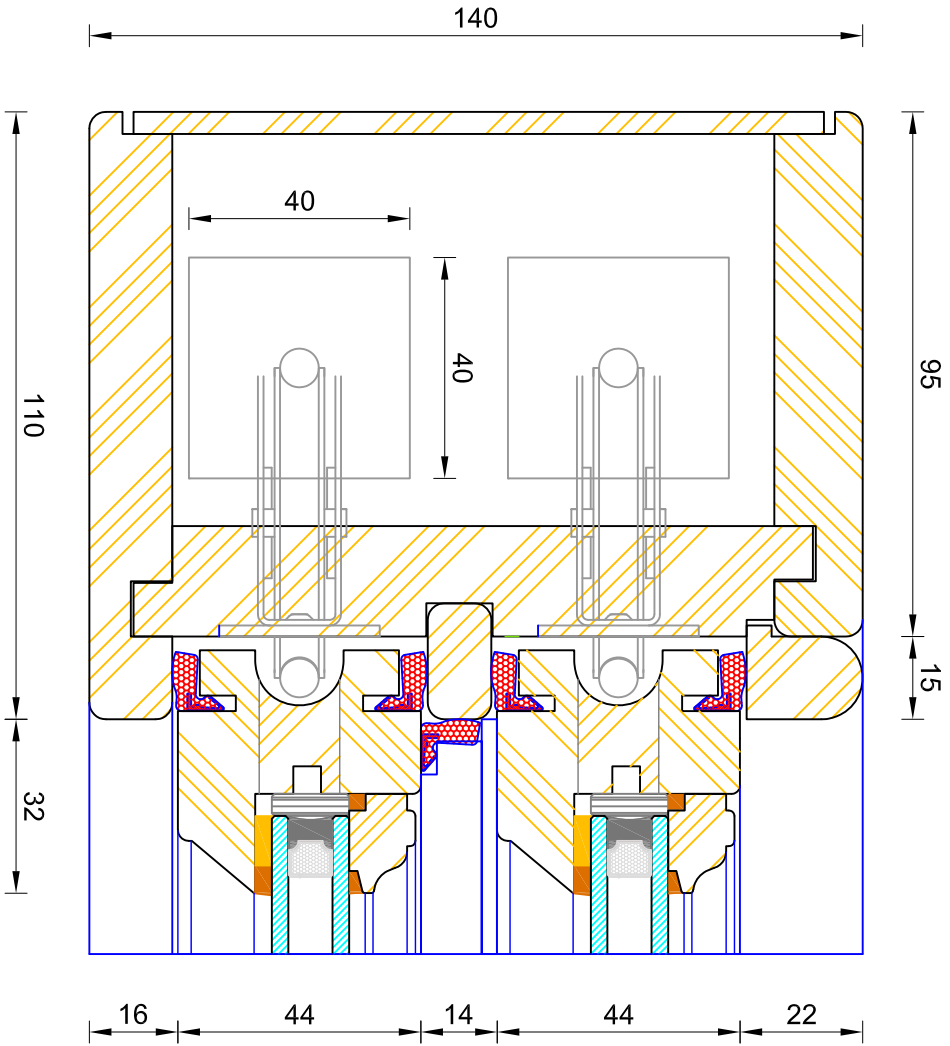


Bereco

Heritage Slim-Line Sliding Sash Cords & Weights Frame & Sash Jamb (Standard)

DIMENSIONS	PLOT SIZE	SCALE	DATE	REV	DWG. NO.
MM	A3	1:1	01.01.2019	B	2706

 Please consider the environment before printing



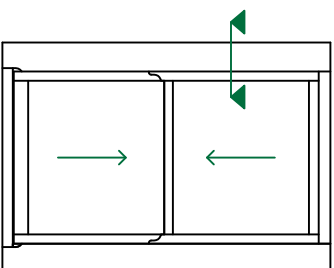
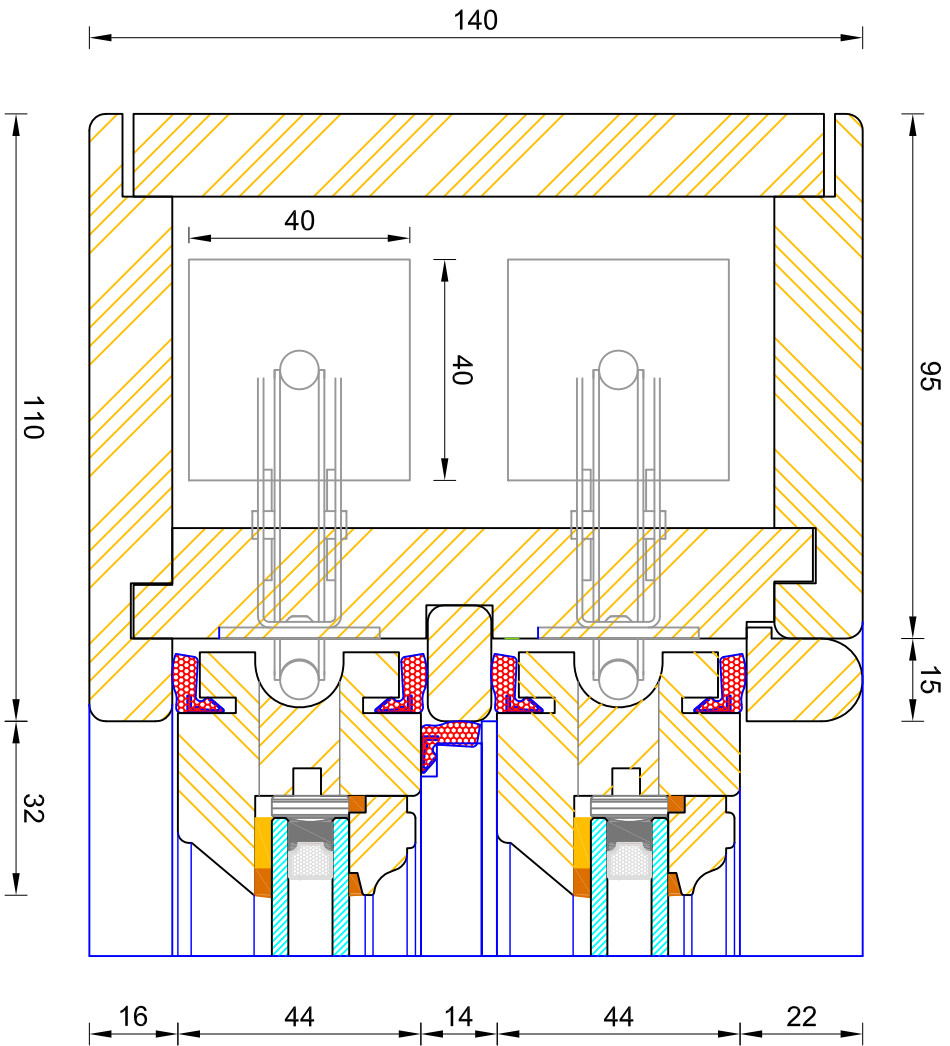


Bereco

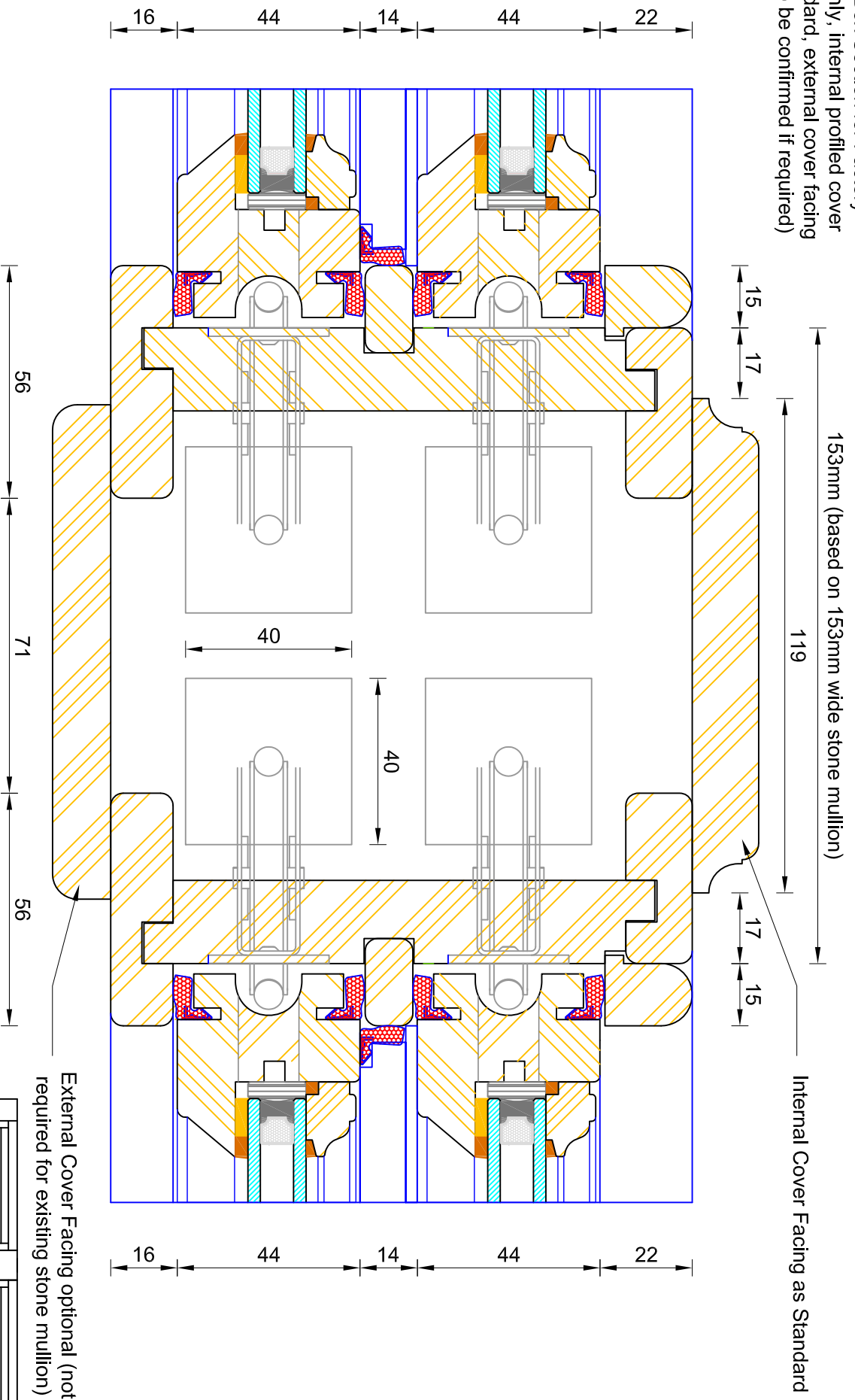
Heritage Slim-Line Sliding Sash Cords & Weights Frame & Sash Jamb (Optional)

DIMENSIONS	PLOT SIZE	SCALE	DATE	REV	DWG. NO.
MM	A3	1:1	01.01.2019	B	2707

 Please consider the environment before printing



Standard Box Section for Factory -
coupling only, internal profiled cover
facing standard, external cover facing
optional (to be confirmed if required)



Bereco

**Heritage Slim-Line Sliding Sash Cords & Weights
Frame & Sash Box Mullion (Factory Coupled)**

DIMENSIONS	PLOT SIZE	SCALE	DATE	REV	DWG. NO.
MM	A3	1:1	01.01.2019	B	2708

Please consider the environment before printing

