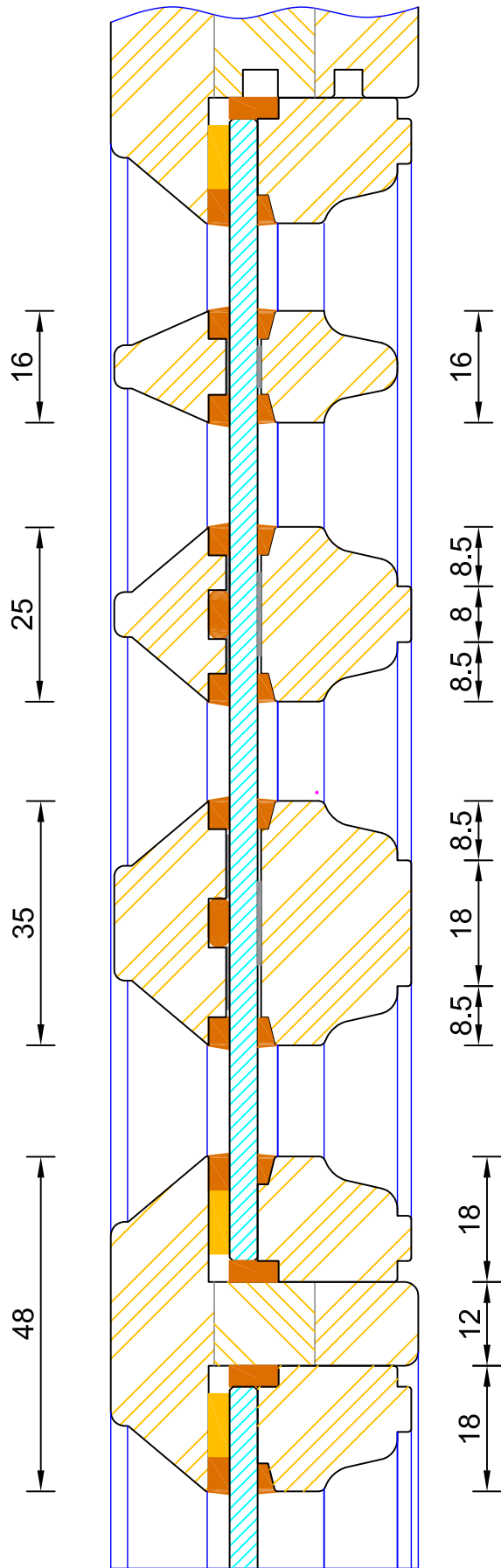


Heritage Single Glazed Sliding Sash Cords & Weights Cill Extension Options

DIMENSIONS	PLOT SIZE	SCALE	DATE	REV	DWG NO.
MM	A4	1:1	08.10.2019	B	2801

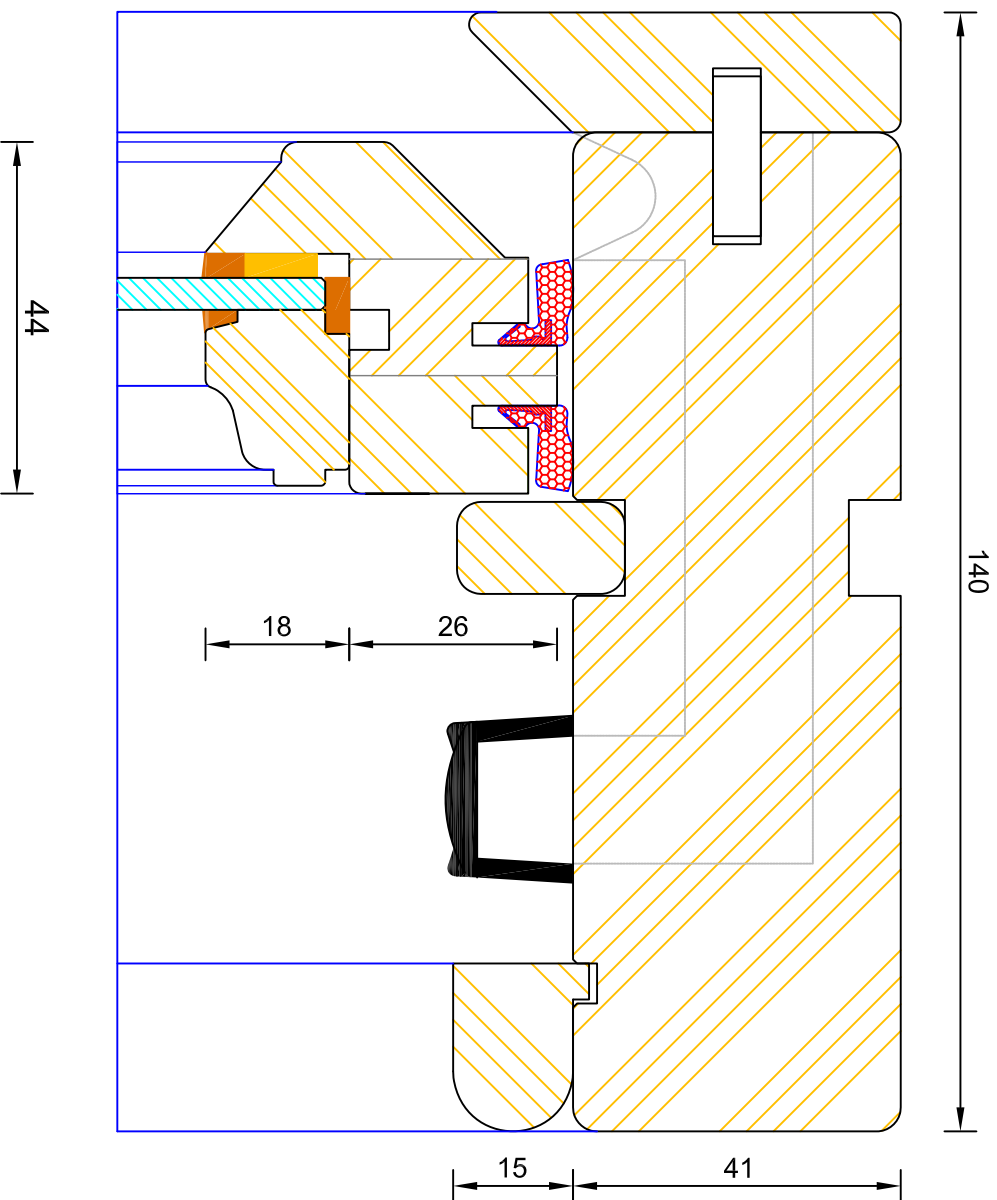
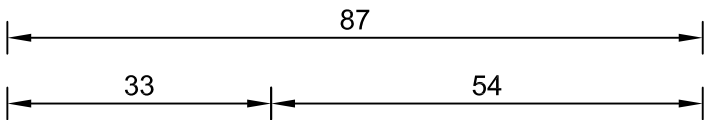
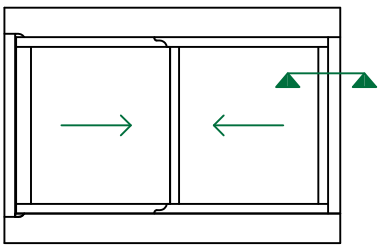
Please consider the environment before printing



Heritage Single Glazed Sliding Sash Cords & Weights Bar Options

DIMENSIONS	PLOT SIZE	SCALE	DATE	REV	DWG NO.
MM	A4	1:1			
					2802

Please consider the environment before printing

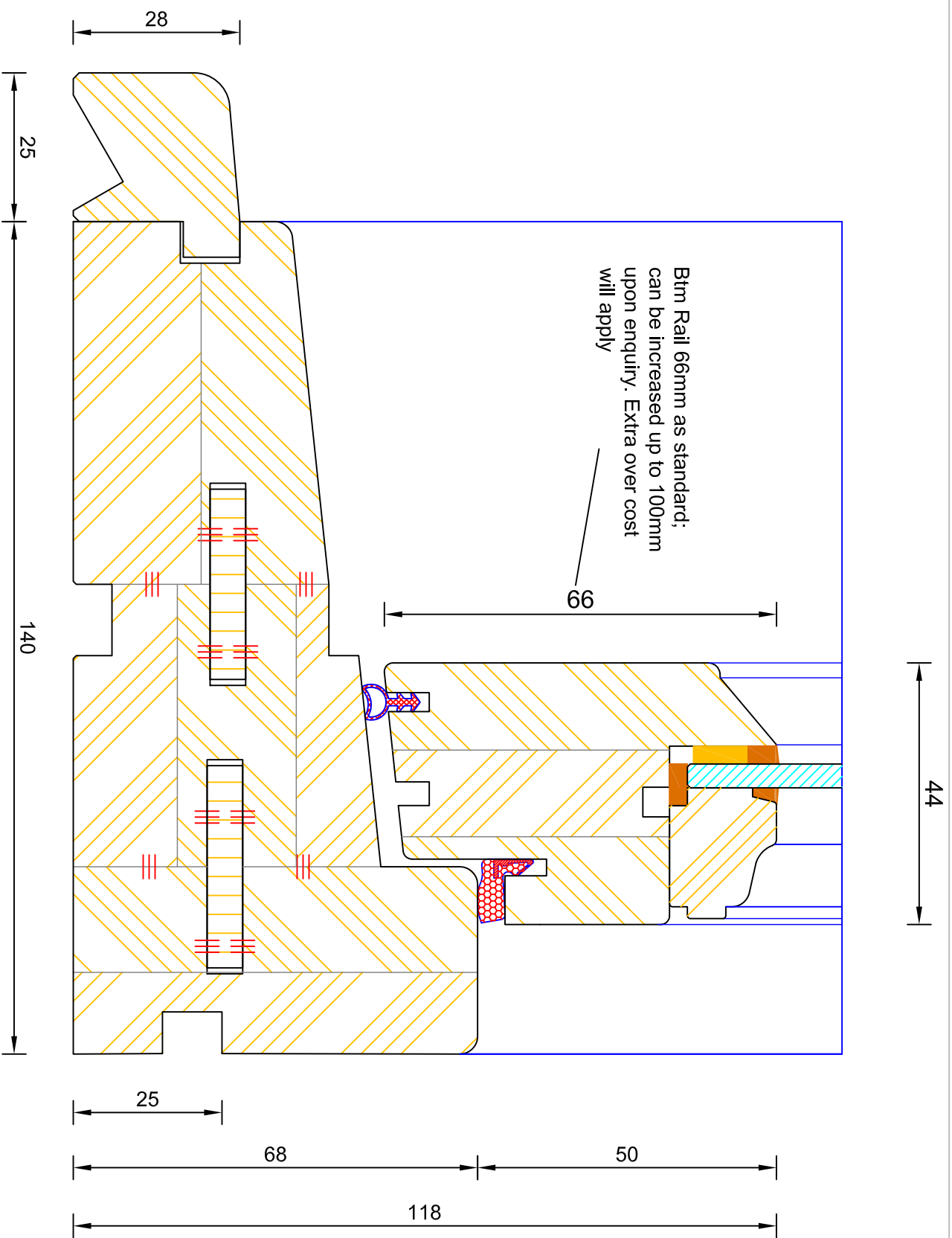
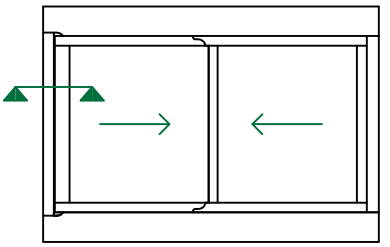


**Heritage Single Glazed Sliding Sash Cords & Weights
Frame & Sash Head (With Vent)**

DIMENSIONS	PLOT SIZE	SCALE	DATE	REV	DWG. NO.
MM	A4	1:1	01.01.2019	B	2803

Please consider the environment before printing

Note: Detail Used
1 / If order has vents specified



Bottom Rail 66mm as standard; can be increased up to 100mm upon enquiry. Extra over cost will apply

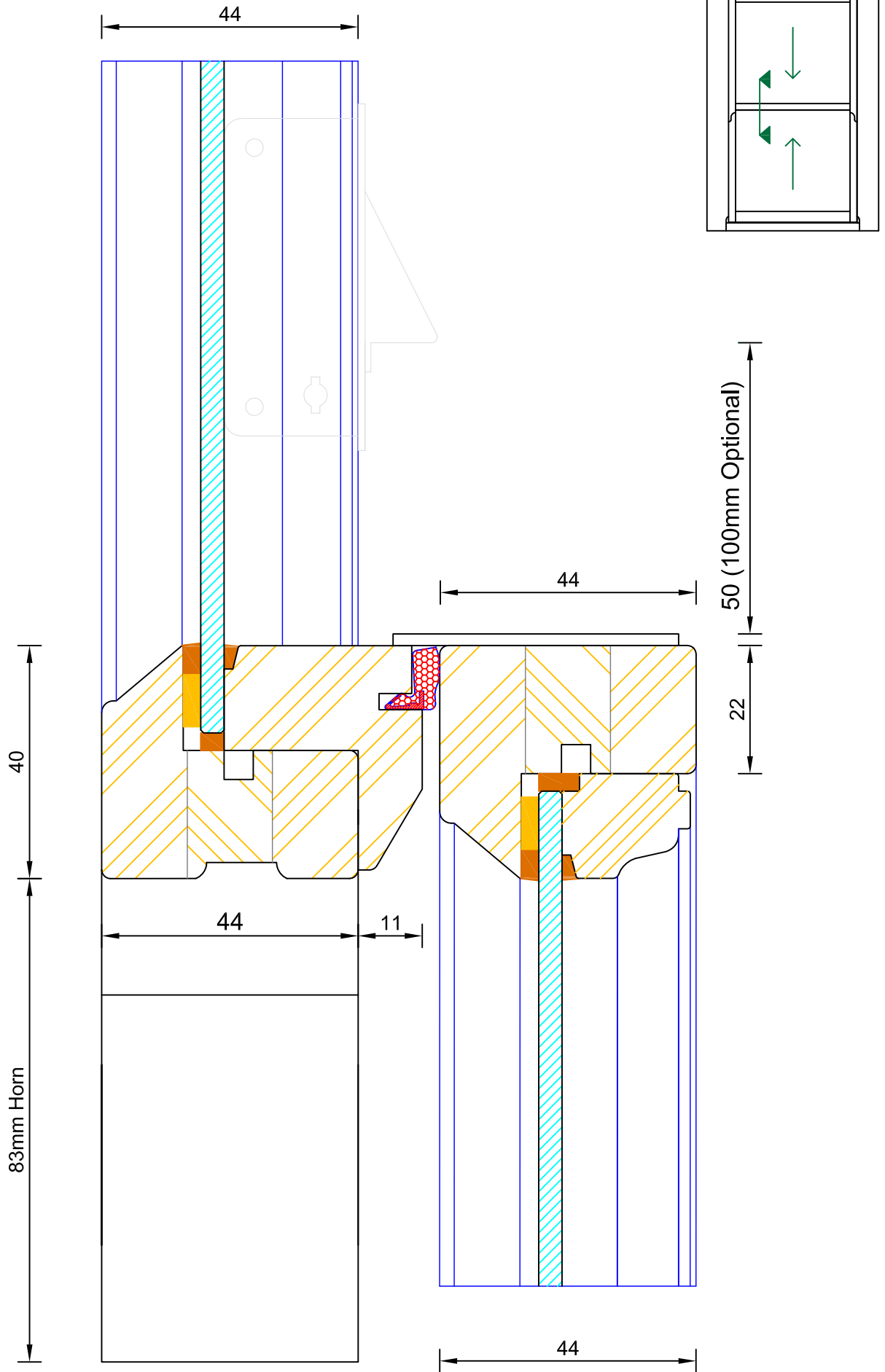
Heritage Single Glazed Sliding Sash Cords & Weights

DIMENSIONS	PLOT SIZE	SCALE	DATE	REV	DWG. NO.
MM	A4	1:1	01.01.2019	B	2804

Please consider the environment before printing

CILL EXTENSION - available options:
 25mm (193mm o/a) / 47mm (215mm o/a) /
 62mm (230mm o/a) / 87mm (255mm o/a) /
 100mm (268mm o/a) / 144mm (282mm o/a) /
 140mm (308mm o/a)

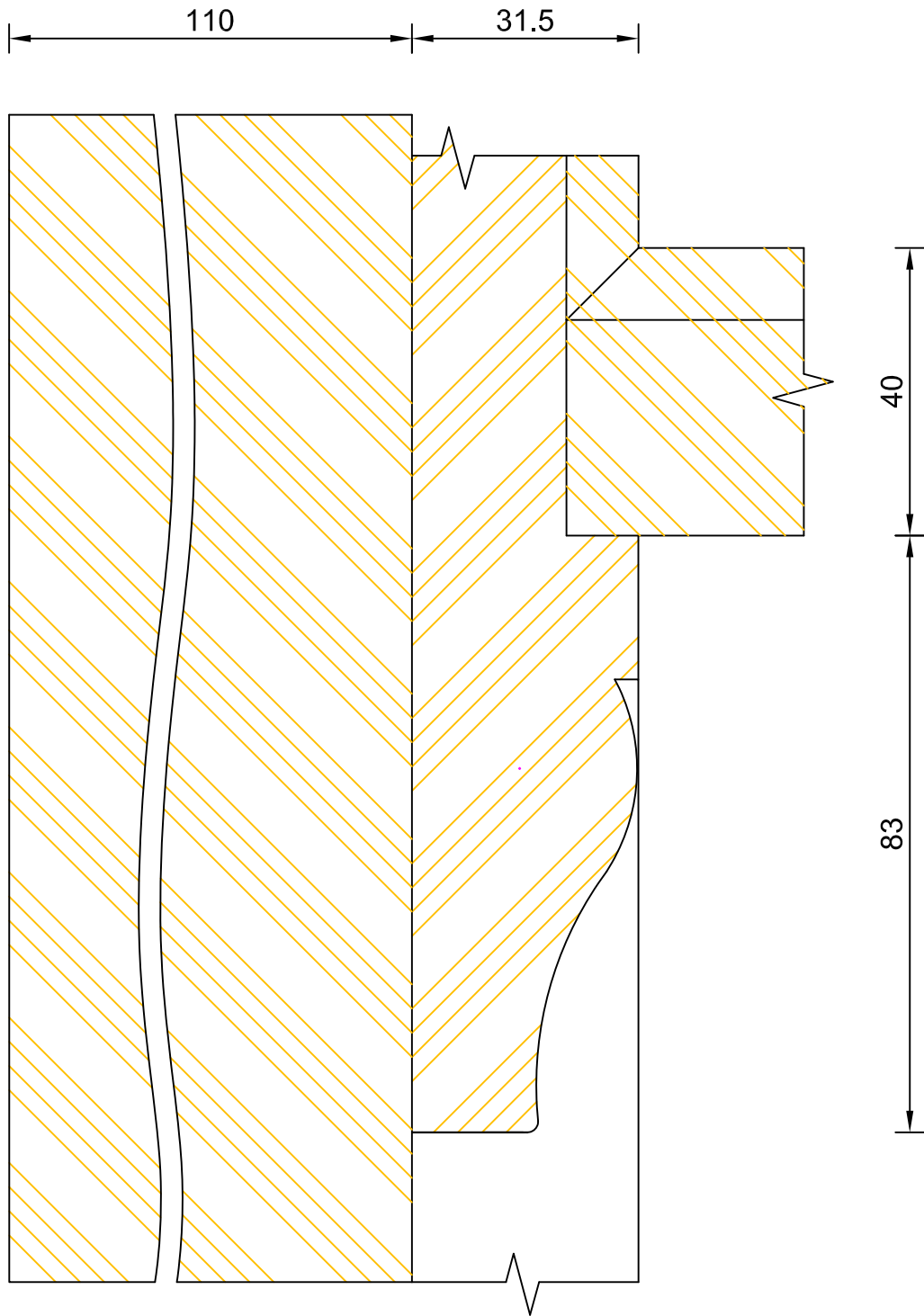




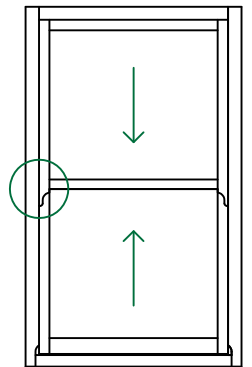
Heritage Single Glazed Sliding Sash Cords & Weights Meeting Rail

DIMENSIONS	PLOT SIZE	SCALE	DATE	REV	DWG NO.
MM	A4	1:1	01.01.2019	B	2805

Please consider the environment before printing



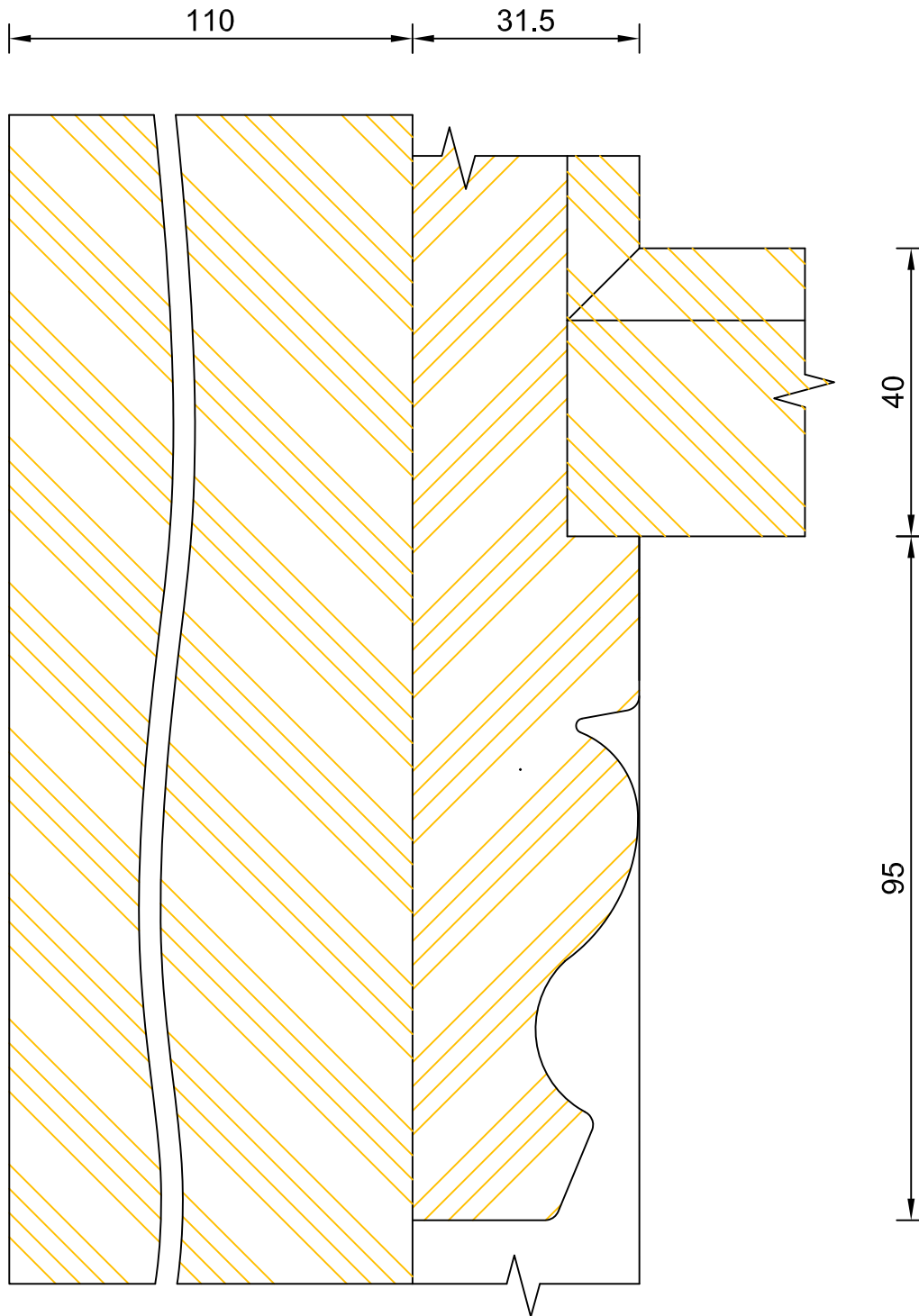
Horn Design: BELSAY
 Top Sash Horn Viewed From Outside



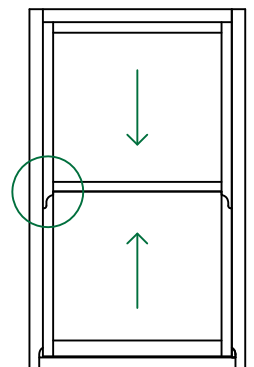
Heritage Single Glazed Sliding Sash Cords & Weights
 Horns to Top Sash Only - Type B (Std Design)

DIMENSIONS	PLOT SIZE	SCALE	DATE	REV	DWG NO.
MM	A4	1:1	10.04.2018	A	2808.1

Please consider the environment before printing



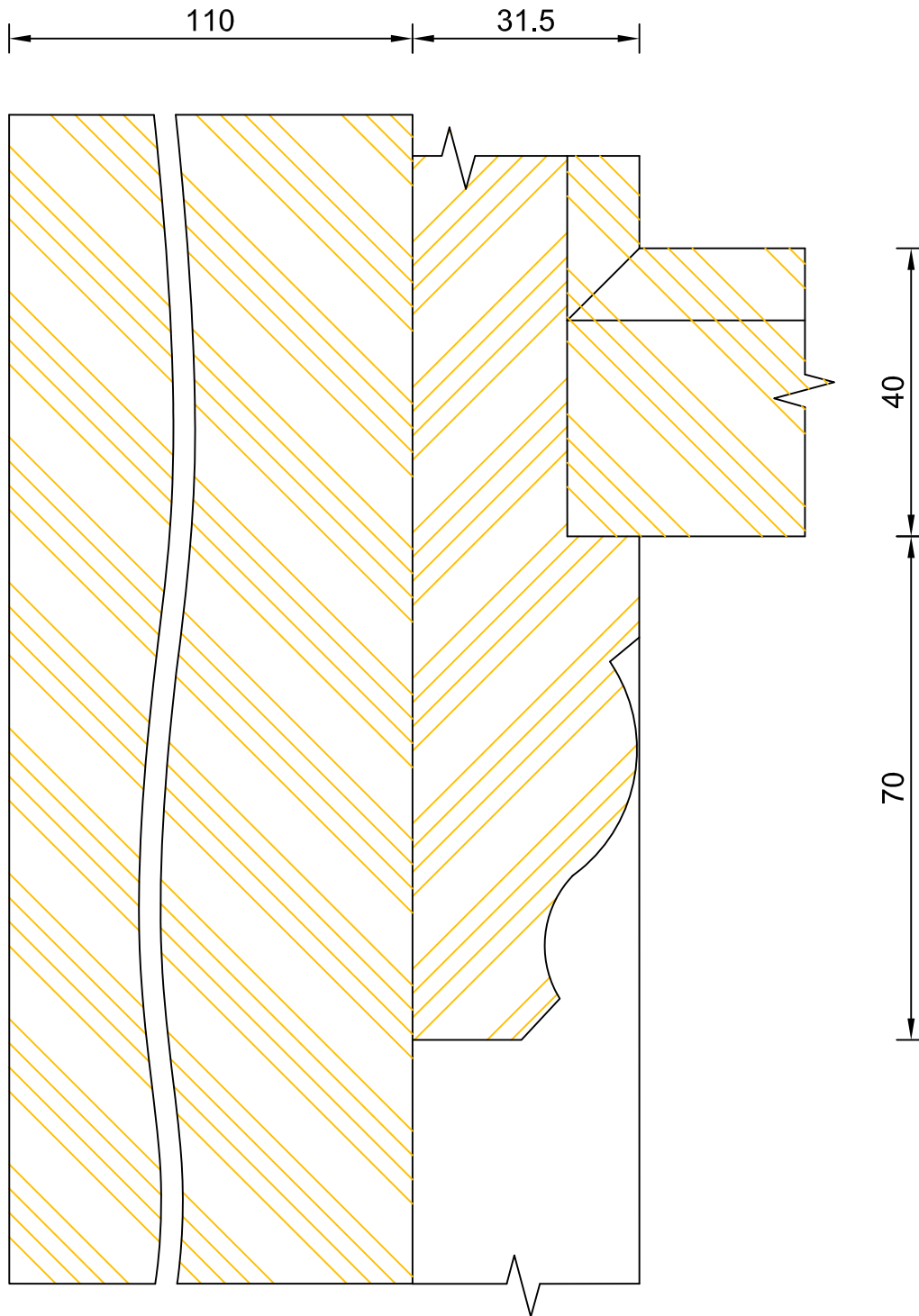
Horn Design: CAMBER
 Top Sash Horn Viewed From Outside



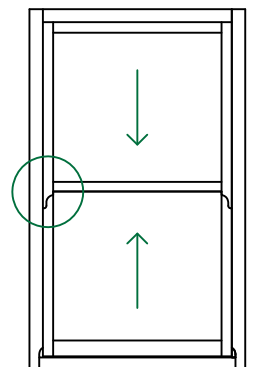
Heritage Single Glazed Sliding Sash Cords & Weights
 Horns to Top Sash Only - Type C (Design Option)

DIMENSIONS	PLOT SIZE	SCALE	DATE	REV	DWG NO.
MM	A4	1:1	10.04.2018	A	2808.2

Please consider the environment before printing



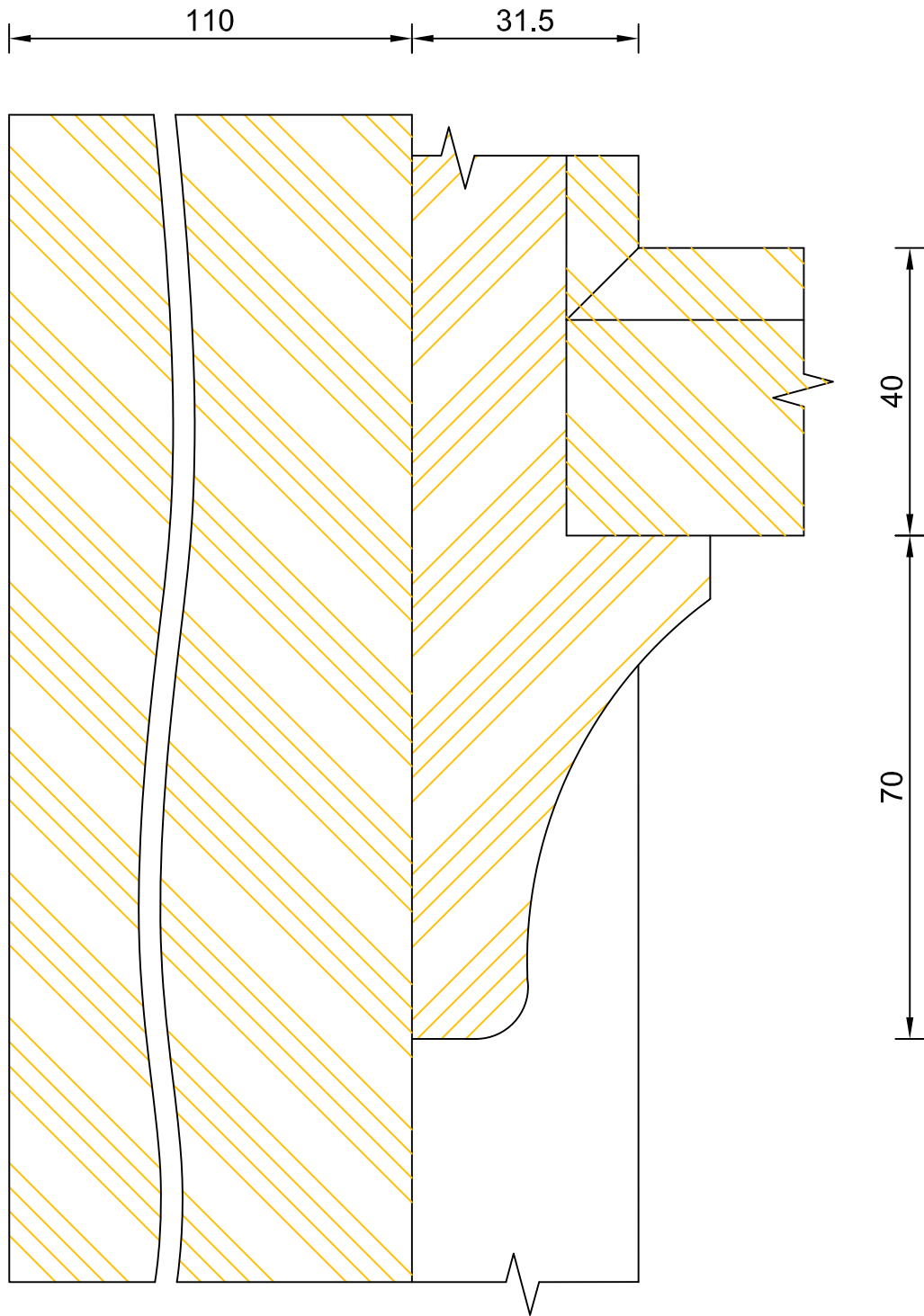
Horn Design: DALTON
 Top Sash Horn Viewed From Outside



Heritage Single Glazed Sliding Sash Cords & Weights
 Horns to Top Sash Only - Type D (Design Option)

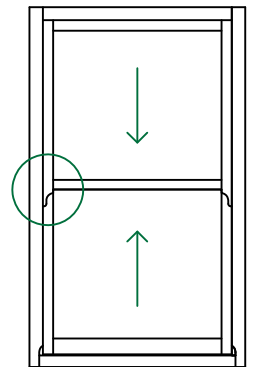
DIMENSIONS	PLOT SIZE	SCALE	DATE	REV	DWG NO.
MM	A4	1:1	10.04.2018	A	2808.3

Please consider the environment before printing



Horn Design: ELSDON

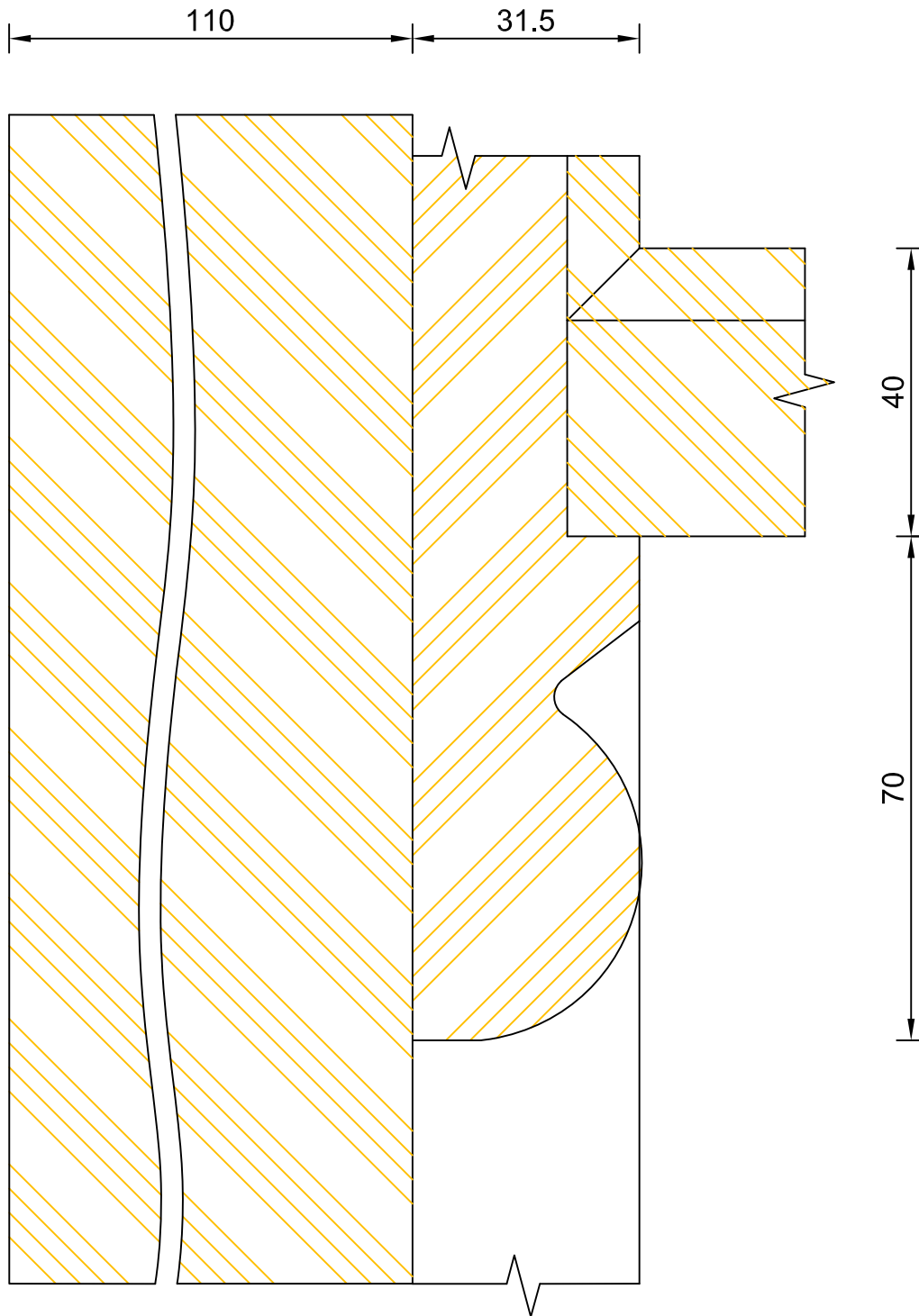
Top Sash Horn Viewed From Outside



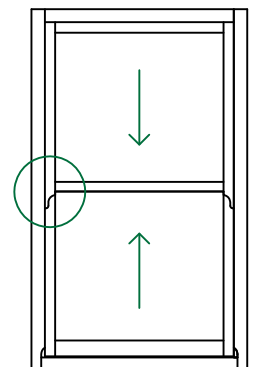
Heritage Single Glazed Sliding Sash Cords & Weights
 Horns to Top Sash Only - Type E (Design Option)

DIMENSIONS	PLOT SIZE	SCALE	DATE	REV	DWG NO.
MM	A4	1:1	10.04.2018	A	2808.4

Please consider the environment before printing



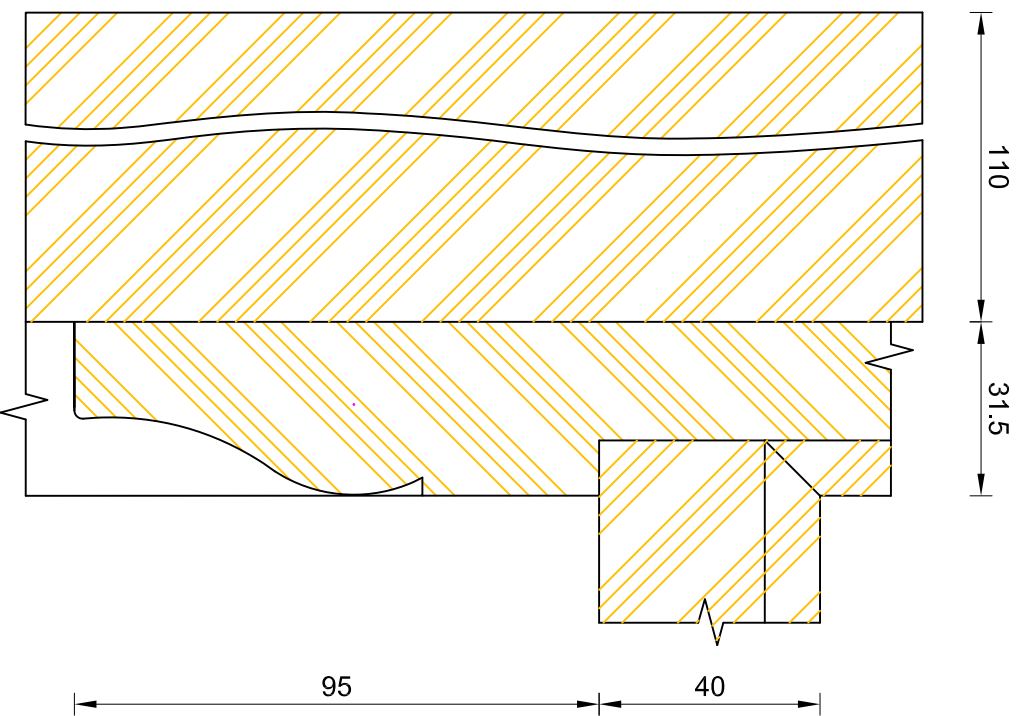
Horn Design: FARNHAM
 Top Sash Horn Viewed From Outside



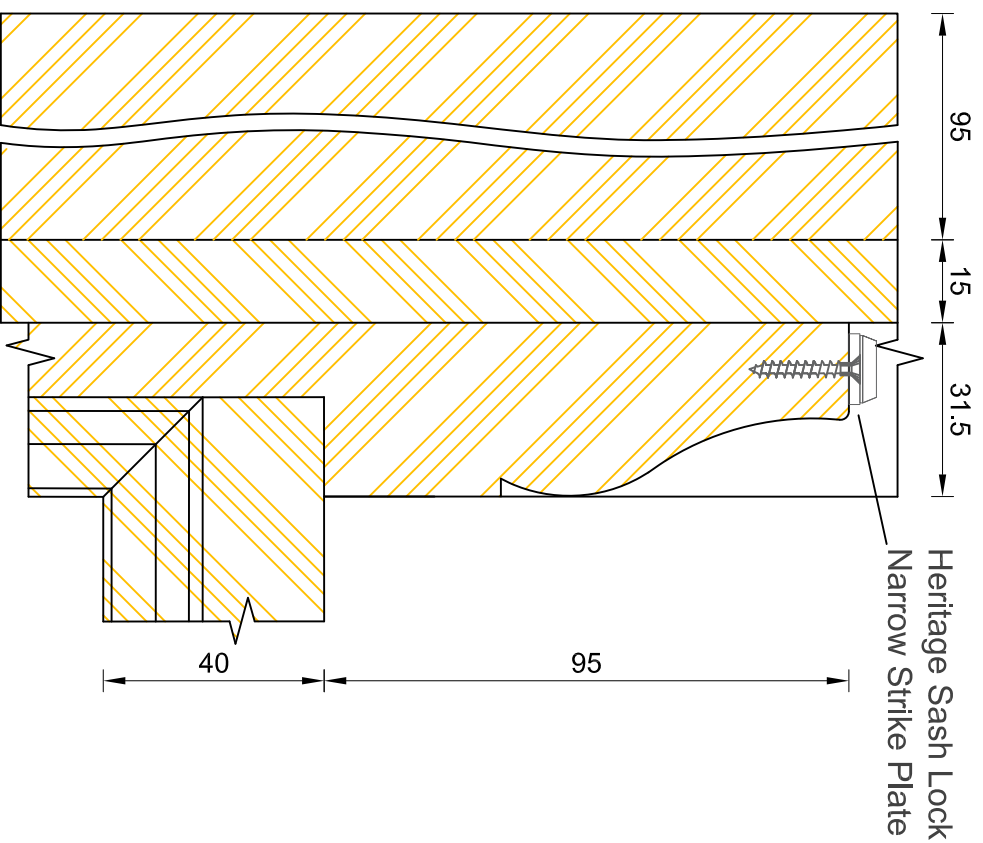
Heritage Single Glazed Sliding Sash Cords & Weights
 Horns to Top Sash Only - Type F (Design Option)

DIMENSIONS	PLOT SIZE	SCALE	DATE	REV	DWG NO.
MM	A4	1:1	10.04.2018	A	2808.5

Please consider the environment before printing



Horn Design: AYDON
 Top Sash Horn Viewed From Outside



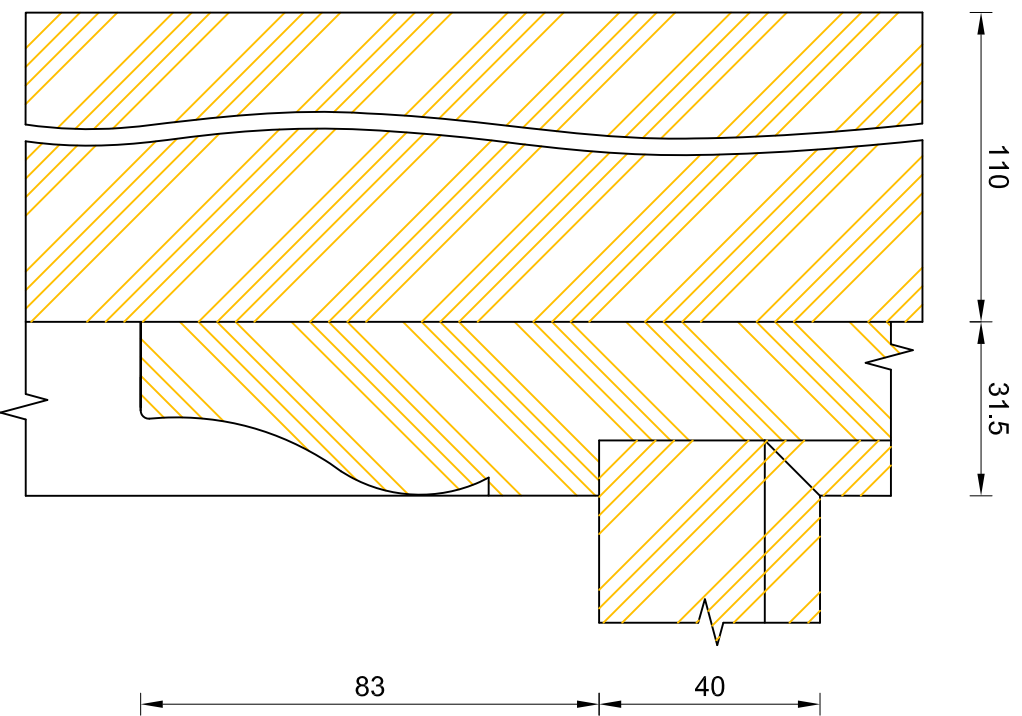
Horn Design: AYDON
 Bottom Sash Horn Viewed From Inside

Heritage Single Glazed Sliding Sash Cords & Weights
 Horns to Top & Bottom Sashes - Type A (Design Option)

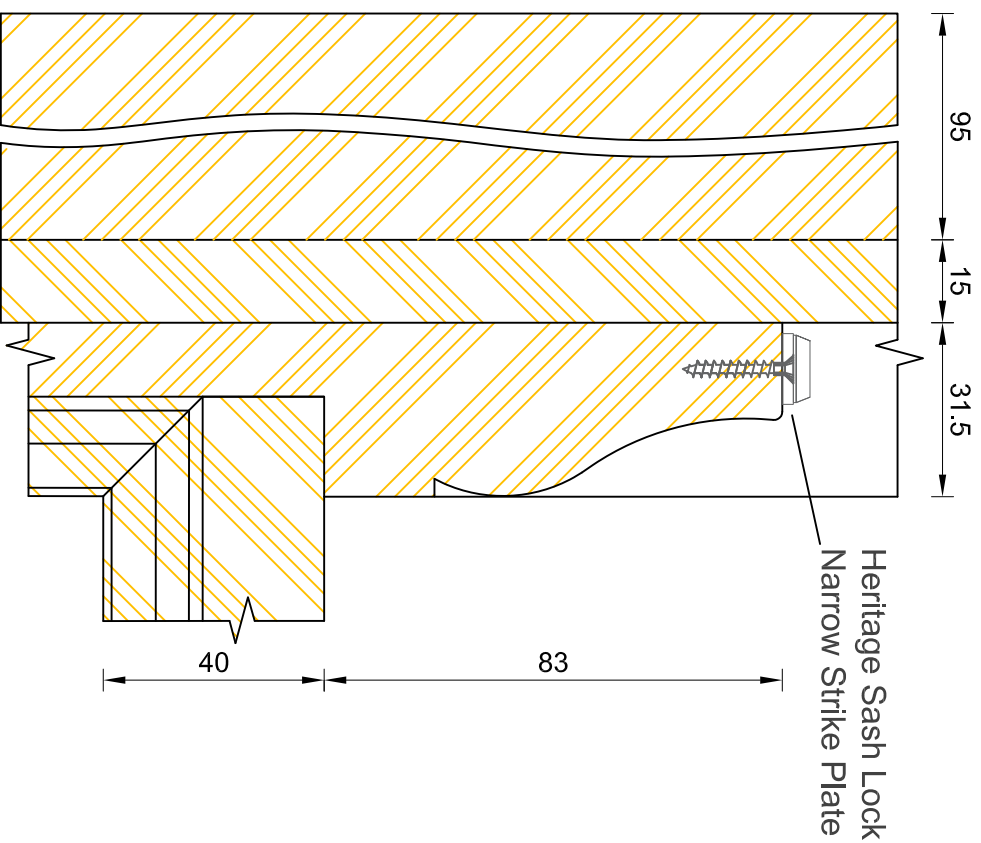
DIMENSIONS	PLOT SIZE	SCALE	DATE	REV	DWG. NO.
MM	A3	1:1	10.04.2018	A	2808.6

Please consider the environment before printing





Horn Design: BELSAY
Top Sash Horn Viewed From Outside

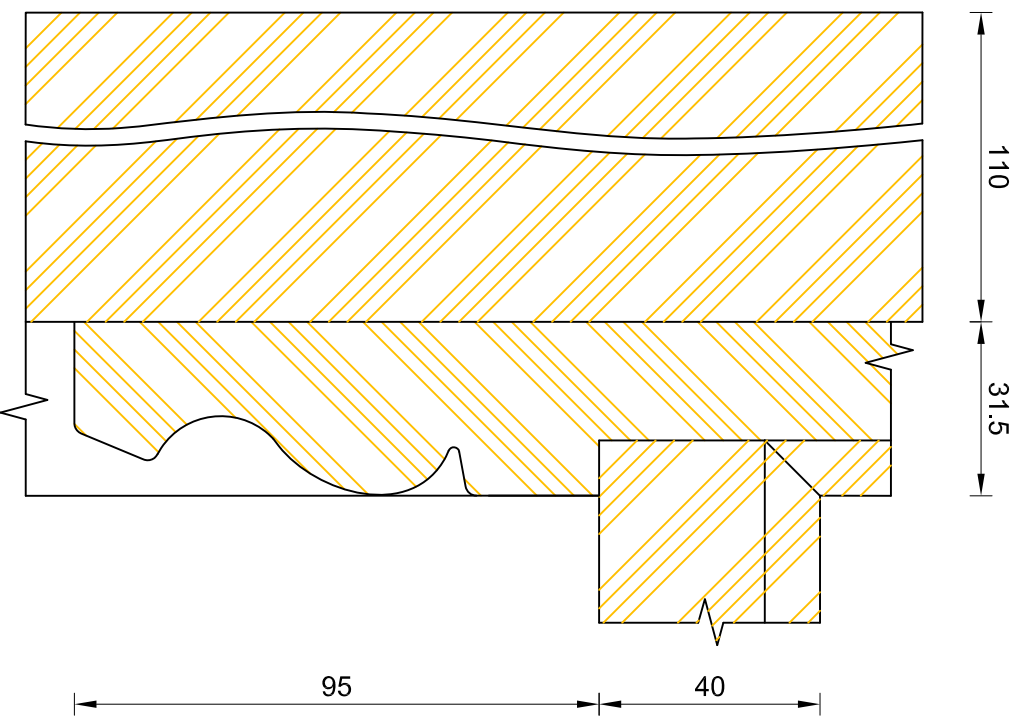


Horn Design: BELSAY
Bottom Sash Horn Viewed From Inside

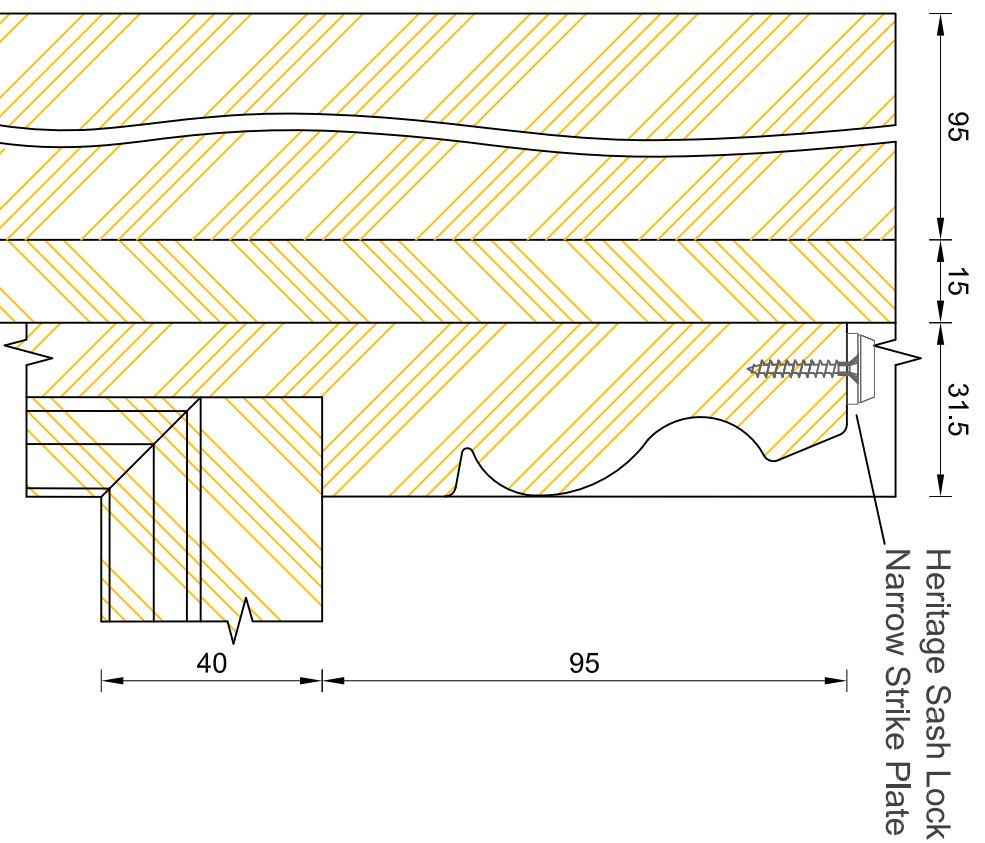
Heritage Single Glazed Sliding Sash Cords & Weights
Horn to Top & Bottom Sashes - Type B (Std Design)

DIMENSIONS	PLOT SIZE	SCALE	DATE	REV	DWG. NO.
MM	A3	1:1	10.04.2018	A	2808.7

Please consider the environment before printing



Horn Design: CAMBER
 Top Sash Horn Viewed From Outside



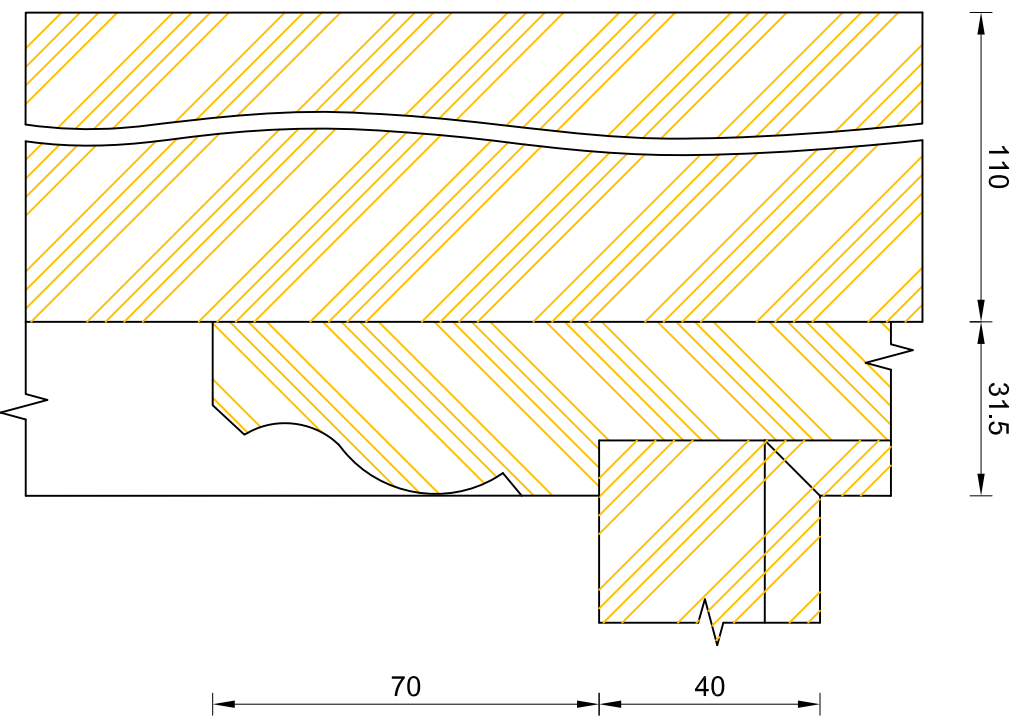
Horn Design: CAMBER
 Bottom Sash Horn Viewed From Inside

Heritage Single Glazed Sliding Sash Cords & Weights
 Horns to Top & Bottom Sashes - Type C (Design Option)

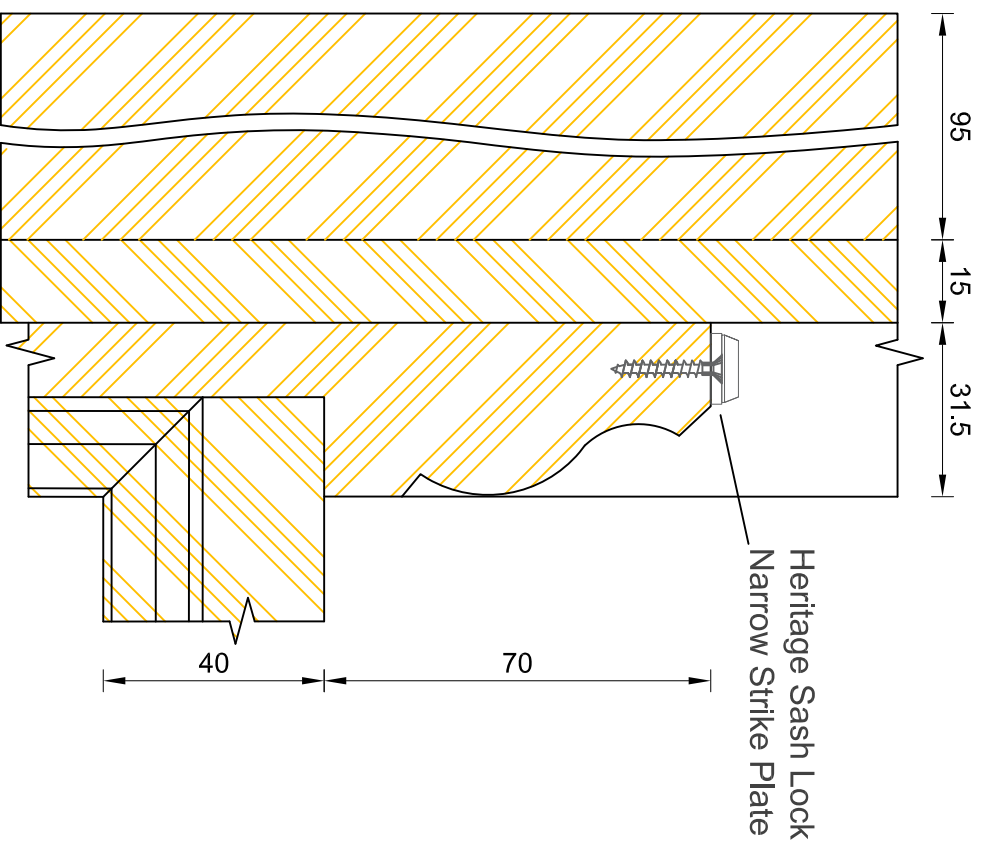
DIMENSIONS	PLOT SIZE	SCALE	DATE	REV	DWG. NO.
MM	A3	1:1	10.04.2018	A	2808.8

Please consider the environment before printing





Horn Design: DALTON
Top Sash Horn Viewed From Outside



Horn Design: DALTON
Bottom Sash Horn Viewed From Inside

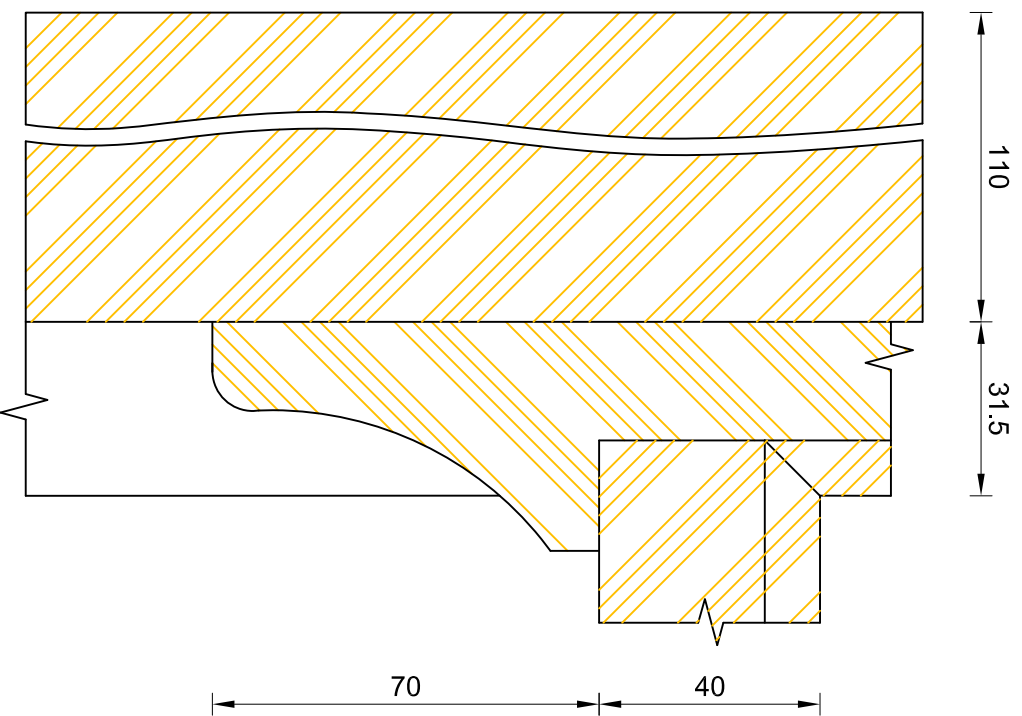


Bereco

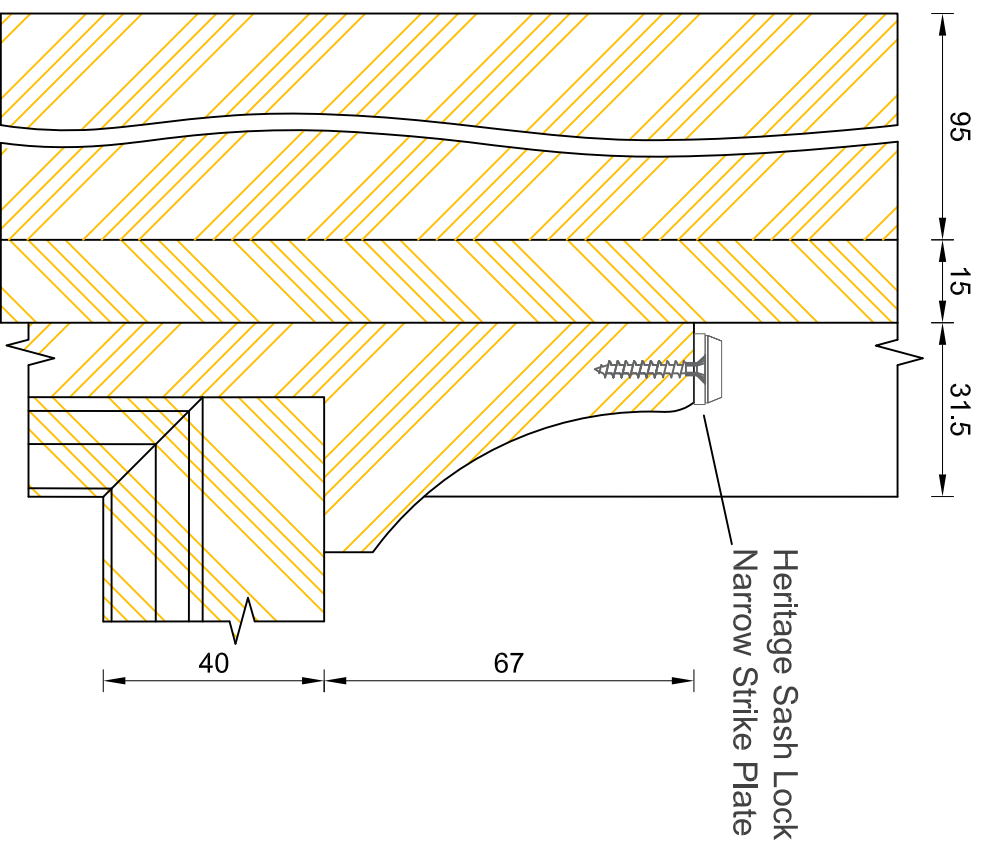
Heritage Single Glazed Sliding Sash Cords & Weights
Horns to Top & Bottom Sashes - Type D (Design Option)

DIMENSIONS	PLOT SIZE	SCALE	DATE	REV	DWG. NO.
MM	A3	1:1	10.04.2018	A	2808.9

Please consider the environment before printing



Horn Design: ELSDON
 Top Sash Horn Viewed From Outside



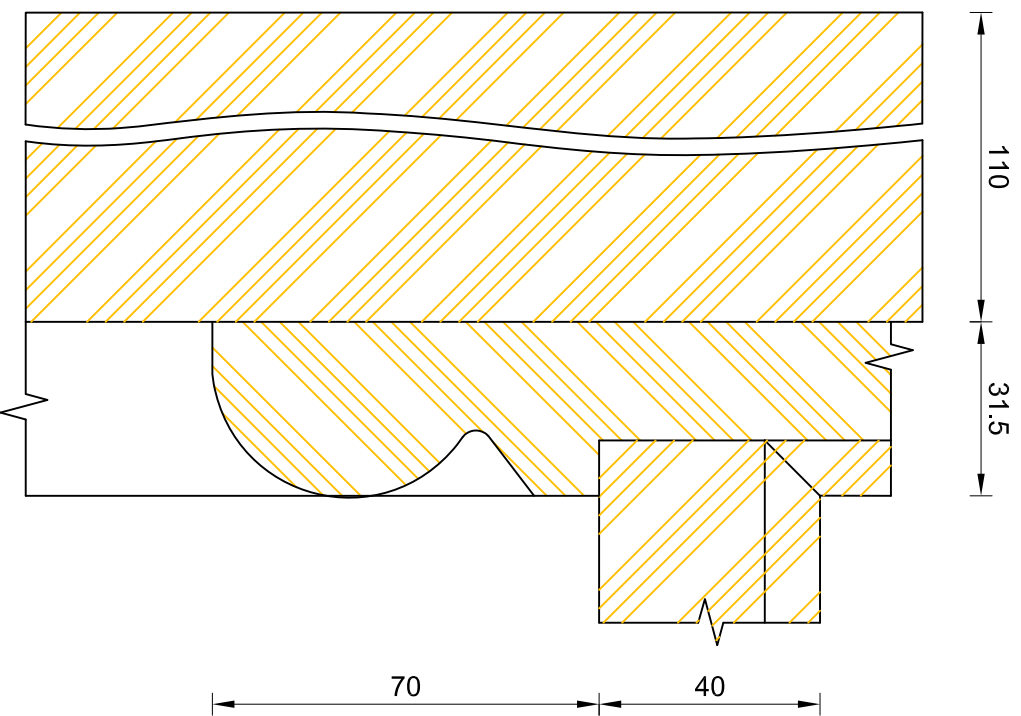
Horn Design: ELSDON
 Bottom Sash Horn Viewed From Inside

Heritage Single Glazed Sliding Sash Cords & Weights
 Horns to Top & Bottom Sashes - Type E (Design Option)

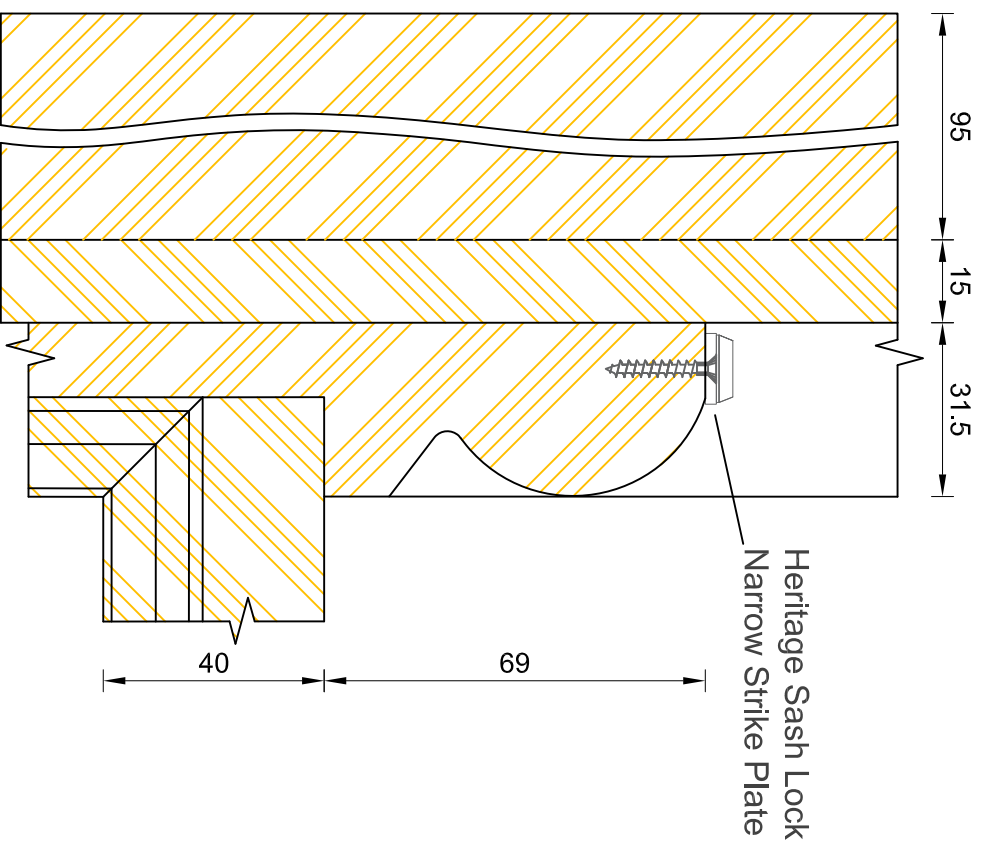
DIMENSIONS	PLOT SIZE	SCALE	DATE	REV	DWG. NO.
MM	A3	1:1	10.04.2018	A	2808.10

Please consider the environment before printing





Horn Design: FARNHAM
 Top Sash Horn Viewed From Outside



Horn Design: FARNHAM
 Bottom Sash Horn Viewed From Inside

Heritage Single Glazed Sliding Sash Cords & Weights
 Horns to Top & Bottom Sashes - Type F (Design Option)

DIMENSIONS	PLOT SIZE	SCALE	DATE	REV	DWG. NO.
MM	A3	1:1	10.04.2018	A	2808.11

Please consider the environment before printing



Bereco

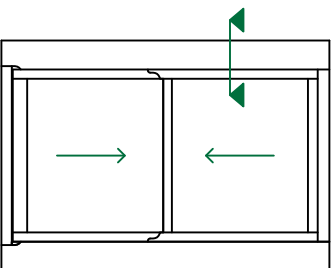
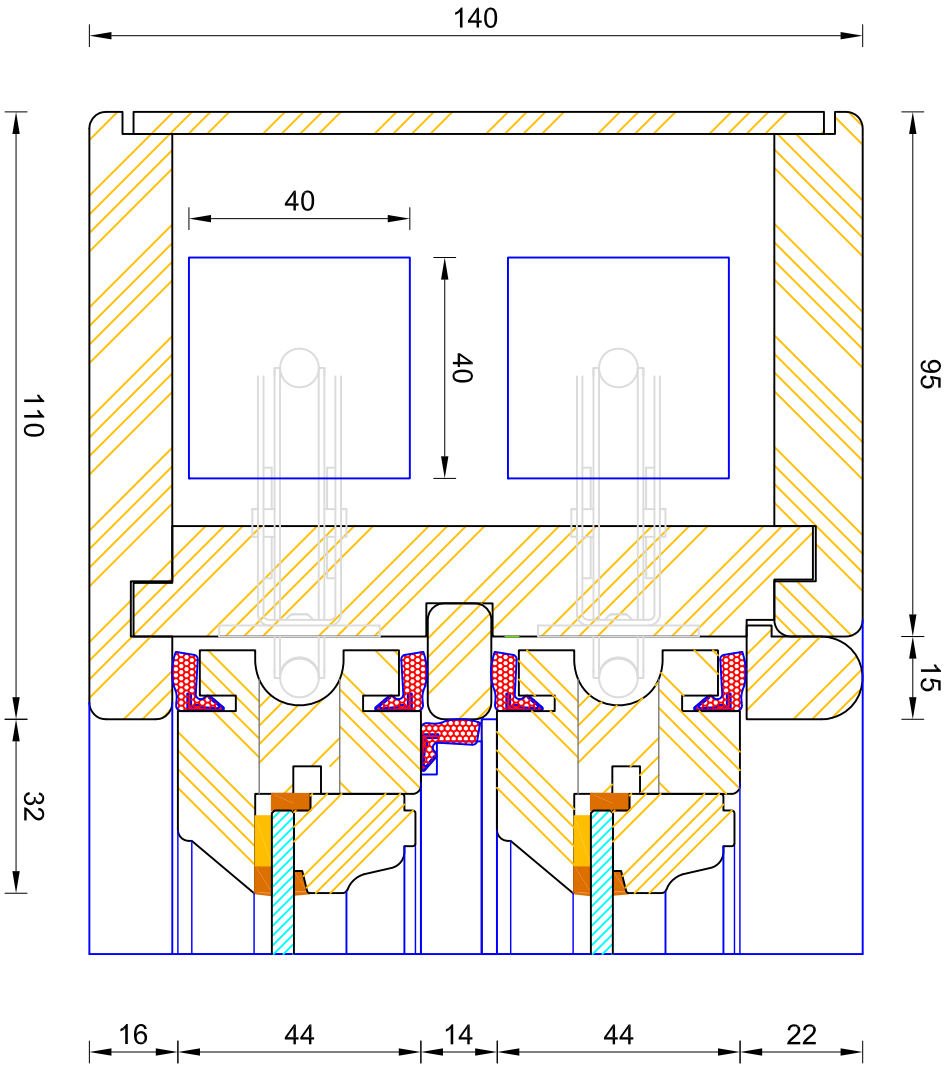


Bereco

Heritage Single Glazed Sliding Sash Cords & Weights Frame & Sash Jamb (Standard)

DIMENSIONS	PLOT SIZE	SCALE	DATE	REV	DWG. NO.
MM	A3	1:1	01.01.2019	B	2806

 Please consider the environment before printing



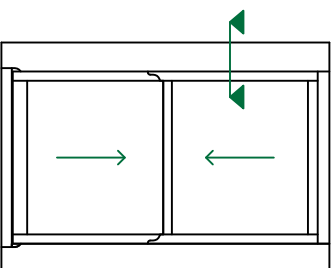
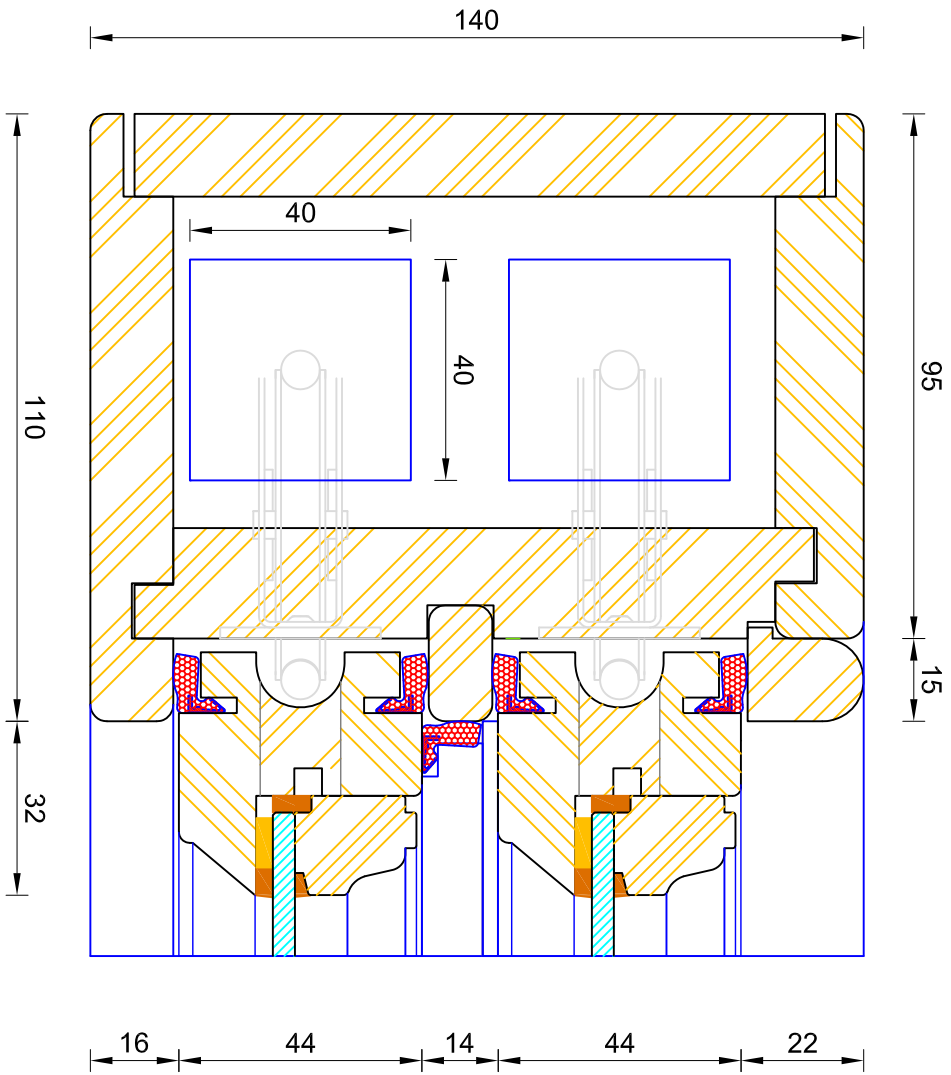


Bereco

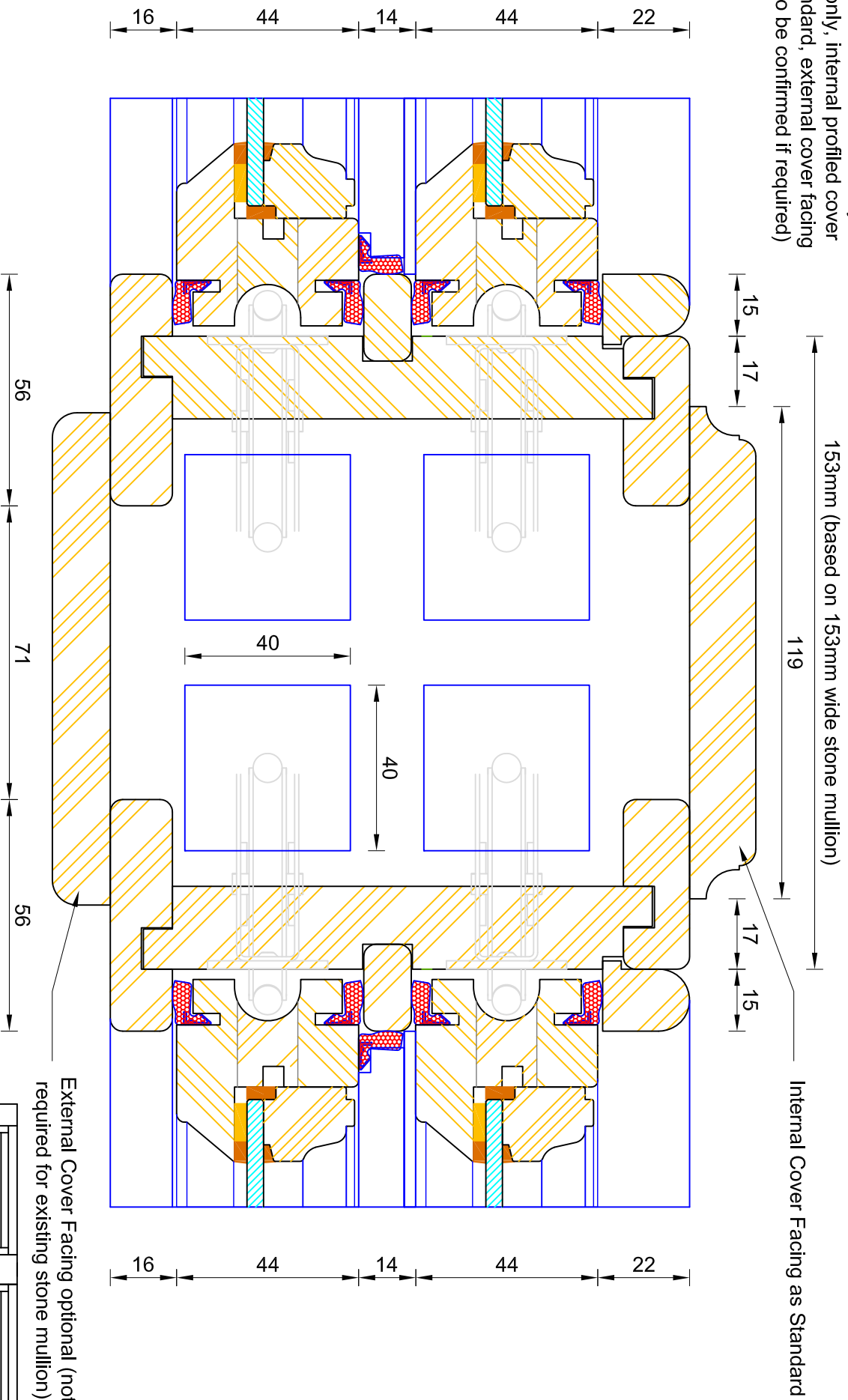
Heritage Single Glazed Sliding Sash Cords & Weights Frame & Sash Jamb (Optional)

DIMENSIONS	PLOT SIZE	SCALE	DATE	REV	DWG. NO.
MM	A3	1:1	01.01.2019	B	2807

 Please consider the environment before printing



Standard Box Section for Factory -
coupling only, internal profiled cover
facing standard, external cover facing
optional (to be confirmed if required)



Heritage Single Glazed Sliding Sash Cords & Weights Frame & Sash Box Mullion (Factory Coupled)

DIMENSIONS	PLOT SIZE	SCALE	DATE	REV	DWG. NO.
MM	A3	1:1	01.01.2019	B	2808

Please consider the environment before printing

