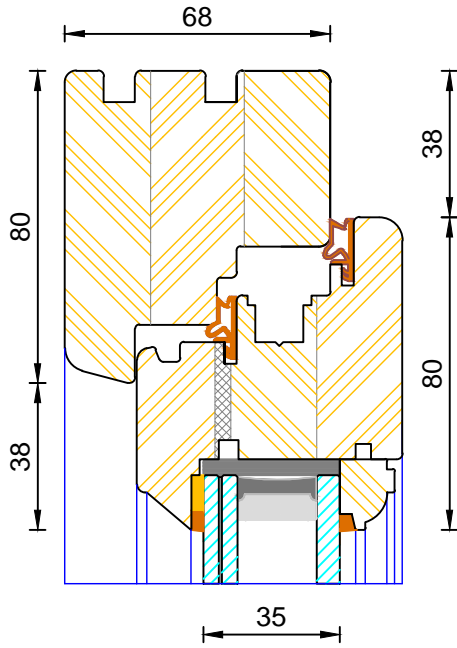
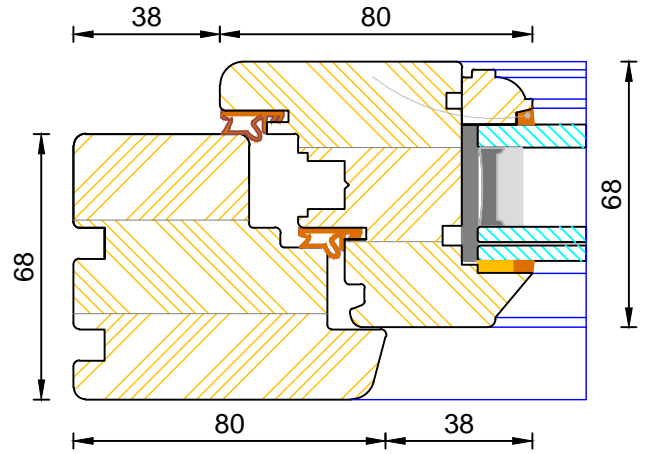


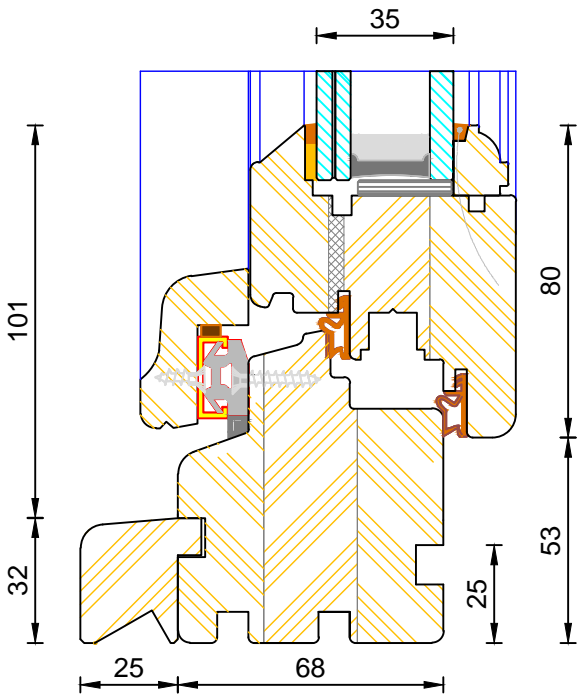
Section A-A



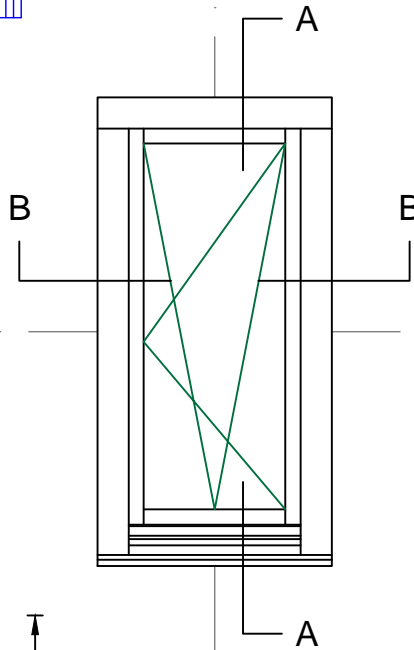
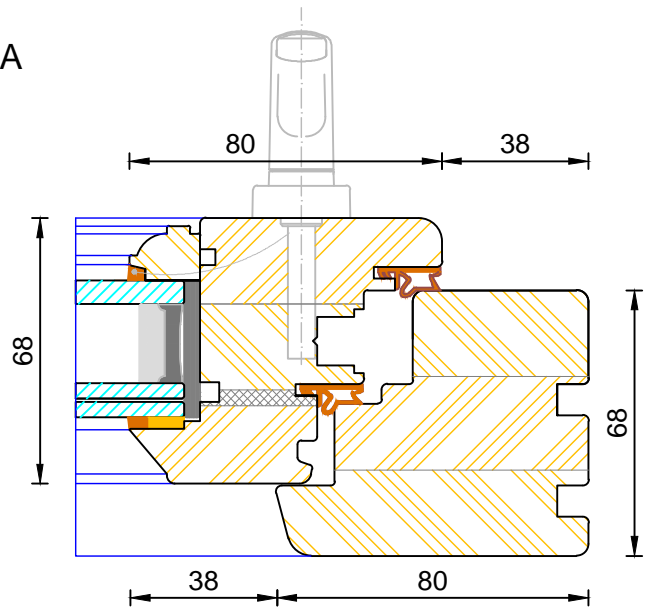
Section B-B



Section A-A



Section B-B



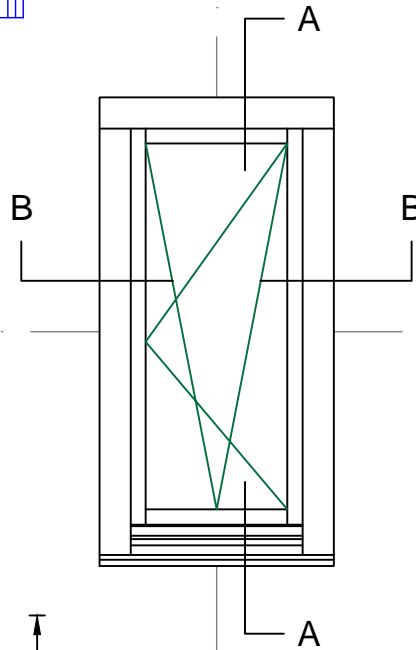
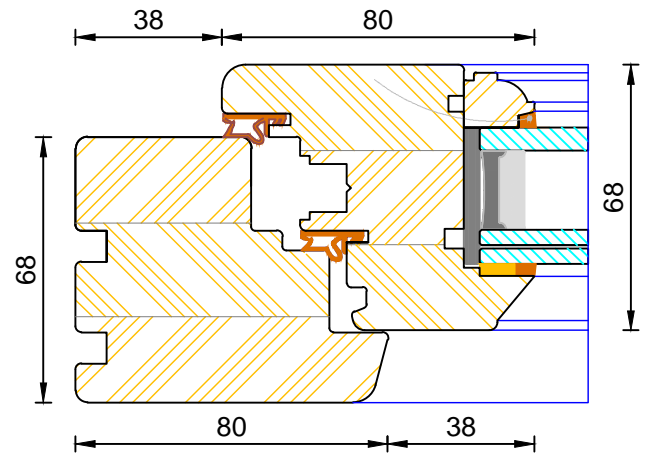
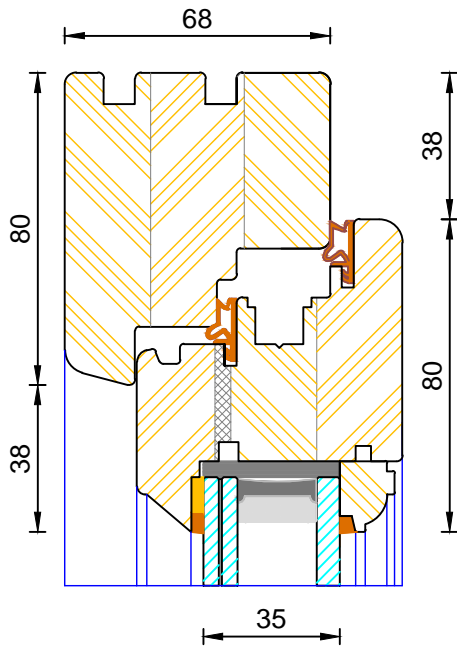
Typical sections showing acoustic glass - 8.8/20ar/4T (39 dB)
 For full sectional details please refer to our standard double glazed sections



Traditional Tilt & Turn Window
 Frame & Sash Sections - Acoustic Rating **38dB**

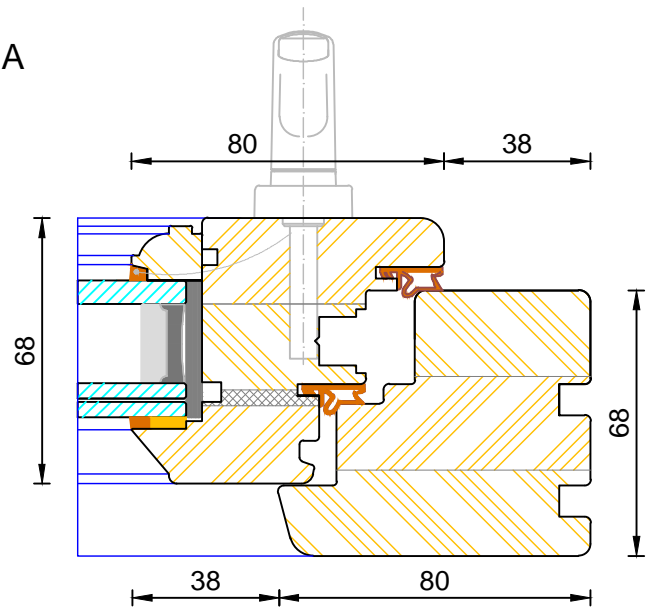
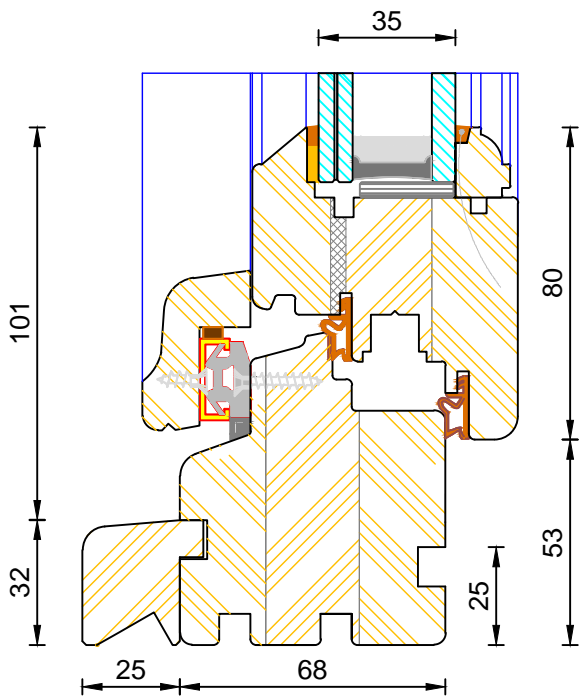
DIMENSIONS	PLOT SIZE	SCALE	DATE	REV	DWG NO.
MM	A2	1:1	07.11.2016	A	4082

Please consider the environment before printing



Section A-A

Section B-B



Typical sections showing acoustic glass - 8.8Aku/20ar/6T (42 dB)
 For full sectional details please refer to our standard double glazed sections

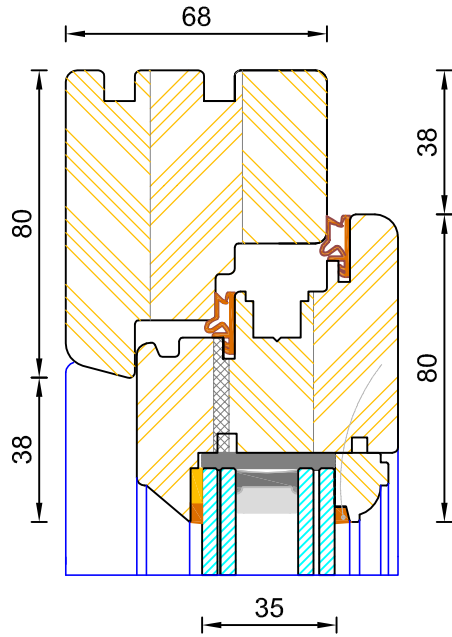


Traditional Tilt & Turn Window
 Frame & Sash Sections - Acoustic Rating **41dB**

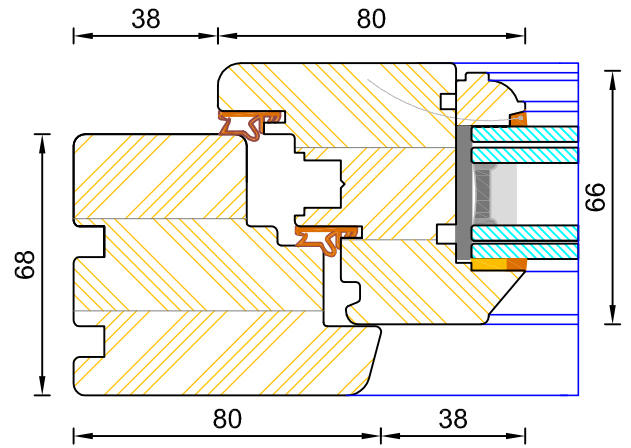
DIMENSIONS	PLOT SIZE	SCALE	DATE	REV	DWG NO.
MM	A2	1:1	07.11.2016	A	4083

Please consider the environment before printing

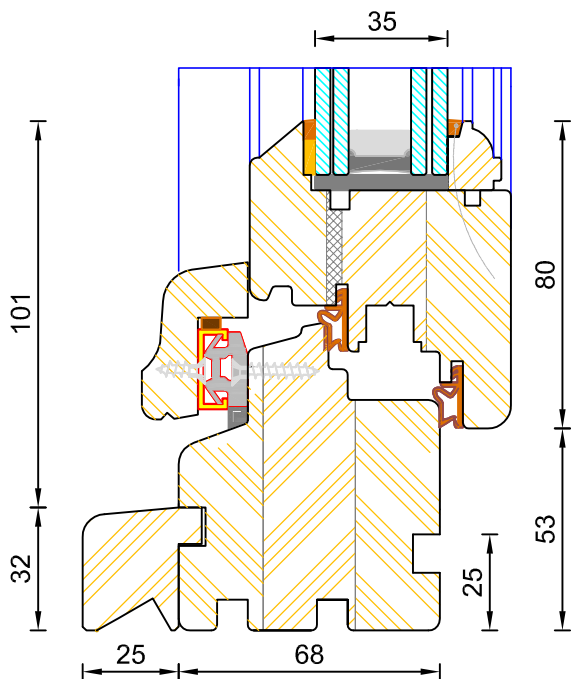
Section A-A



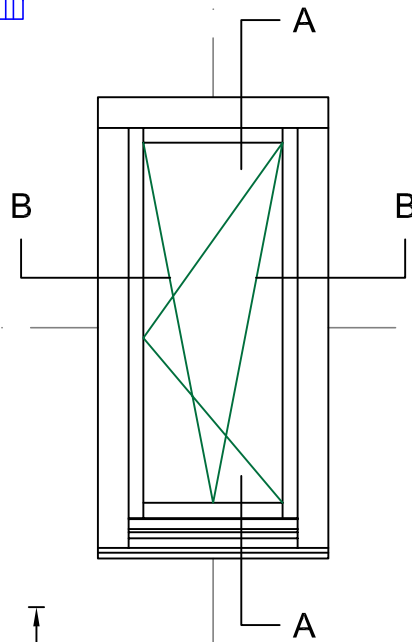
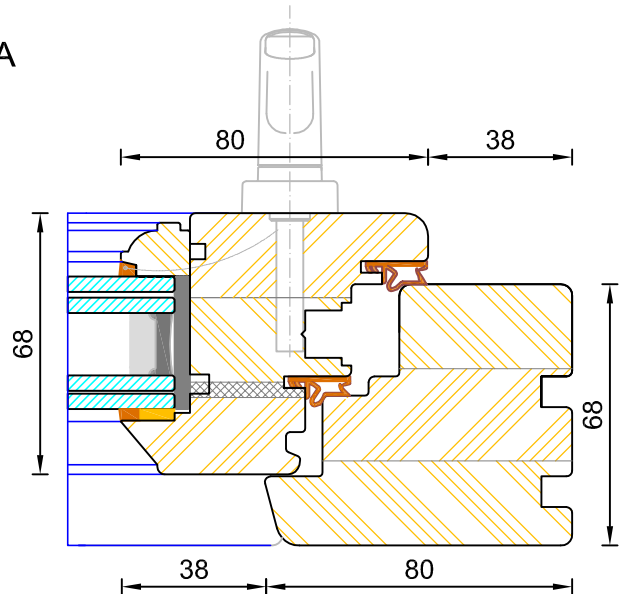
Section B-B



Section A-A



Section B-B



Typical sections showing acoustic glass - 9.5/16Ar/8.8T(Aku) CG A 1.0 **(45dB)**
 For full sectional details please refer to our standard double glazed sections



Traditional Tilt & Turn Window
Frame & Sash Sections - Acoustic Rating 42dB

DIMENSIONS	PLOT SIZE	SCALE	DATE	REV	DWG NO.
MM	A2	1:1	29.08.2019	B	4084
Please consider the environment before printing					