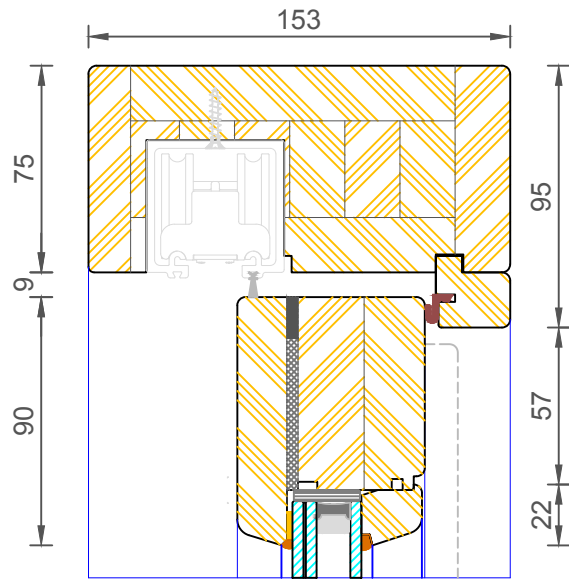
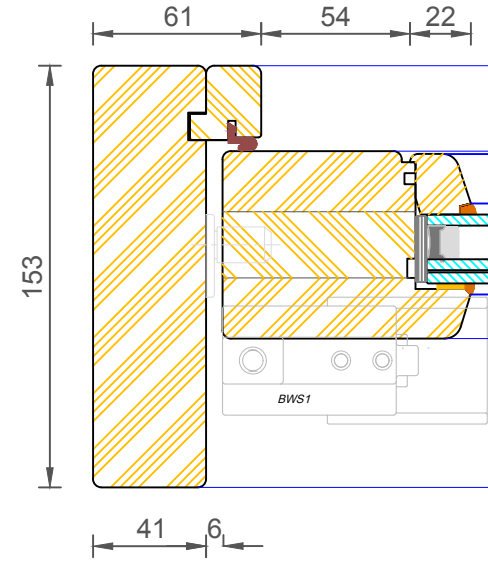


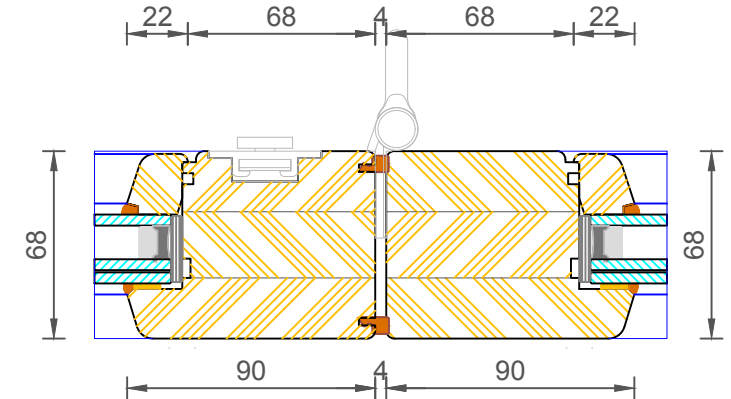
Section E-E



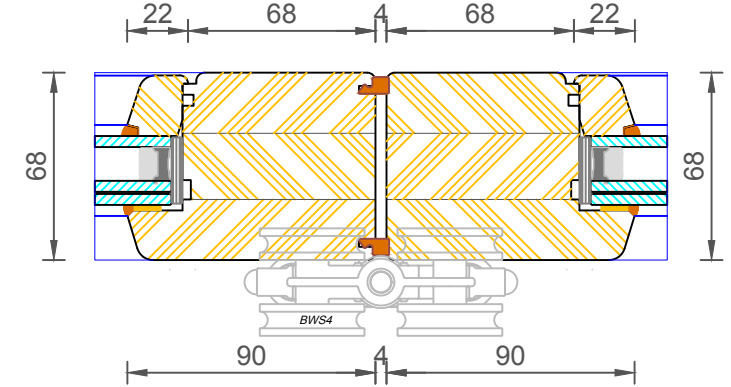
Section A-A



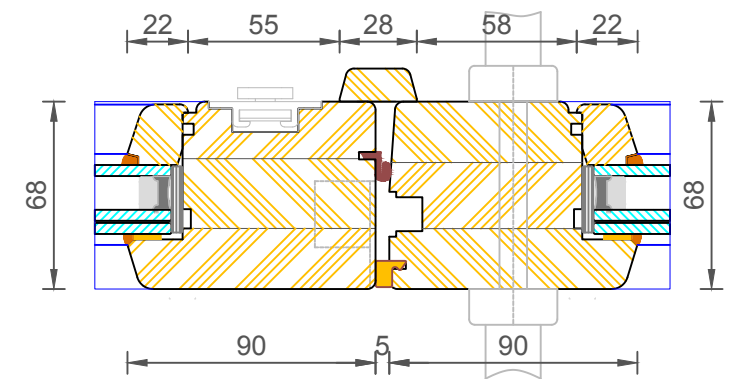
Section B-B



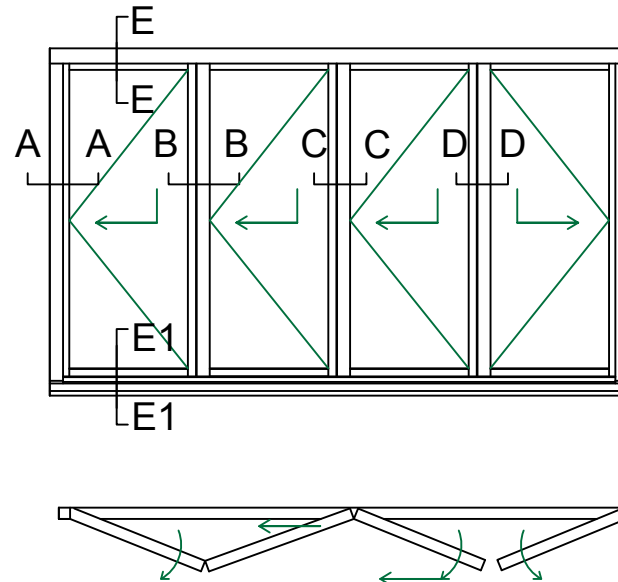
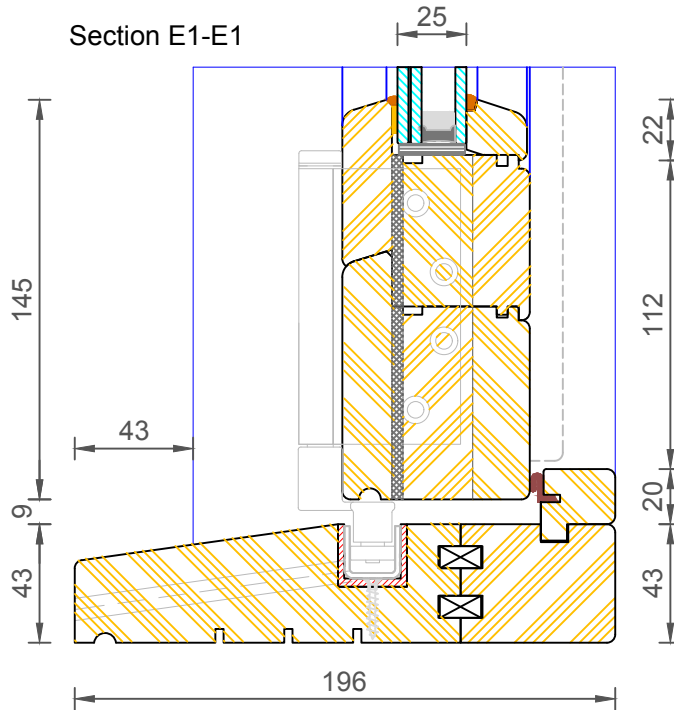
Section C-C



Section D-D



Section E1-E1



**Contemporary Open Out Folding Sliding Door
Frame & Leaf Sections - Acoustic Rating 38dB**

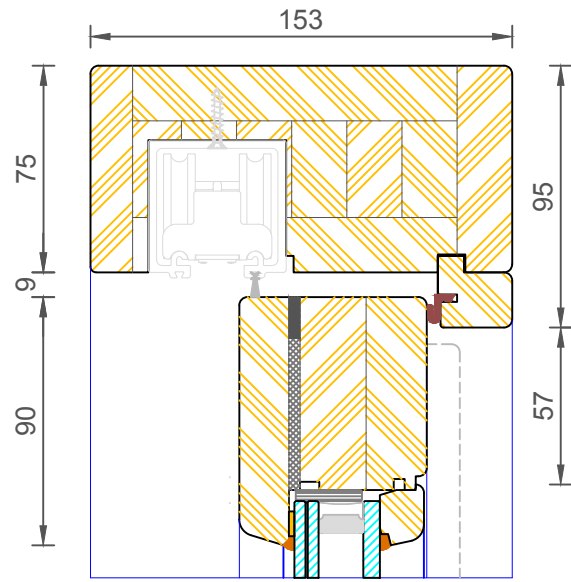
DIMENSIONS	PLOT SIZE	SCALE	DATE	REV	DWG NO.
MM	A1	1:1	21.10.2016	A	4240

Please consider the environment before printing

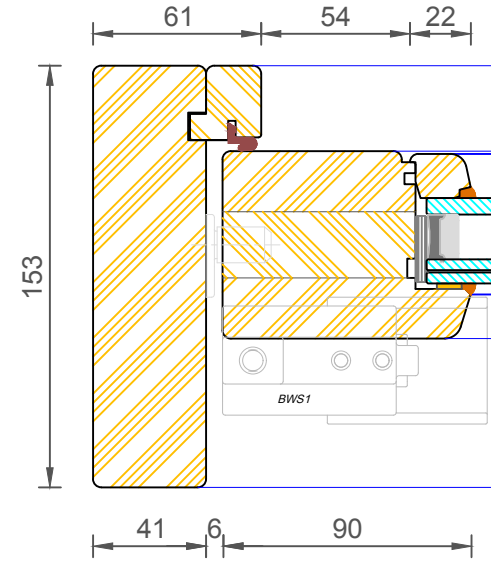
Typical sections showing acoustic glass -
8.8Aku/12ar/4ESGT (**39 dB**)
For full sectional details please refer to our standard
double glazed sections



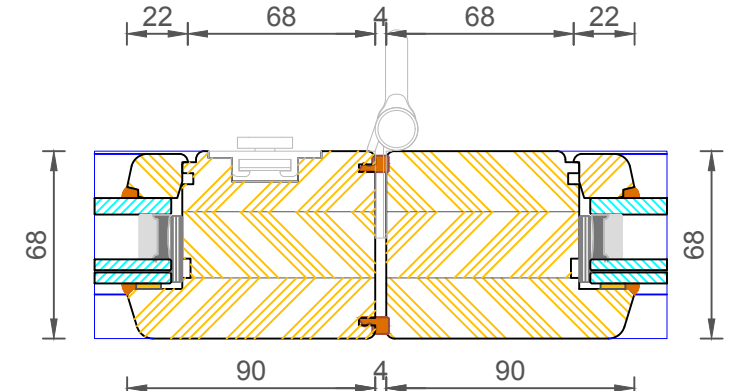
Section E-E



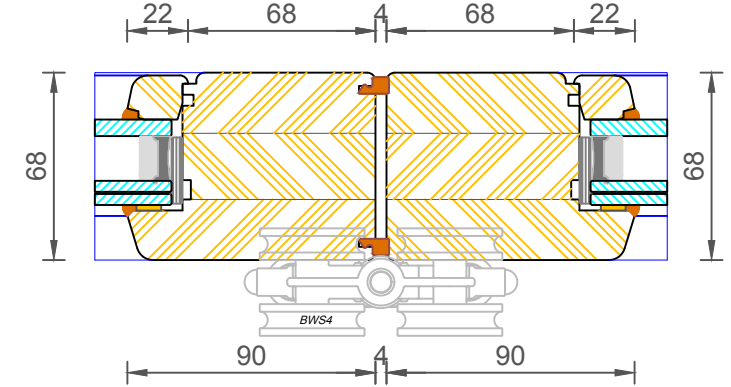
Section A-A



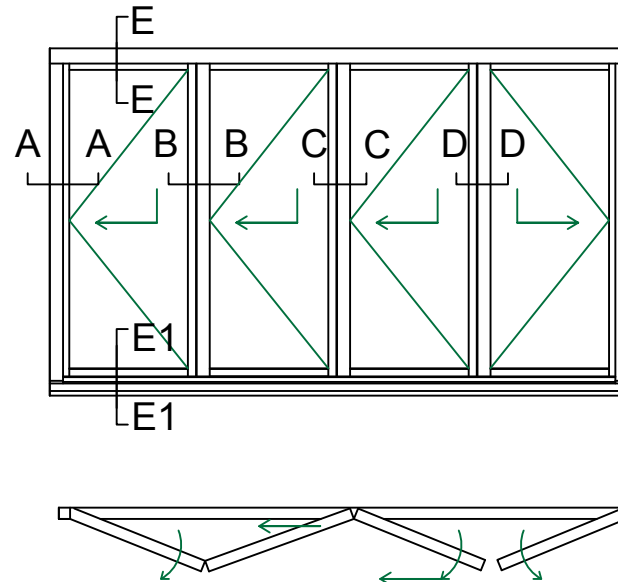
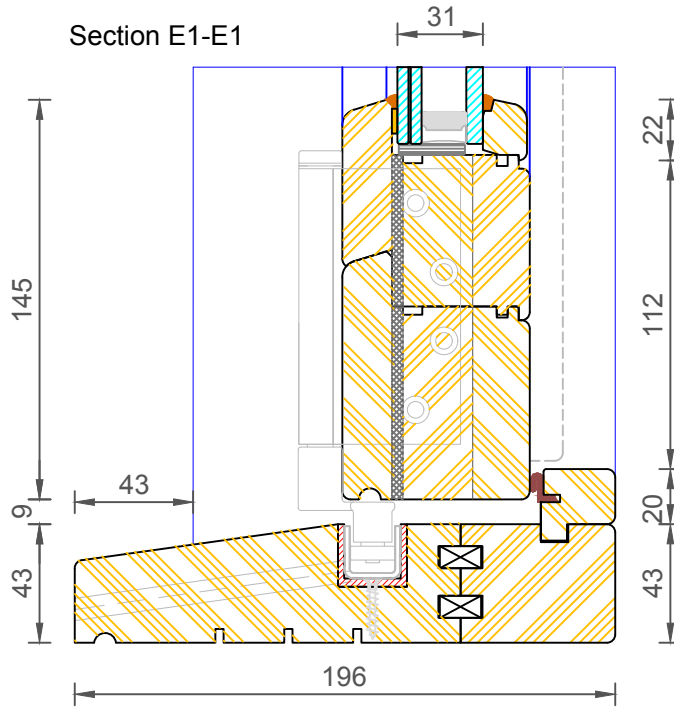
Section B-B



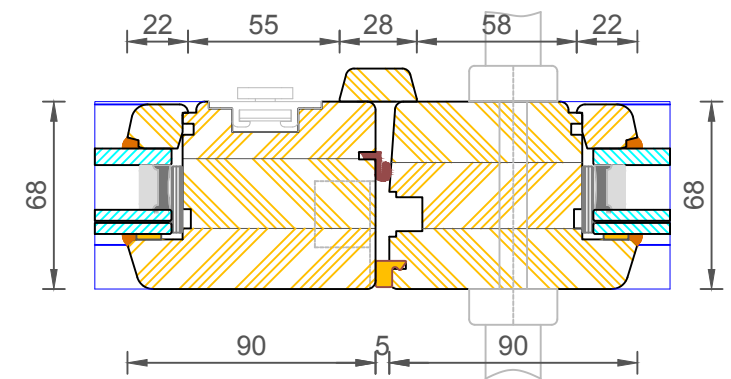
Section C-C



Section E1-E1



Section D-D



**Contemporary Open Out Folding Sliding Door
Frame & Leaf Sections - Acoustic Rating 41dB**

DIMENSIONS	PLOT SIZE	SCALE	DATE	REV	DWG NO.
MM	A1	1:1	21.10.2016	A	4241

Please consider the environment before printing

Typical sections showing acoustic glass - 8.8Aku/16ar/6ESGT (42 dB)
For full sectional details please refer to our standard double glazed sections