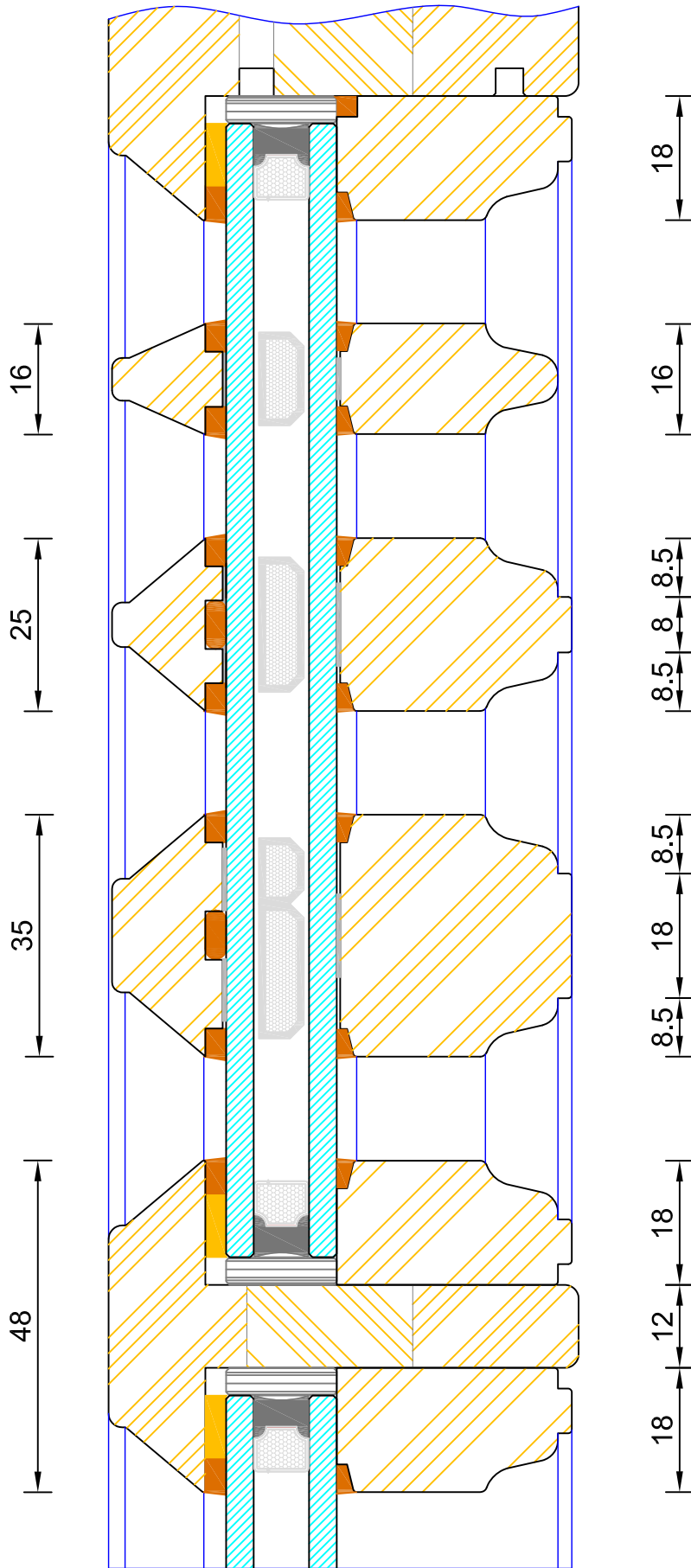


**Heritage Slim-Line Open Out Flush French Door  
Cill Extension Options**

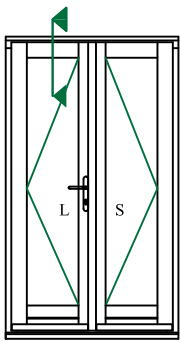
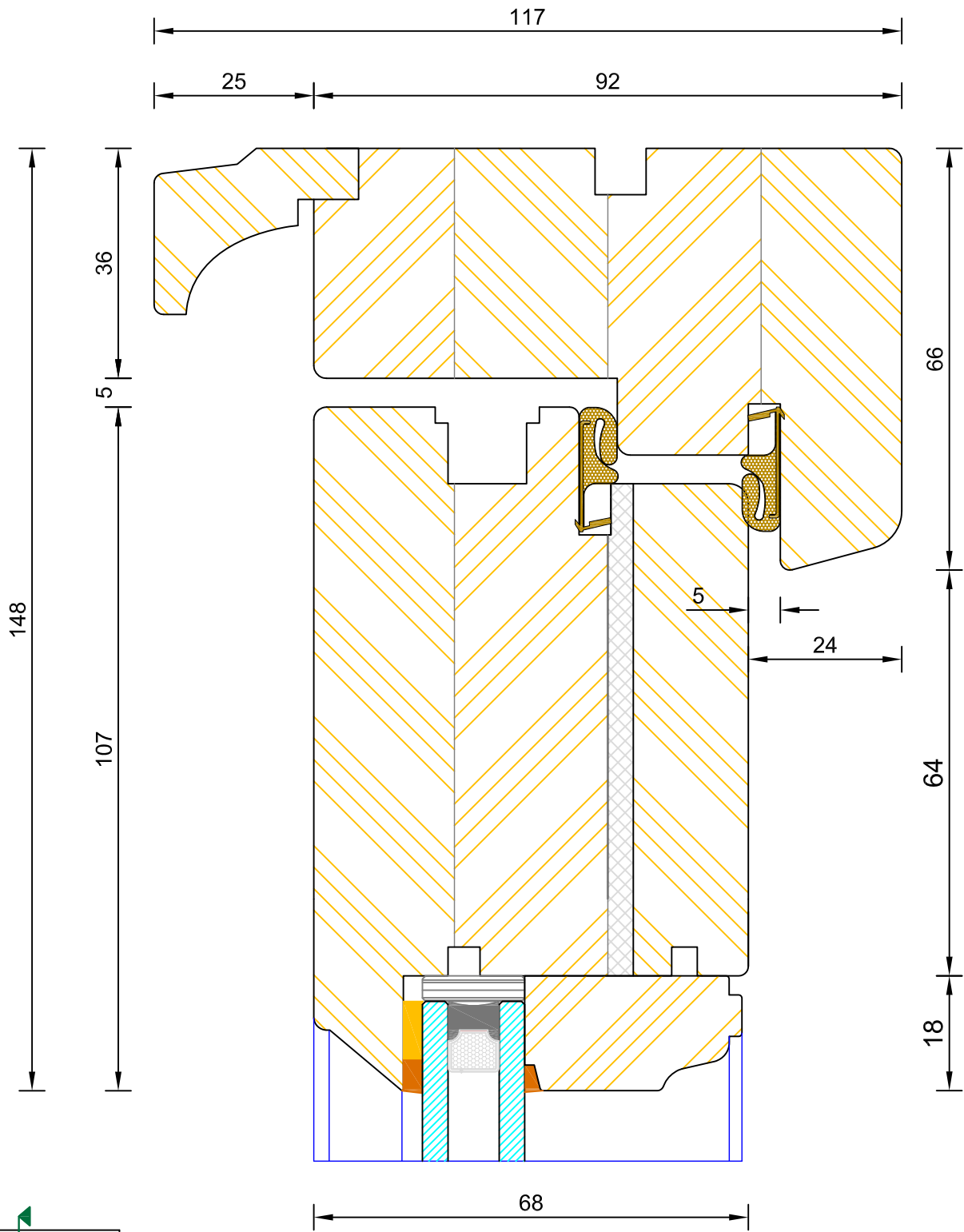
DIMENSIONS	PLOT SIZE	SCALE	DATE	REV	DWG NO.
MM	A4	1:1	25.09.2019	B	<b>4701</b>

Please consider the environment before printing



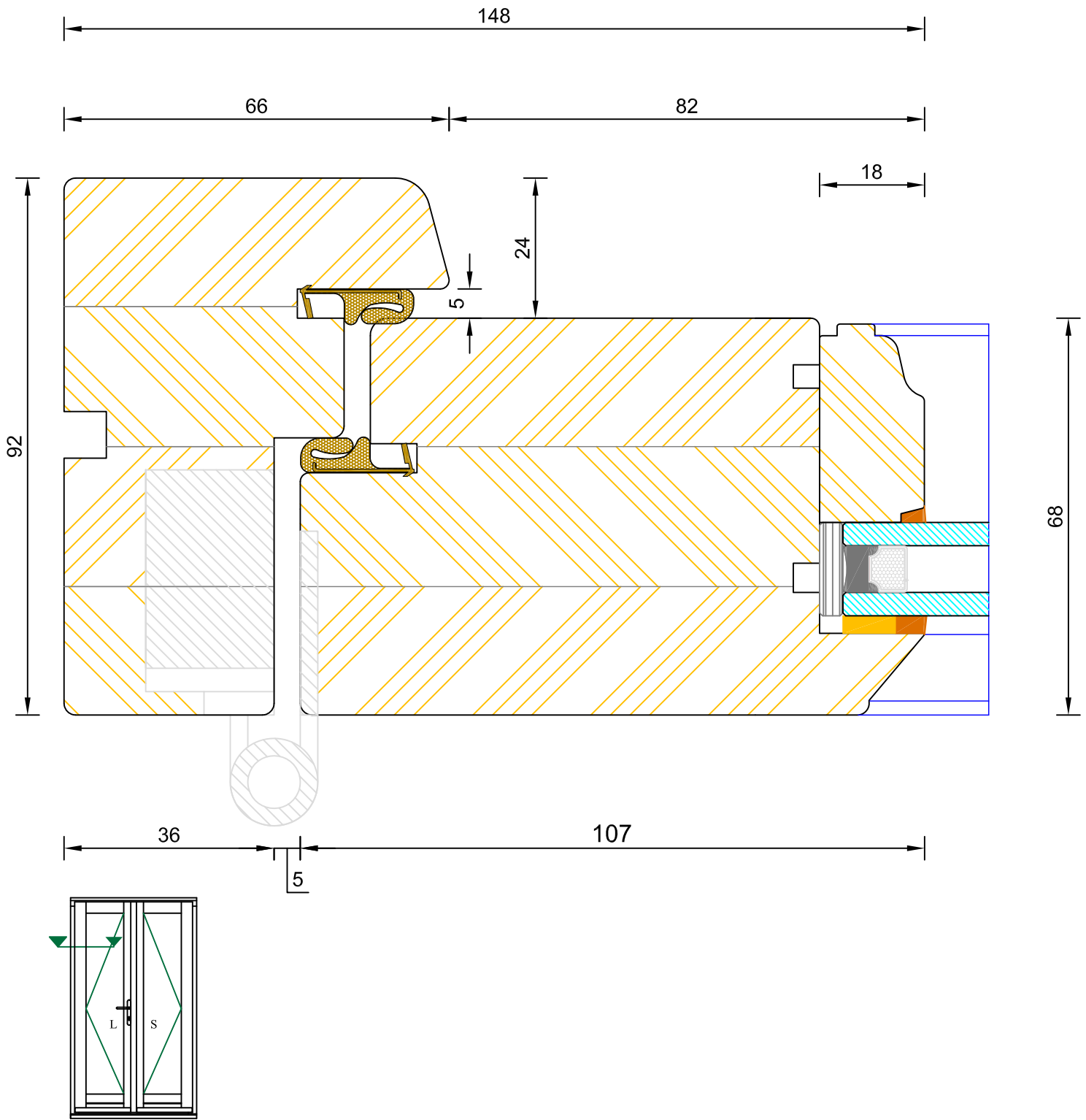
### Heritage Slim-Line Open Out Flush French Door Bar Options

DIMENSIONS	PLOT SIZE	SCALE	DATE	REV	DWG NO.
MM	A4	1:1	01.01.2019	B	<b>4702</b>
Please consider the environment before printing					



**Heritage Slim-Line Open Out Flush French Door  
Frame & Leaf Head**

DIMENSIONS	PLOT SIZE	SCALE	DATE	REV	DWG NO.
MM	A4	1:1	01.01.2019	B	<b>4703</b>
Please consider the environment before printing					



### Heritage Slim-Line Open Out Flush French Door Frame & Leaf Jamb

DIMENSIONS	PLOT SIZE	SCALE	DATE	REV	DWG NO.
MM	A4	1:1	01.01.2019	B	<b>4704</b>
Please consider the environment before printing					



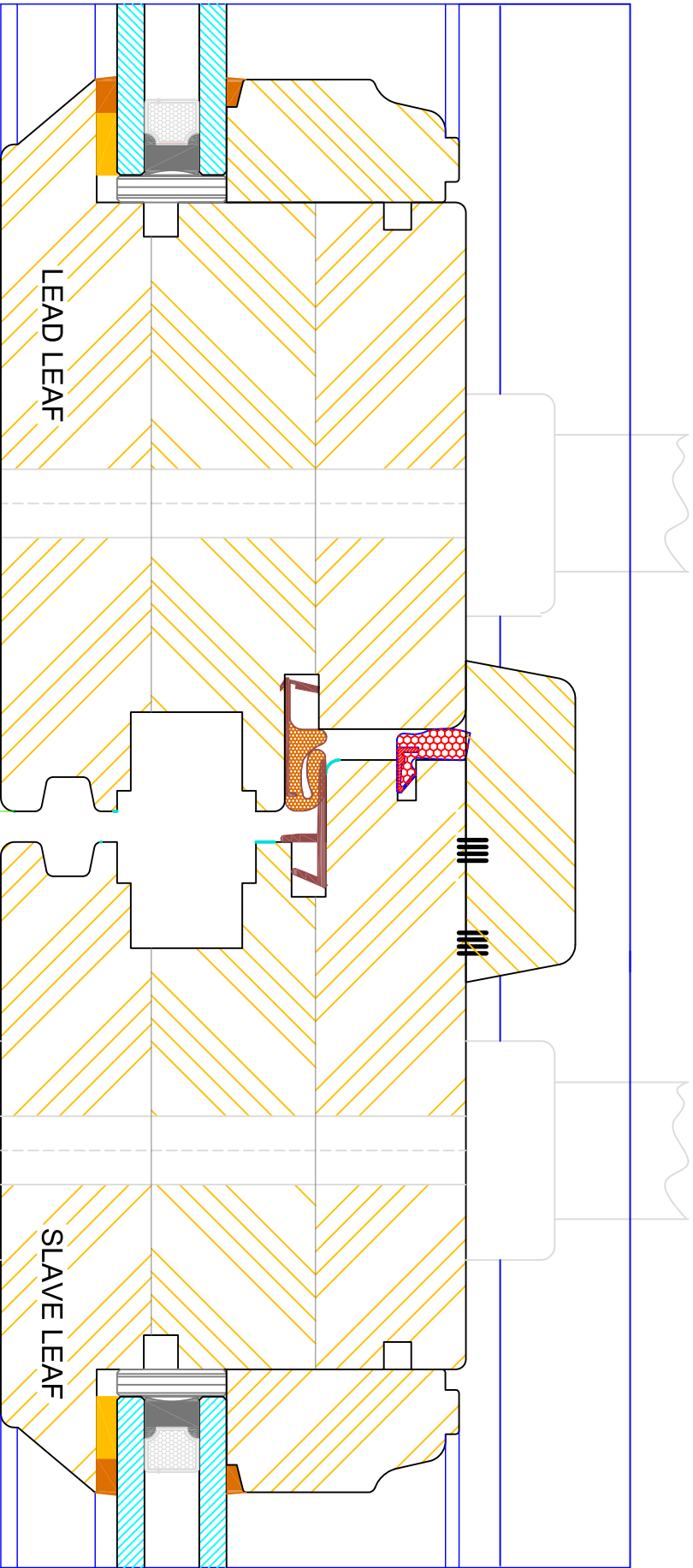
# Bereco

## Heritage Slim-Line Open Out Flush French Door Flying Mullion (Double Handle)

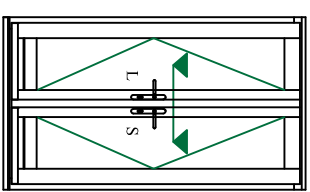
DIMENSIONS	PLOT SIZE	SCALE	DATE	REV	DWG NO.
MM	A4	1:1	01.01.2019	B	<b>4705</b>

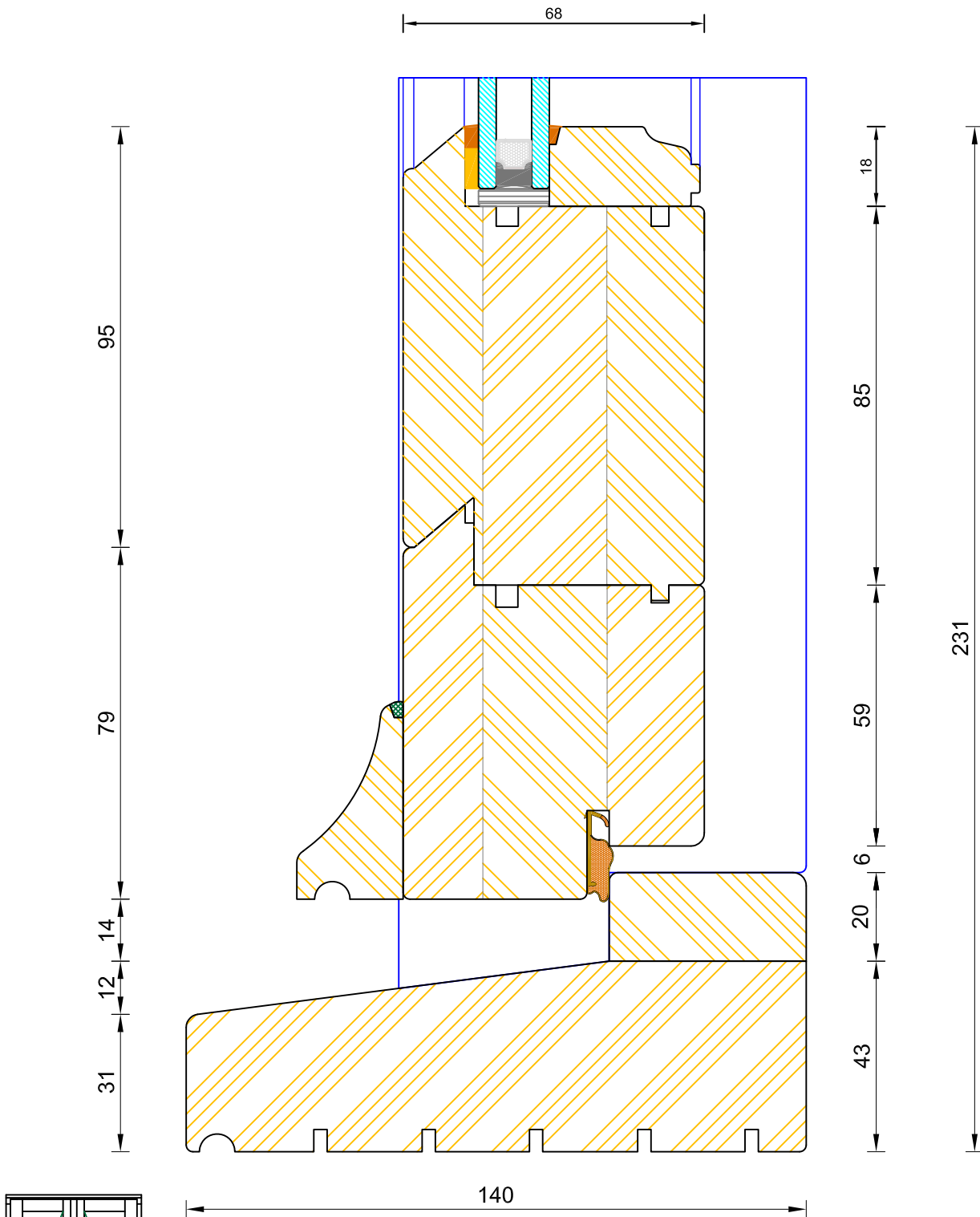
Please consider the environment before printing

207



68



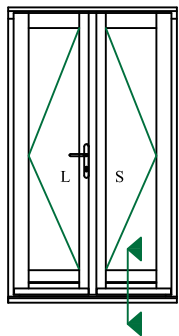
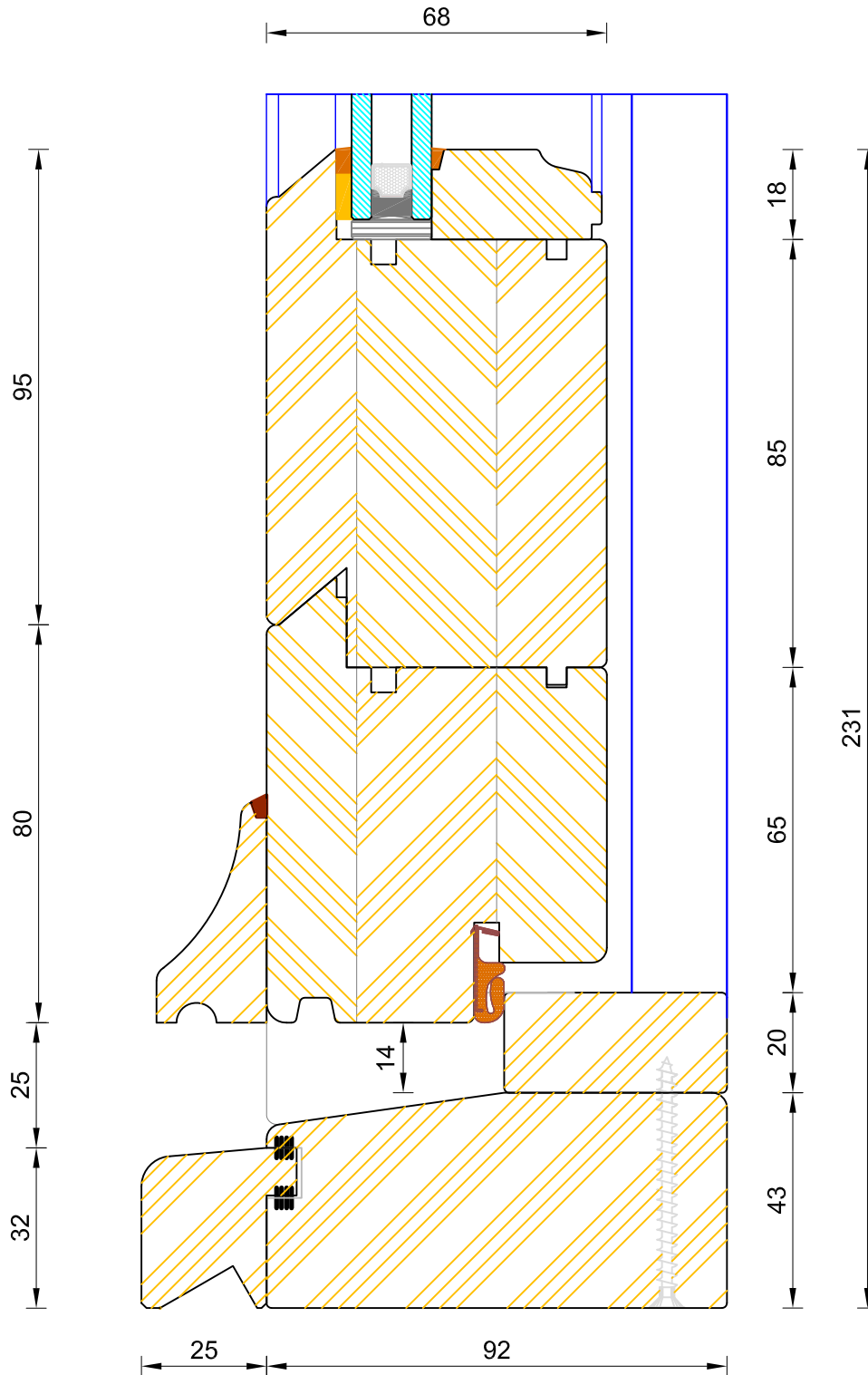


If not otherwise stated, Hardwood Threshold will be stained 5064 Walnut.



**Heritage Slim-Line Open Out Flush French Door  
Standard Thresh (140x43mm)**

DIMENSIONS	PLOT SIZE	SCALE	DATE	REV	DWG NO.
MM	A3	1:1	01.01.2019	B	<b>4706</b>
Please consider the environment before printing					



CILL EXTENSION - available options: 25mm (237mm o/a) / 47mm (139mm o/a) / 62mm (154mm o/a) / 87mm (179mm o/a) / 100mm (192mm o/a) / 125mm (217mm o/a) / 140mm (232mm o/a)

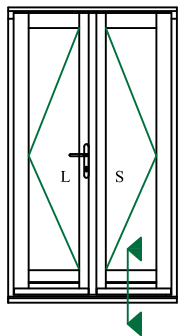
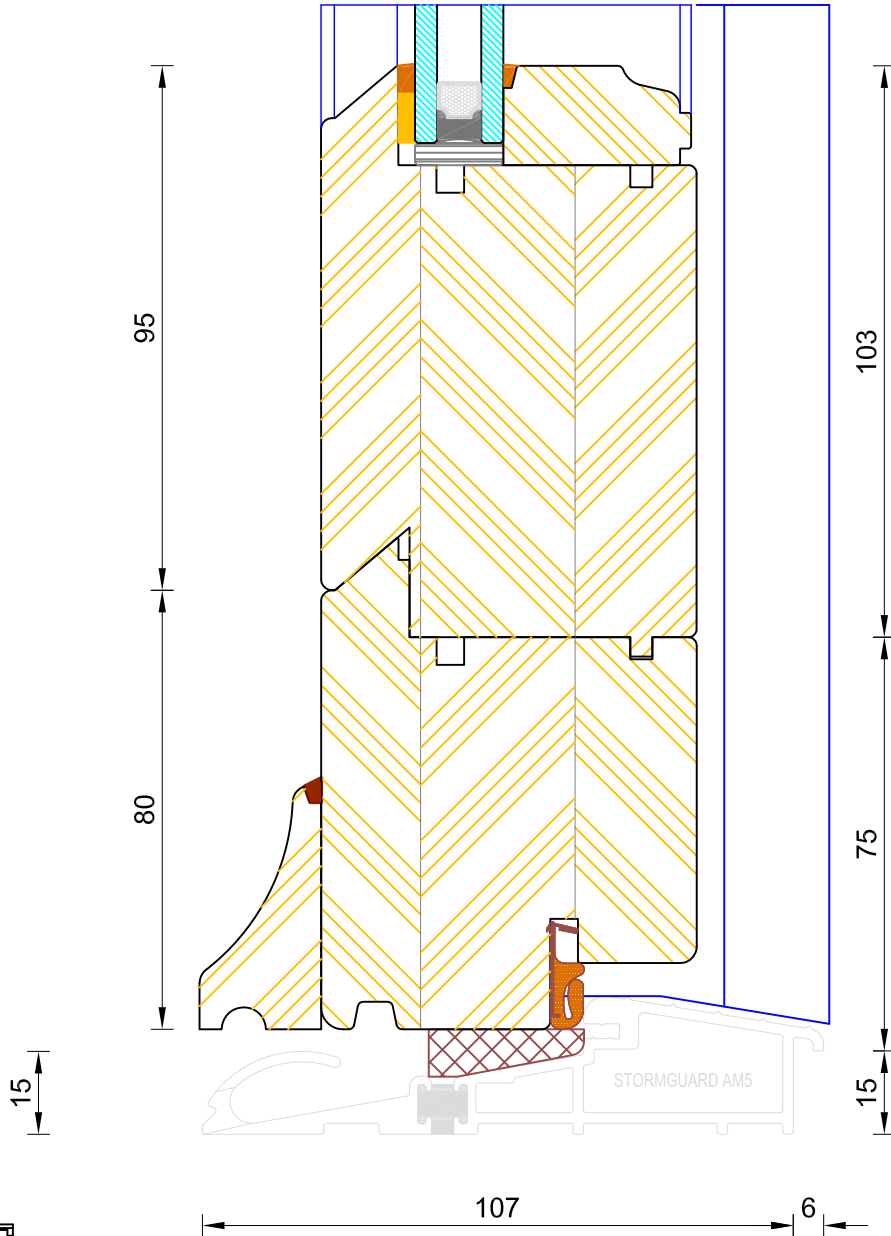
NOTE: Cill Extensions should be supported from underneath; the maximum overhang over Brick / Blockwork for cill extension should not exceed 25mm in order to avoid damage when stepped on. Warranties are invalidated when fitted with overhang in excess to that.

If not otherwise stated, Hardwood Threshold will be stained 5064 Walnut.



### Heritage Slim-Line Open Out Flush French Door Coupling Thresh

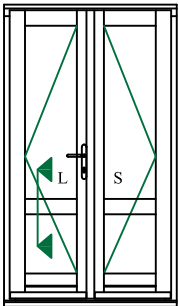
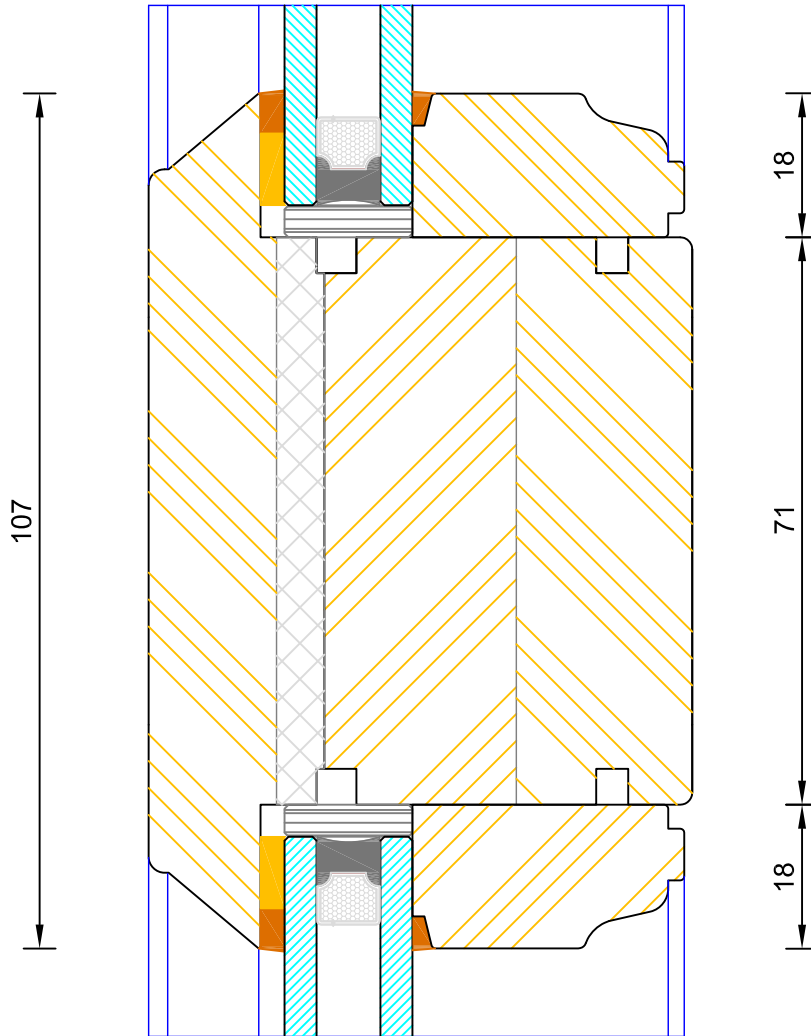
DIMENSIONS	PLOT SIZE	SCALE	DATE	REV	DWG NO.
MM	A3	1:1	01.01.2019	B	<b>4707</b>
Please consider the environment before printing					



**Heritage Slim-Line Open Out Flush French Door  
Mobility Thresh**

DIMENSIONS	PLOT SIZE	SCALE	DATE	REV	DWG NO.
MM	A3	1:1	01.01.2019	B	<b>4708</b>
Please consider the environment before printing					





**Heritage Slim-Line Open Out Flush French Door  
Mid Rail**

DIMENSIONS	PLOT SIZE	SCALE	DATE	REV	DWG NO.
MM	A4	1:1	01.01.2019	B	<b>4709</b>
Please consider the environment before printing					