



# ADJUSTMENT OF BERECO WINDOWS & DOORS



## Thank you for choosing Bereco timber windows and doors.

Our high performance windows and doors are designed to be low maintenance and last a lifetime and feature only the highest quality hardware that can be fully adjusted after installation.

This easy to follow, practical **how-to handbook** guides you through any seasonal and routine maintenance adjustments that may be required in the months and years after your installation.

**Sustainable. Secure.**  
**Functional. Beautiful.**



## Welcome to the Bereco Product Adjustment Guide

### Contents

#### Adjustment Guides

Sliding Sash Windows	4
Casement Windows	6
Tilt & Turn Windows	9
Flush Doors	13
Lipped Doors	15
Stable Doors	18
Folding Doors	20
Patio Doors	22

All information in this brochure is correct to the best of our knowledge at the time of print. Bereco reserve the right to alter products and specification without prior notice. Colours may differ from those illustrated.

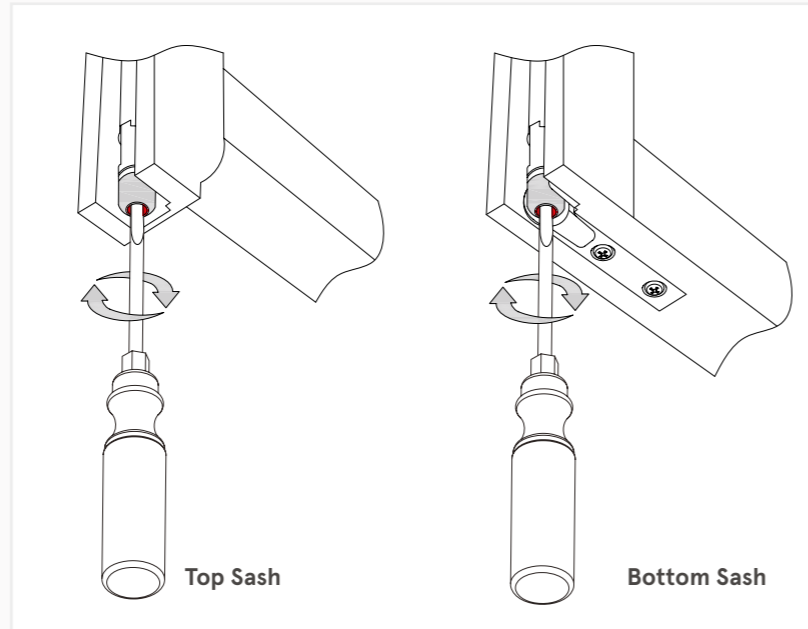
# Sliding Sash Windows Adjustment Guide

Bereco Sliding Sash Spiral Balance windows are fitted with pre-tensioned balances and should need little or no adjustment.

## Tension adjustment

If any dropping of the sash occurs over time, balances can be tensioned as follows:

- Insert a flat headed screwdriver into the slot in the ratchet fitting at the bottom of the balance.
- Adjust by turning the ratchet in an anti-clockwise direction as viewed from the underside.
- Two clicks of the ratchet equal one complete turn.



## F Type balance

Number of adjustment turns

- The relevant weight in Kg's is printed on the balance tube.
- The colour referred to in the chart corresponds with the plug that houses the ratchet adjustment screw.
- The adjustment chart below shows the number of turns that can be added to each balance.
- Ensure that the same numbers of turns are applied to each balance pair.
- Do not tension the balances more than recommended as over tension may lead to balance failure.

LENGTH (INCHES)	WEIGHT (KG)							
	Grey	Claret	Yellow	Black	Natural	Orange	Green	Blue
10	8-15	16-23	24-31	32-38	39-45	46-50	51-55	56-60
11	1.5	2	2.5	1	1	2	2	2
12	1.5	2	2.5	1	1	2	2	2
13	1.5	2	2.5	1	1	2	2	2
14	1.5	2	2.5	1	1	2	2	2
15	1.5	2	2.5	1	1	2	2	2
16	2	2	2.5	2	2	2	2	3
17	2	2	2.5	2	2	2	2	3
18	2	2	3.5	2	2	2	3	3
19	2	3	3.5	2	2	2	3	3
20	2	3	3.5	2	2	3	3	3
21	2	3	3.5	2	2	3	3	4
22	2	3	3.5	2	2	3	3	4
23	2	3	3.5	2	3	3	3	4
24	2	3	3.5	2	3	3	3	4
25	2	3	3.5	2	3	3	3	4
26	2	3	3.5	3	3	3	3	4
27	2	3	3.5	3	3	3	3	5
28	2	3	3.5	3	3	3	4	5
29	2	3	3.5	3	3	3	4	5
30	2	3	3.5	3	3	3	4	6
44	3	4	4.5	4	4	5	6	8
45	3	4	5.5	4	4	5	6	9
46	4	4	5.5	4	4	5	6	9
47	4	4	5.5	5	4	5	6	9
48	4	4	5.5	5	5	5	6	9
49	4	4	5.5	5	5	5	6	9
50	4	4	5.5	5	5	6	6	10



**Note:** Acoustic & triple glazed windows are supplied with K type balances which require no adjustment. Please contact our customer care team for further assistance for windows fitted with K type balances.

**Bereco Sliding Sash Windows**

# Casement Windows Adjustment Guide

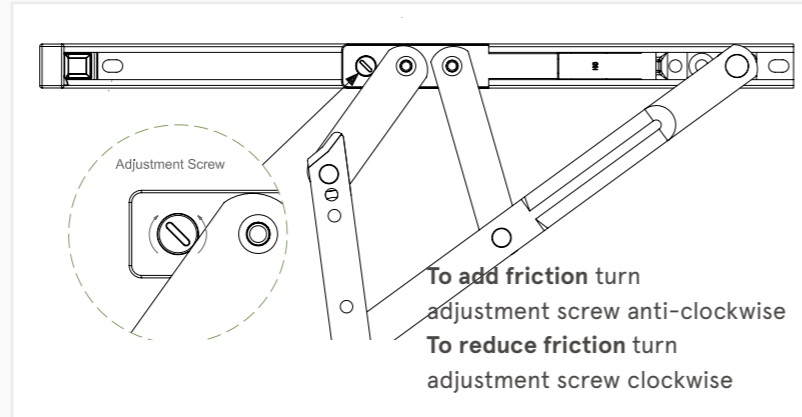
Bereco casement windows are supplied with secure espagnolette locking mechanisms, operated by turning the handle.

## Hinge Adjustment

### Friction hinge adjustment

Friction hinges can be adjusted to add or reduce friction of the hinge by using a flat headed screwdriver.

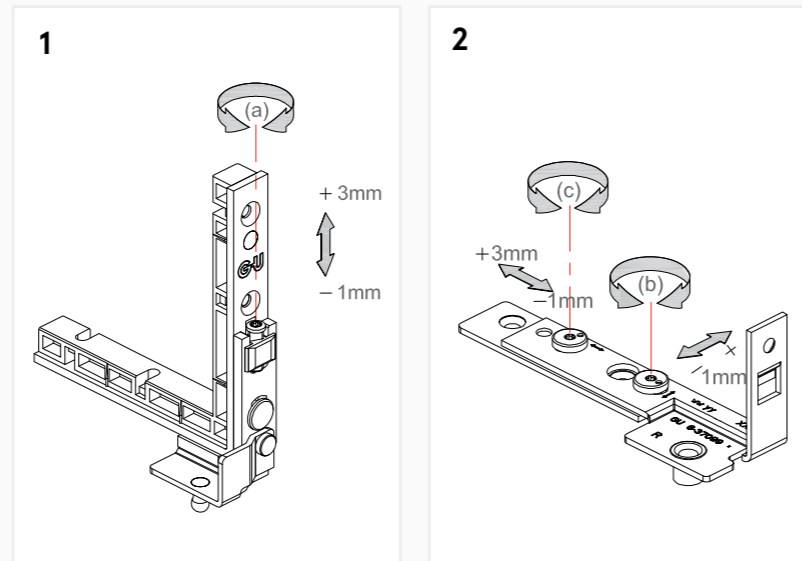
For compression adjustment see page 5



### GU hinge adjustment (Flush casement only)

#### 1. Height adjustment + 3mm/- 1mm

To lift the opening sash turn screw (a) clockwise  
To lower the opening sash turn screw (a) anti-clockwise



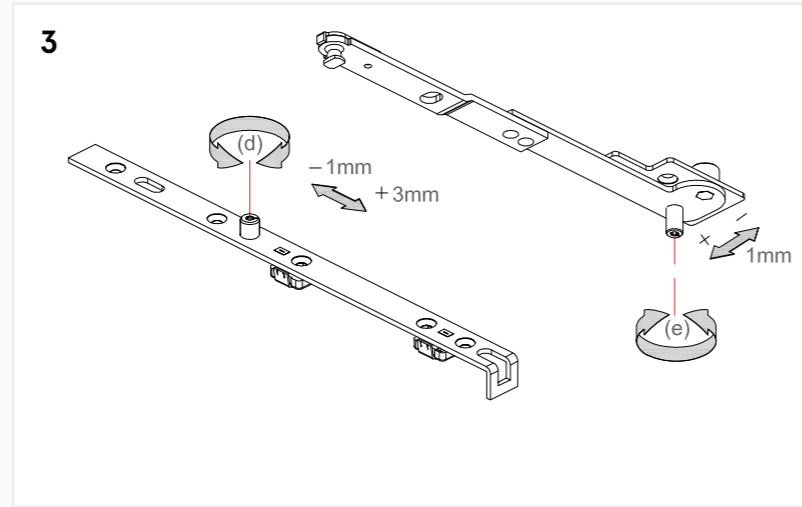
#### 2. Horizontal adjustment +3mm/- 1mm

##### Bottom hinge (see diagram 2)

- To move the opening sash away from the hinge side turn screw (c) clockwise
- To move the opening sash towards the hinge side turn screw (c) anti-clockwise

##### Top hinge (see diagram 3)

- To move the opening sash away from the hinge side turn screw (d) clockwise
- To move the opening sash towards the hinge side turn screw (d) anti-clockwise



#### 3. Gasket compression adjustment + 3mm/- 1mm

##### Bottom hinge (see diagram 2)

- To increase gasket compression turn screw (b) clockwise
- To decrease gasket compression turn screw (b) anti-clockwise

##### Top hinge (see diagram 3)

- To increase gasket compression turn screw (e) clockwise
- To decrease gasket compression turn screw (e) anti-clockwise

GU hinges can be adjusted in 3 dimensions by using a Torx 15 key.

**Note:** Both hinges should be adjusted equally. We recommend this is done in quarter turns until the desired friction is achieved.



Bereco Casement Windows

## Cam adjustment + /- 1mm

The cams on the locking mechanism are adjustable and give the ability to increase or decrease gasket compression.

Cams can be adjusted with a 4mm allen key (see diagram 1)

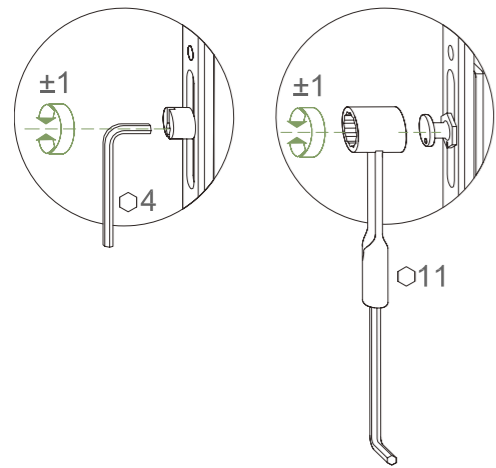
Roller Cams can be adjusted with an 11mm spanner (see diagram 2)

**To increase gasket compression (Max) +/- 1mm**  
Turn cam until the indicator point is facing to the outside

**To decrease gasket compression (Min) +/- 1mm**  
Turn cam until the indicator point is facing to the inside

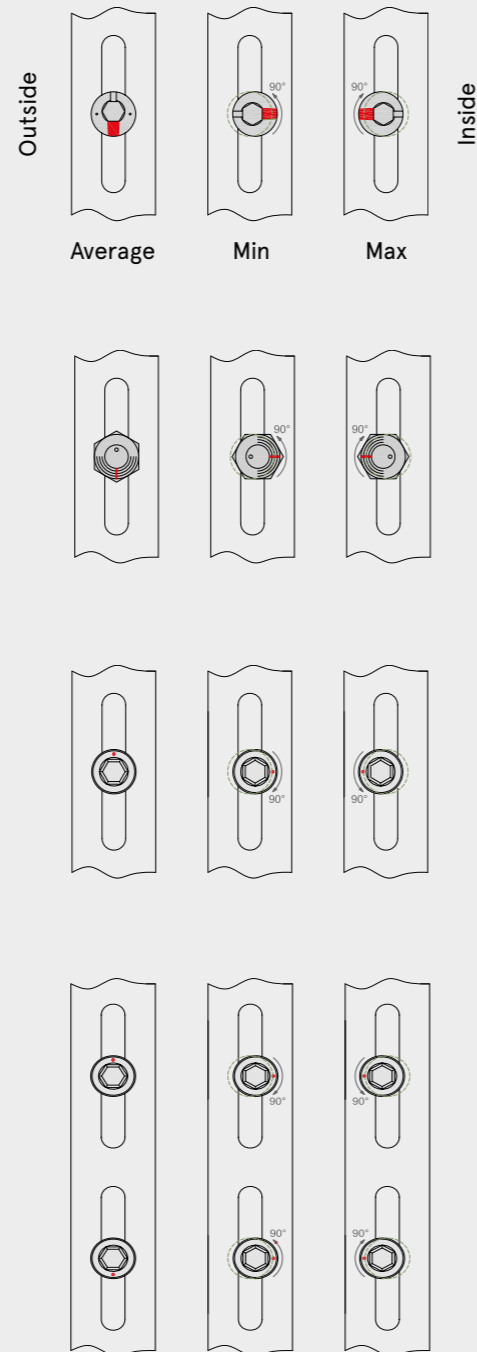
Cam (diagram 1)

Roller Cam (diagram 2)



## Indicator points

The images below show the different types of cams with the indicator points set in: average, minimum (min) and maximum (max) gasket compression.



**Note:** All cams should be adjusted the same direction and equally. We recommend this is done in quarter turns until the desired gasket-compression or operation is achieved.

# Tilt & Turn Windows Adjustment Guide

Bereco tilt & turn windows are supplied with secure espagnolette locking mechanisms, operated by turning the handle.

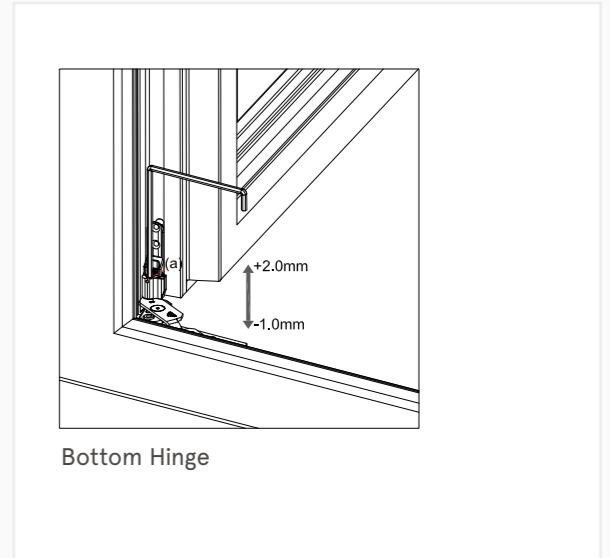
## Hinge Adjustment

Hinges that can be adjusted to increase or decrease gasket compression and to centre opening sashes in their frames.

### Height adjustment + 2mm/- 1mm

**To lift the opening sash**  
Turn screw (a) by turning clockwise

**To lower the opening sash**  
Turn screw (a) anti-clockwise



Bottom Hinge

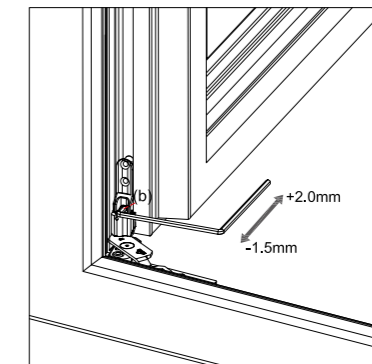
### Horizontal adjustment + 2mm/- 1.5mm

#### Bottom hinge

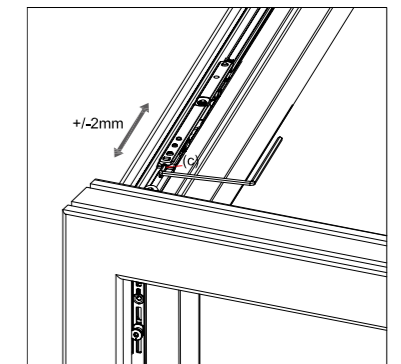
- To move the opening sash away from the hinge side turn screw (b) clockwise
- To move the opening sash towards the hinge side turn screw (b) anti-clockwise

#### Top Hinge

- To move the opening sash away from the hinge side turn screw (c) clockwise
- To move the opening sash towards the hinge side turn screw (c) anti-clockwise



Bottom Hinge



Top Hinge

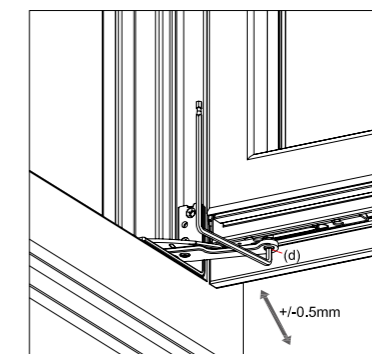
### Gasket compression adjustment +/- 0.5mm

#### Bottom hinge

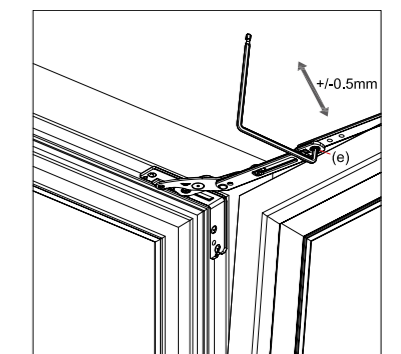
- To increase gasket compression turn screw (d) clockwise
- To decrease gasket compression turn screw (d) anti-clockwise

#### Top Hinge

- To increase gasket compression turn screw (e) clockwise
- To decrease gasket compression turn screw (e) anti-clockwise



Bottom Hinge



Top Hinge

**Note:** With horizontal and gasket-compression adjustment, both top and bottom hinges need to be adjusted equally. We recommend this is done in quarter turns until the desired friction or operation is achieved.

## Cam Adjustment

The cams on the locking mechanism are adjustable and give the ability to increase or decrease the gasket compression.

Locking cam adjustment Instruction					
Cam type	Adjustment Range	Gasket-compression	Height	Side view	Tools
<b>E cam</b>					
	90° 90°	+ / - 0.8mm			
<b>P cam</b>					
	90° 90°	+ / - 0.8mm			
<b>V cam</b>					
Cam type	Adjustment Range	Gasket-compression	Height adjustment	Side view / top view	Tools
	90° 90°	+ / - 0.8mm	+ / - 0.2mm	<p>0 = Original position</p> <p>- 0.8mm max. adjustment</p> <p>+ 0.8mm max. adjustment</p>	
	180° 180°	-	+ / - 0.4mm		
	270° 270°	+ / - 0.8mm	+ / - 0.6mm		
	360° 360°	-	+ / - 0.8mm		

**Note:** All cams should be adjusted the same direction and equally. We recommend this is done in quarter turns until the desired gasket-compression or operation is achieved.



Bereco Tilt & Turn Windows



Bereco Flush Entrance Door

# Flush Doors Adjustment Guide

Bereco flush French and Entrance doors are fitted with SFS JUST 3D hinges and fully adjustable Fuhr frame keeps for single leaf and Winkhaus for double leaf.

## Hinge Adjustment

Hinges can be adjusted vertically, horizontally or laterally in the frame.

### Height adjustment +/- 2.5mm

#### To lift the door leaf

1. Loosen upper screw (a) by turning anti clockwise
2. Tighten lower screw (b) by turning clockwise
3. Tighten upper screw (a) by turning clockwise to lock off

#### To lower the door leaf

1. Loosen lower screw (b) by turning anti clockwise
2. Tighten upper screw (a) by turning clockwise
3. Tighten lower screw (b) by turning clockwise to lock off

### Gasket compression adjustment +/- 2.5mm

#### To decrease gasket compression

Turn metal wheel (c) downwards until desired adjustment is achieved

#### To increase gasket compression

Turn metal wheel upwards

### Horizontal adjustment +/- 2.5mm

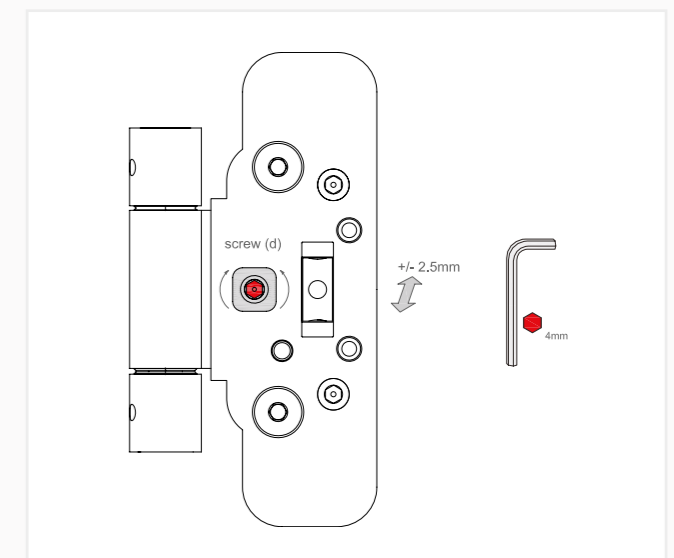
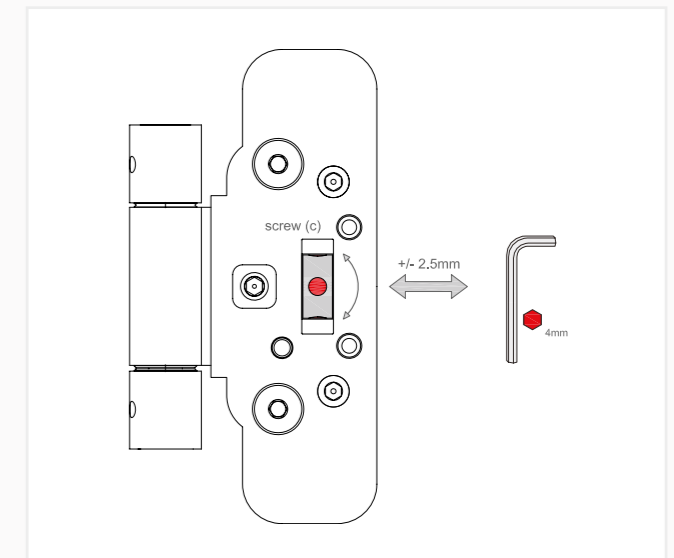
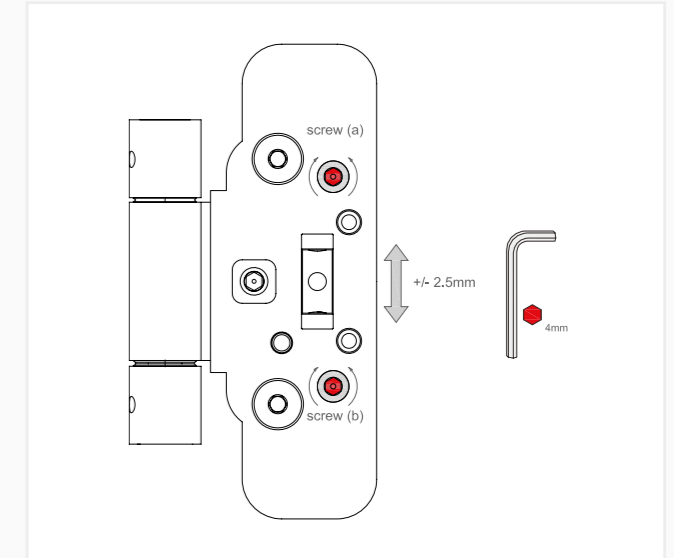
#### To move the door leaf away from the lock side

Turn screw (d) anticlockwise

#### To move the door towards the lock side

Turn screw (d) clockwise

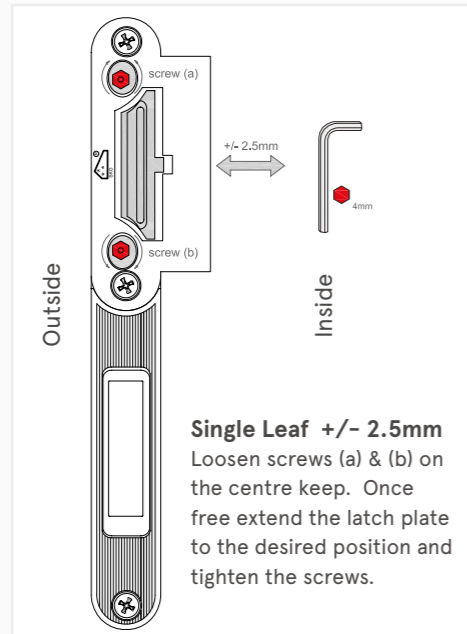
**Note:** All hinges should be adjusted the same direction and equally. We recommend this is done in quarter turns until the desired gasket-compression or operation is achieved.



## Keep Adjustment

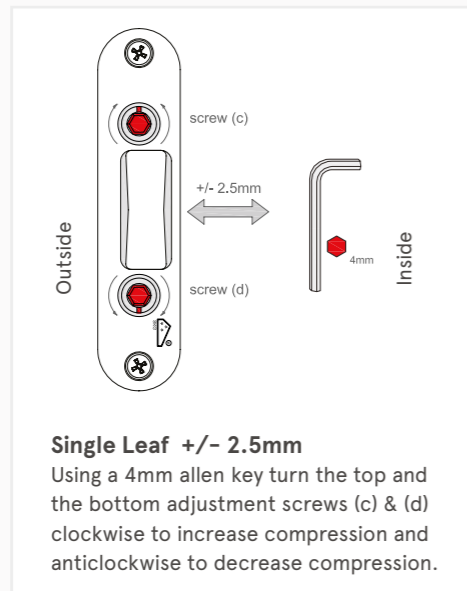
### Centre keep adjustment

The centre keep, or latch keep needs to be adjusted if the door is difficult to close, i.e. the latch does not engage or only engages with force.



### Top and bottom shoot bolt keep adjustment

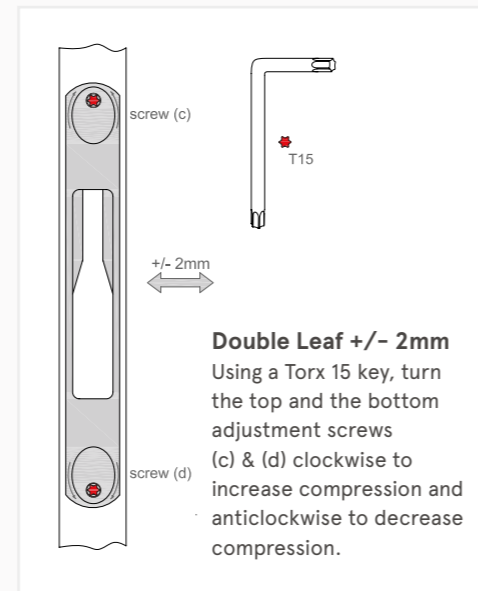
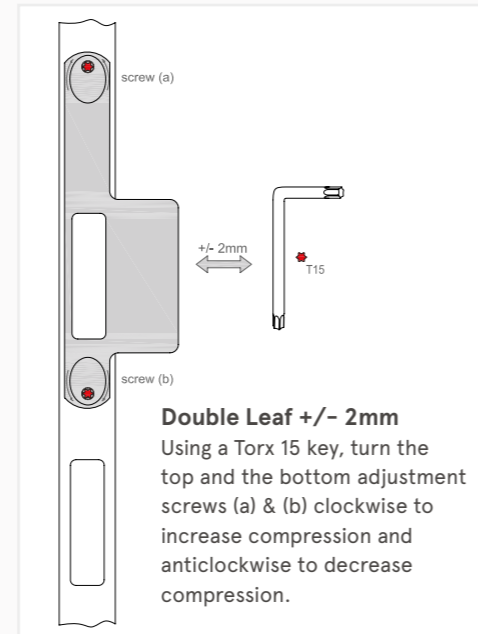
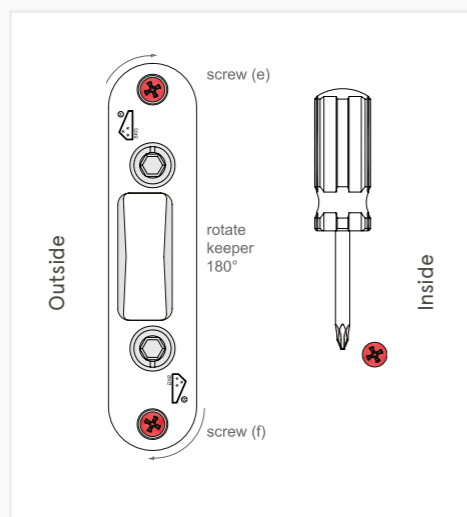
If it is difficult to lift the handle in order to lock the door, both the top and bottom shoot bolt keeps can be adjusted to enable ease of locking and to increase or decrease gasket compression.



### Reversal of top and bottom keeps

If after adjusting all keeps your door is still difficult to latch or lock, the top and bottom keeps can be rotated by 180 degrees to further decrease compression.

1. Remove screws (e) & (f)
2. Remove keep plate
3. Turn keep plate 180 degrees and push back into place
4. Replace screws (e) & (f) and tighten



**Note:** In addition to adjusting the door keeps it may also be necessary to adjust the hinges to get the perfect balance between gasket compression and ease of latching and locking the door. See Flush Door Hinge Adjustment Guide. (Page 9)

We recommend all adjustments are done in quarter turns opening and closing the door after each adjustment until the desired operation is achieved.

## Lipped Doors Adjustment Guide

Bereco lipped or stormproof French doors are fitted with SFS Easy 3D hinges and fully adjustable Fuhr frame keeps.

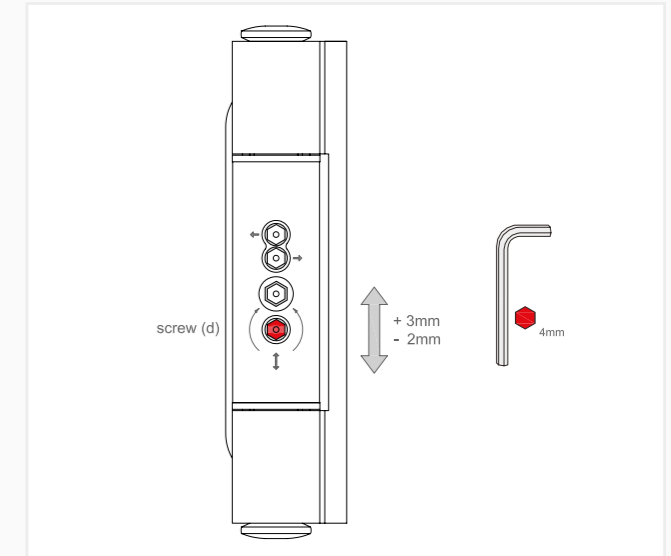
### Hinge Adjustment

Hinges can be adjusted vertically, horizontally or laterally in the frame.

#### Height adjustment +3mm / -2mm

To lift the door leaf turn screw (d) clockwise  
To lower the door leaf turn screw (d) anti clockwise

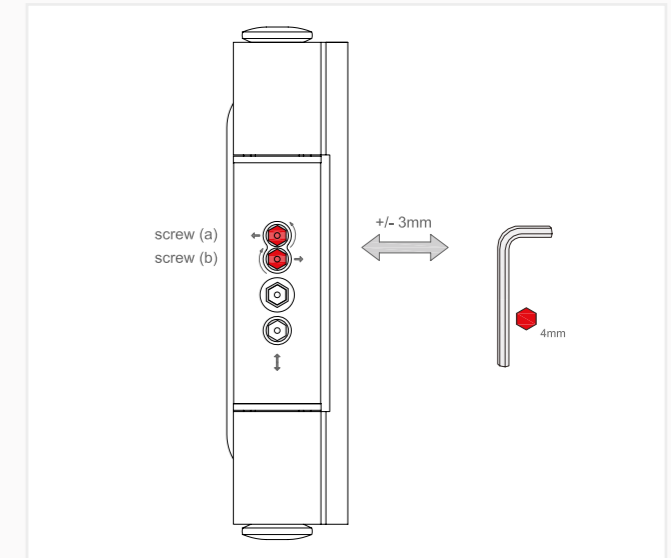
Carry out the adjustment first on one hinge then line up the adjustment screws on the other hinges. The height adjustment is a self-locking mechanism therefore no locking off is required.



#### Horizontal adjustment +/- 3mm

To move the door leaf towards the hinge side  
Loosen screw (a) anti-clockwise  
Tighten screw (b) clockwise  
Tighten screw (a) to lock off when desired position is reached.

To move the door leaf away from the hinge side  
Loosen screw (b) by turning anti-clockwise  
Tighten screw (a) by turning clockwise  
Tighten screw (b) to lock off when desired position is reached.

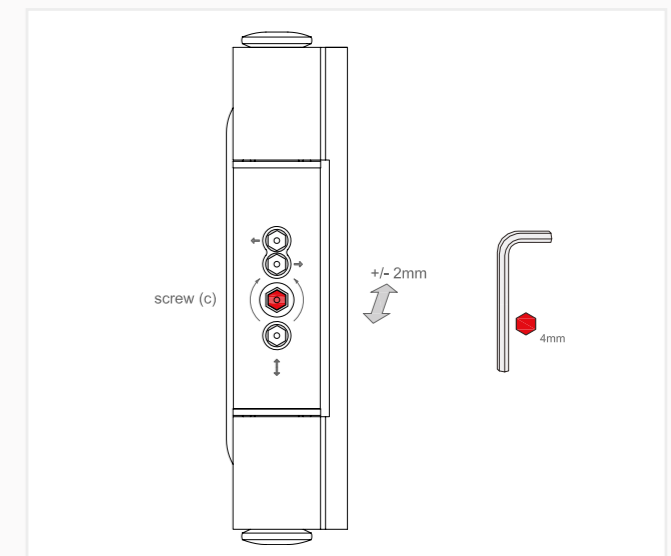


#### Gasket compression adjustment +/- 2mm

To decrease gasket compression  
Turn screw (c) clockwise

To increase gasket compression  
Turn screw (c) anti-clockwise

**Note:** The cover cap hides all the adjustment screws. This must be removed before adjustments can be carried out. All hinges should be adjusted equally and in the same direction. We recommend this is done in quarter turns until the desired operation is achieved.





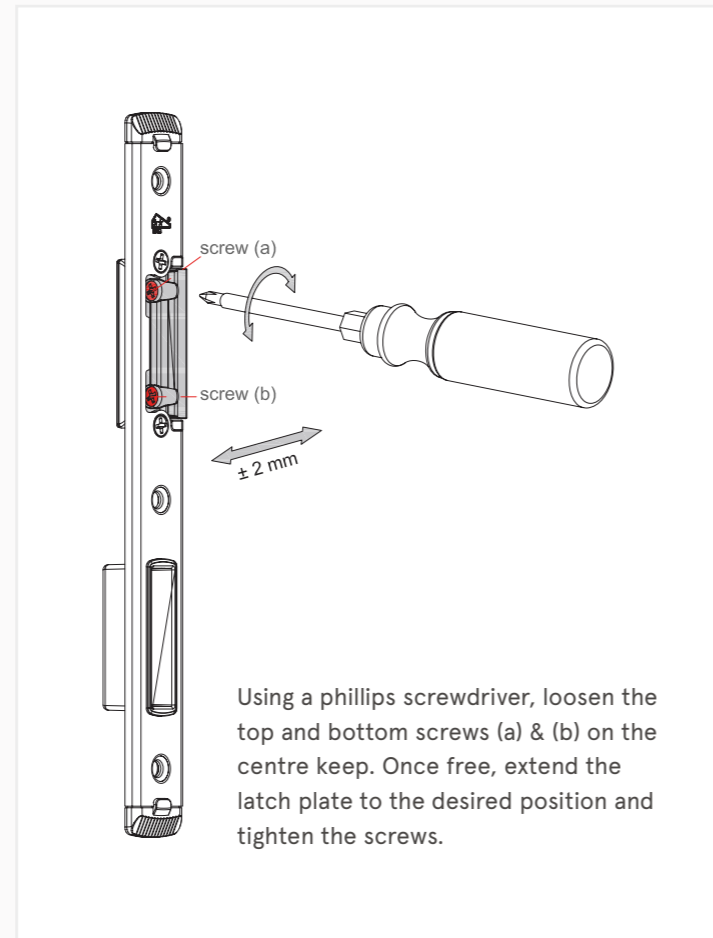
## Keep Adjustment

Keeps can be adjusted to increase or decrease gasket compression and ensure ease of latching and locking the doors.

### Centre keep adjustment +/- 2mm

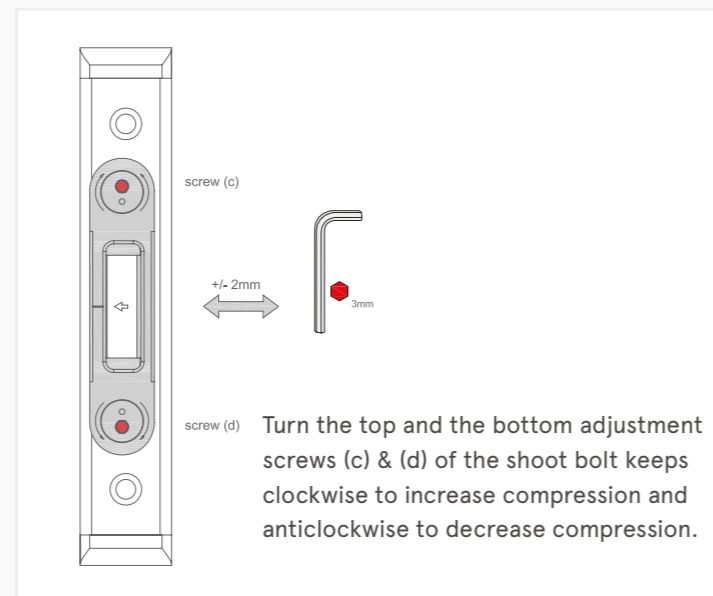
The centre keep, or latch keep needs to be adjusted when it is difficult to close the door, i.e. the latch does not engage or only engages with force.

**Note:** It may be necessary to adjust top and bottom shoot bolt keeps to match the centre keep. See below guide for adjustment of the top and bottom shootbolt keeps.



### Top and bottom shoot bolt keep adjustment +/- 2mm

If it is difficult to lift the handle in order to lock the door both the top and bottom shoot bolt keeps can be adjusted with a 4mm allen key to enable ease of locking and to increase or decrease gasket compression.



**Note:** In addition to adjusting the door keeps, it may be necessary to adjust the hinges to get the perfect balance between gasket compression and ease of latching and locking the door. See Lipped Door Hinge Adjustment Guide. (Page 12)



Bereco Lipped Door

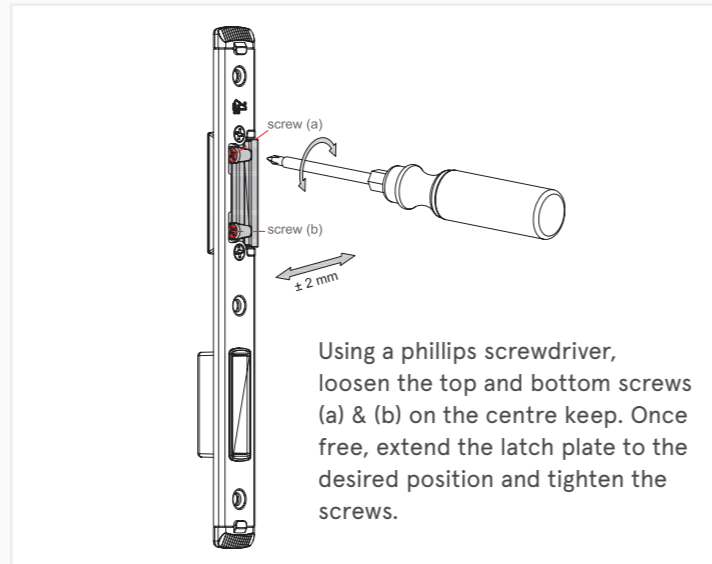
# Stable Doors Adjustment Guide

Bereco Stable doors are fitted with fully adjustable Fuhr frame keeps. These keeps allow the increase or decrease of gasket compression and ensure ease of latching and locking the doors.

## Centre keep adjustment +/- 2mm

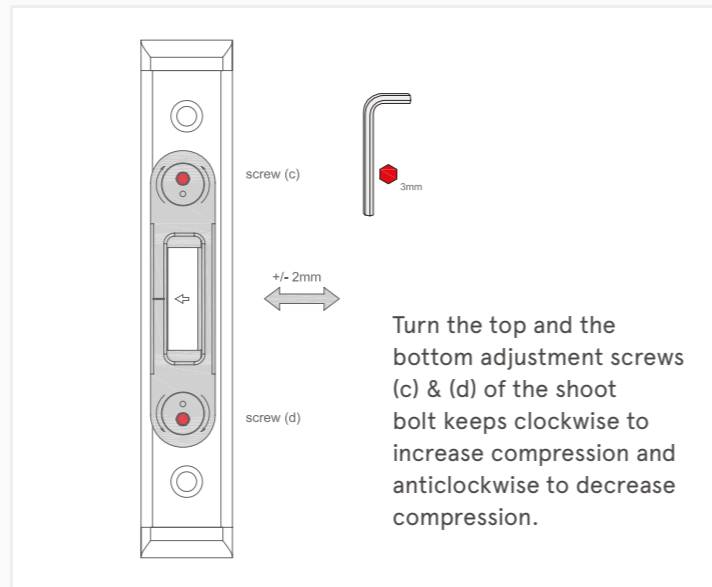
The centre keep, or latch keep needs to be adjusted when it is difficult to close the door, i.e. the latch does not engage or only engages with force.

**Note:** It may be necessary to adjust top and bottom shoot bolt keeps to match the centre keep. See below guide for adjustment of the top and bottom shootbolt keeps.



## Top and bottom shoot bolt keep adjustment +/- 2mm

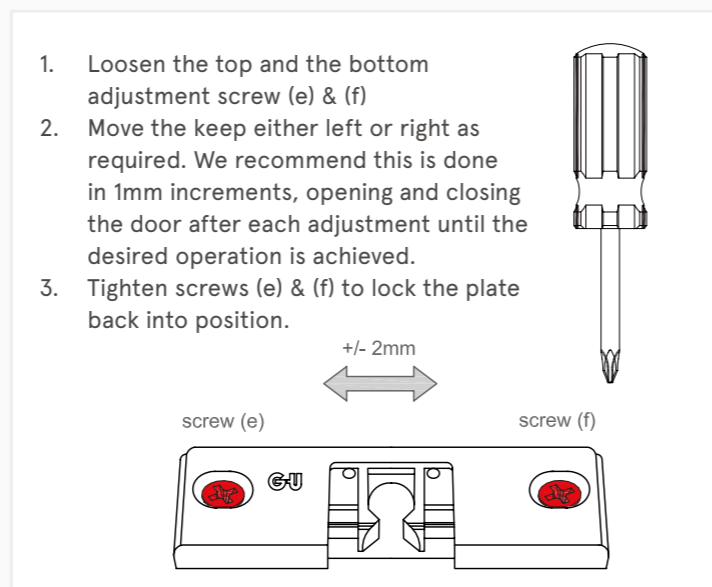
If it is difficult to lift the handle in order to lock the door both the top and bottom shoot bolt keeps can be adjusted with a 4mm allen key to enable ease of locking and to increase or decrease gasket compression.



## Balcony latch keep adjustment +/- 2mm

Situated on the top of the lower door leaf of the Stable door, the balcony latch keep can to be adjusted when it is difficult to close the lower door, i.e. the latch does not engage or only engages with force.

**Note:** It may be necessary to adjust the central latch and top and bottom shoot bolt keeps to ensure ease of locking the door.



Bereco Stable Door

# Folding Doors Adjustment Guide

Bereco Folding doors are supplied with fully adjustable Brio hinges. These hinges allow vertical and horizontal adjustment so that all door leaves running parallel to ensure ease of operation, latching and locking of the doors.

## Height adjustment

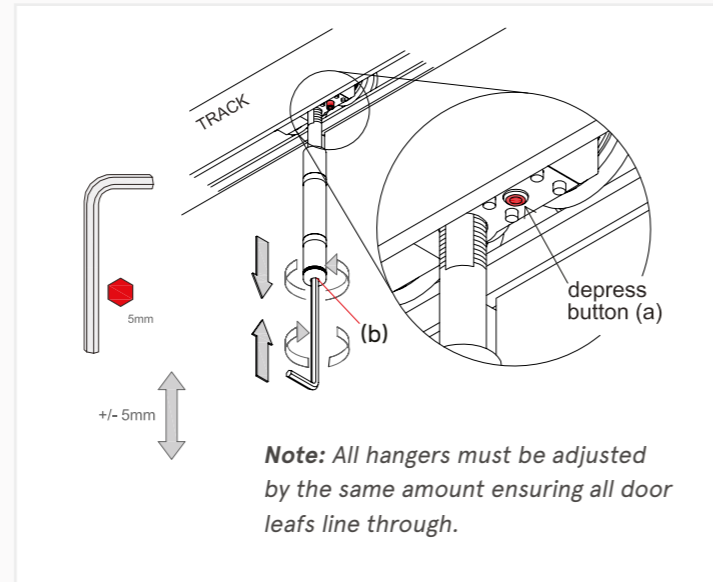
### To lift the door leaf

1. Depress button (a) and hold
2. Turn screw (b) clockwise
3. Release button (a)

### To lower the door leaf

1. Depress button (a) and hold
2. Turn screw (b) anti-clockwise
3. Release button (a)

**Note:** screw (b) may need a slight turn until button (a) releases



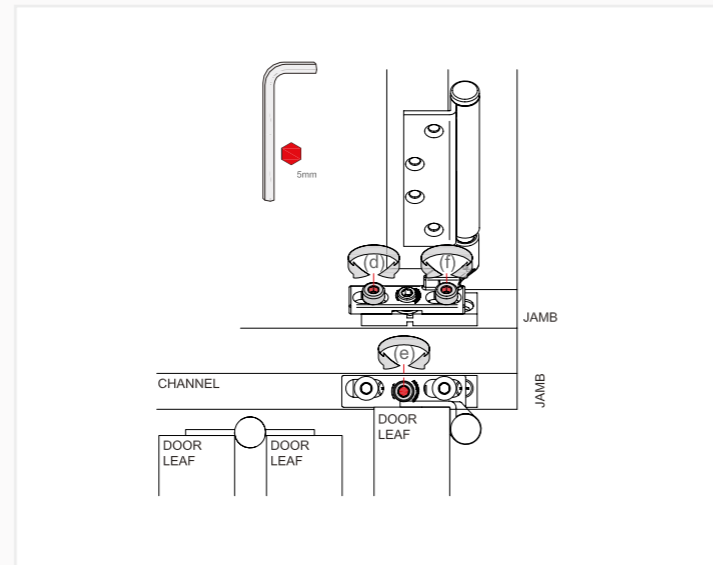
## Horizontal adjustment bottom hinge +/-5mm

### To move the door leaf towards the frame

1. Loosen screws (d) & (f)
2. Turn screw (e) clockwise
3. Tighten screws (d) & (f) to lock off

### To move the door leaf away from the frame

1. Loosen screws (d) & (f)
2. Turn screw (e) anti-clockwise
3. Tighten screws (d) & (f) to lock off



## Horizontal adjustment top hinge +/- 5mm

### To remove the cover cap

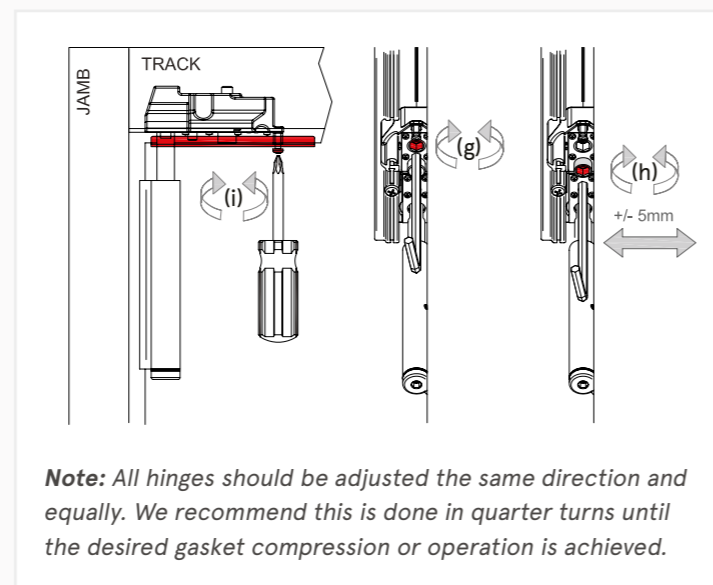
Loosen screw (i) & slide cover cap off

### To move the door leaf

1. Loosen screw (g)
2. Turn screw (h) clockwise to move the door leaf towards the frame.
3. Turn screw anti-clockwise to move door leaf away from the frame.
4. Tighten screw (g) to lock off

### To replace the cover cap

Slide cover cap into place and tighten screw (i)



Bereco Folding Doors

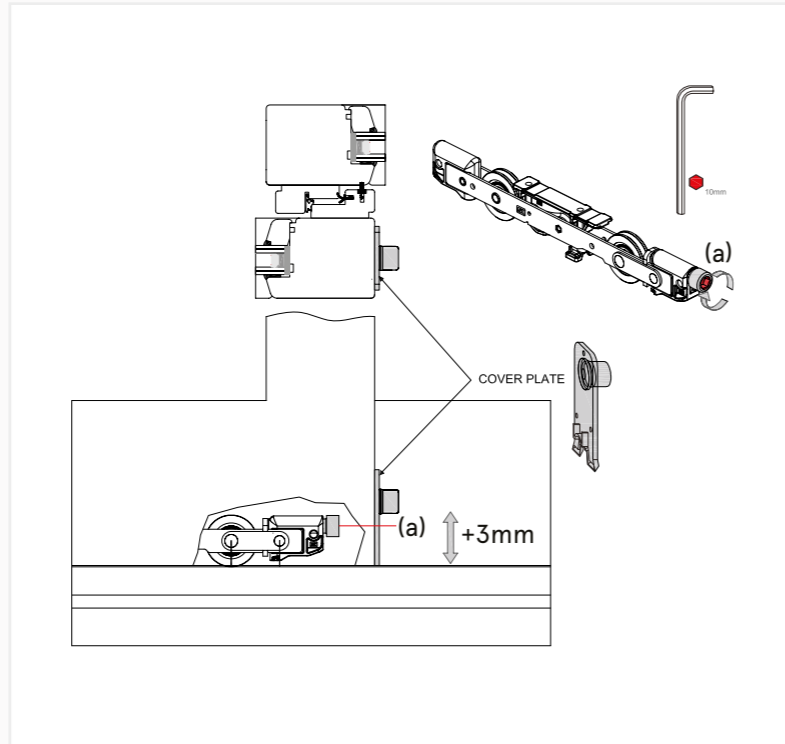
# Patio Doors Adjustment Guide

Providing your patio doors have been installed square and plumb without distortion, there should be no adjustment necessary. Small adjustments may be made after installation if required by the installer or an experienced carpenter or joiner only.

## Height adjustment + 3mm

### To lift the door leaf

1. Remove cover plate
2. Turn screw (a) clockwise using a 10mm allen key
3. Replace cover plate

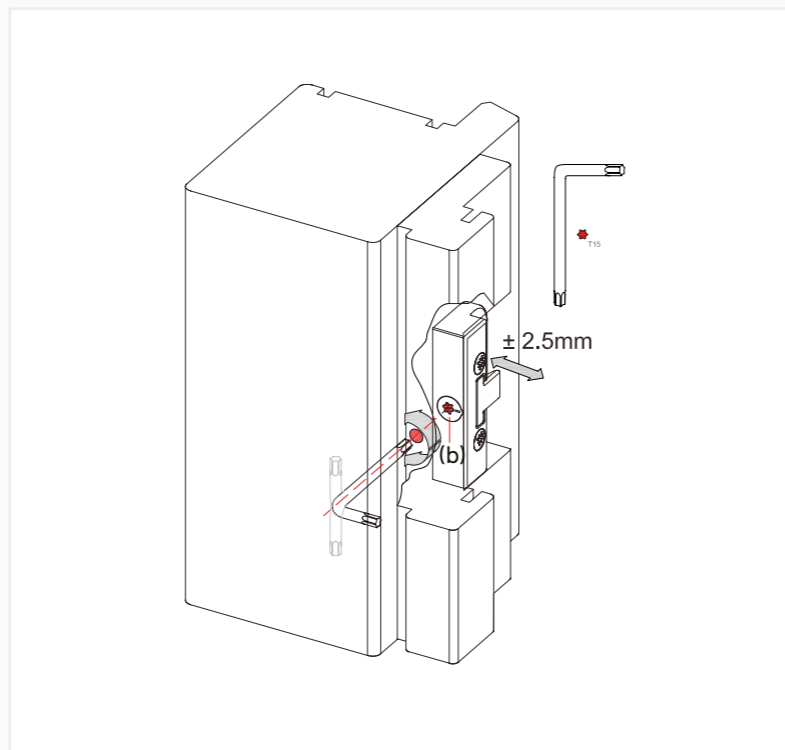


## Meeting rail gasket compression adjustment +/- 2.5mm

Gasket compression can be adjusted using a Torx T15 key.

**To increase gasket-compression**  
Turn screw (b) anti clockwise

**To decrease gasket-compression**  
Turn screw (b) clockwise



Bereco Patio Doors



01709 838188  
enquiries@bereco.co.uk  
www.bereco.co.uk  
@berecowindows

