

# **BERECO** **TECHNICAL &** **SPECIFICATION** **GUIDE**



# Sliding Sash Windows



## Operation

Sashes slide up and down vertically, can be fixed or can be a combination of both.

## Mechanism

### Cords & Weights

1. Cord = 6mm Nylon Plaited Sash Cord (SS4080)
2. Steel or Lead = 2no of 2" square/round steel or lead weights, balanced to the size & weight of the sash
3. Pulley Wheels = 2no of 2" wheels for each sash either side fitted near the top end of the frame jambs
4. Easy Clean System = Simplex fittings allowing the bottom sash to be cleaned from inside (optional on opening bottom sashes only)

### Spiral Balance

2 pre-tensioned inline spring-loaded balances are used per sash and are rebated into the jambs of the outer frame.

## Minimum & maximum sizes and a guide to fire escape.

	Spiral Balance	Cords & Weights
Max Sash Weight	36kg	50kg
Min Width	400mm	500mm
Max Width	1250mm	1350mm
Min Height	900mm	900mm
Max Height	2400mm	2700mm

## Fire Escape

Min Width	562mm	670mm
50/50 Min Height	1235mm	1235mm
40/60 Min Height	1485mm	1485mm
33/67 Min Height	1730mm	1730mm
Min m <sup>2</sup>	0.33m <sup>2</sup>	0.33m <sup>2</sup>

Fire escape sizes show min width and heights to achieve 450mm clear opening.  
Min width for Spiral Balance height indicated is 850mm. Min width for Cords & Weights height indicated is 958mm.

## Weatherstrips

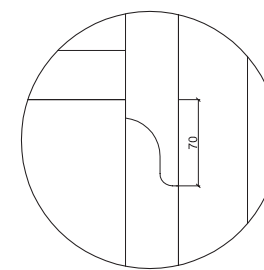
Name	Location	Colours
Schlegel foam-filled Q-Lon 3037	Verticals against parting bead top & bottom sashes	White, Black, Brown
Schlegel foam-filled Q-Lon 3025	To all other verticals, meeting rails and top rail of top sash	White, Black, Brown
Rubber TPA KDA	2 bottom rail gasket to bottom sash	White, Black, Brown

## Vents

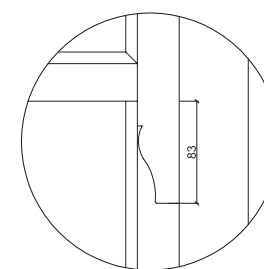
Name	Location	Colours	EA Rating	Acoustic Rating D <sub>n,e,w</sub> (+/-)
Internal: Trimvent Select Xtra XS16	Frame Head	Brown, White	4600 EA	Open 31 (0;0), Closed 42 (-1;-2)
External: PG16 Grill (x2)	Concealed			

## Horns

### Horn Collection



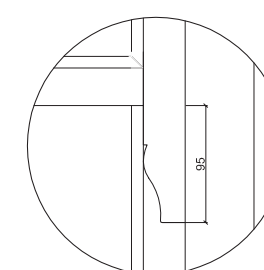
**Classic**  
\*Standard Contemporary



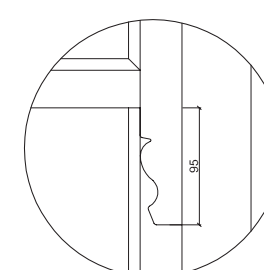
**Belsay**  
\*Standard Traditional & Heritage

### Exclusive Horn Collection

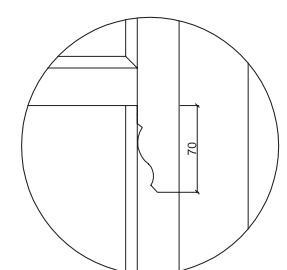
Available on Traditional & Heritage Range only



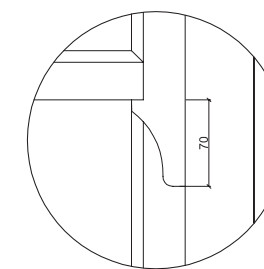
**Aydon**



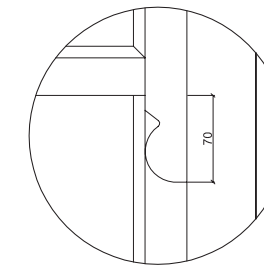
**Camber**



**Dalton**



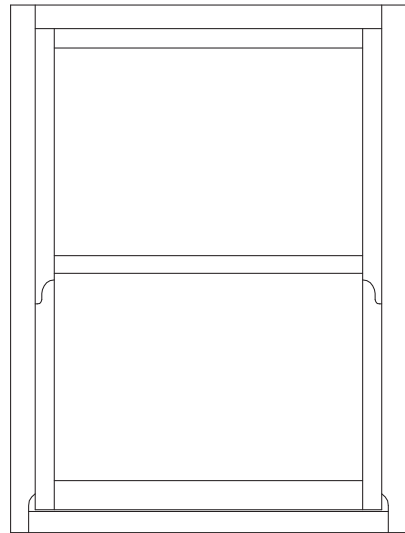
**Elsdon**



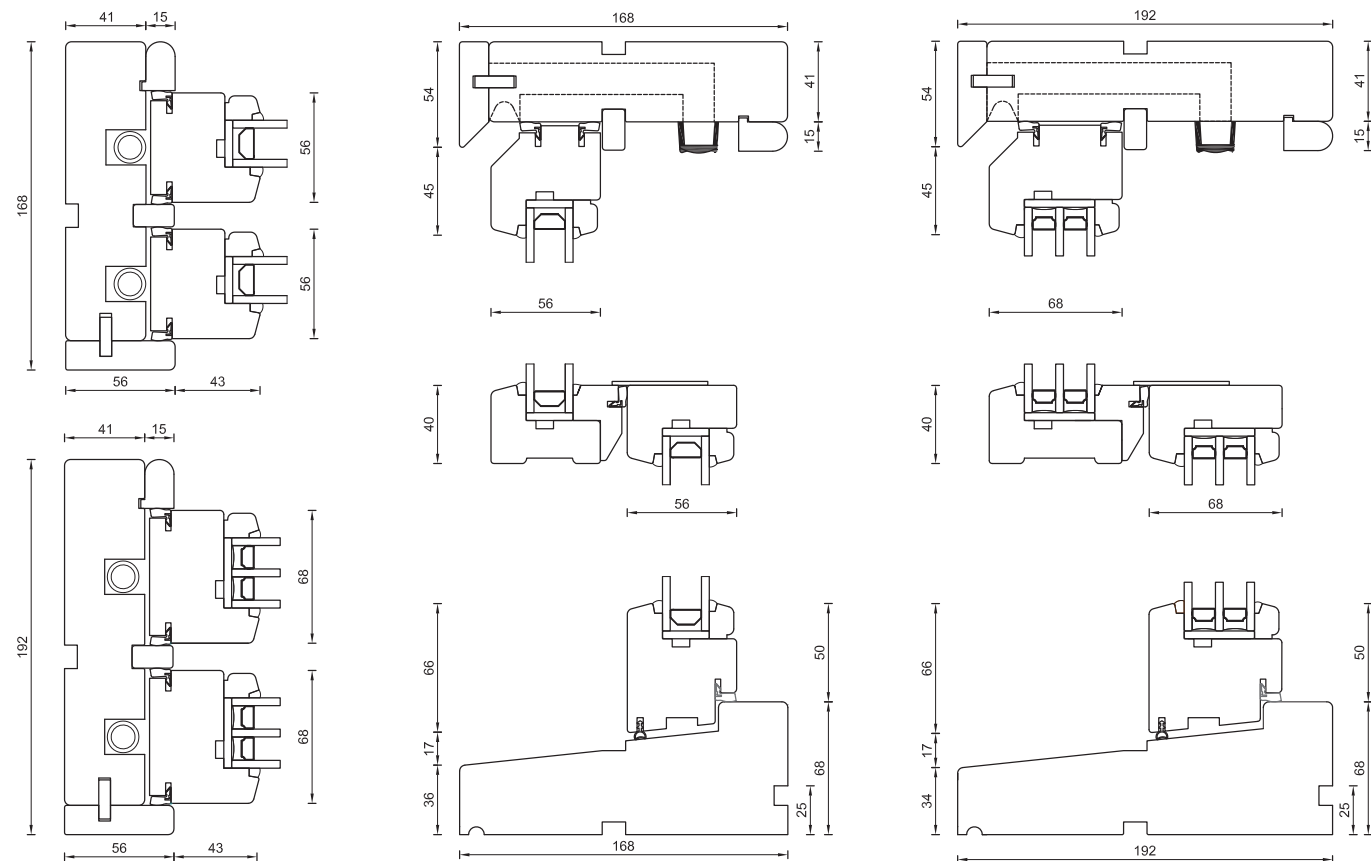
**Farnham**

# Contemporary Spiral Balance

## Section Details

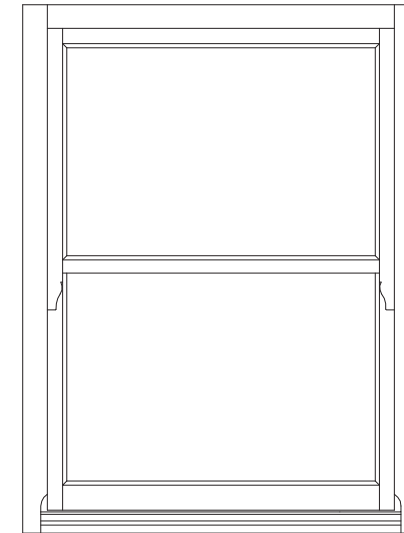


Frame	Double Glazing	Triple Glazing
Head	168mm x 54mm	192mm x 54mm
Jamb	168mm x 56mm	192mm x 56mm
Cill	168mm x 68mm	192mm x 68mm
Top Sash	Double Glazing	Triple Glazing
Top Rail	56mm x 56mm	68mm x 56mm
Stile	56mm x 56mm	68mm x 56mm
Bottom Rail	56mm x 40mm	68mm x 40mm
Bottom Sash	Double Glazing	Triple Glazing
Top Rail	56mm x 40mm	68mm x 40mm
Stile	56mm x 56mm	68mm x 56mm
Bottom Rail	56mm x 66mm	68mm x 66mm
Mullion	168mm x 112mm	192mm x 112mm

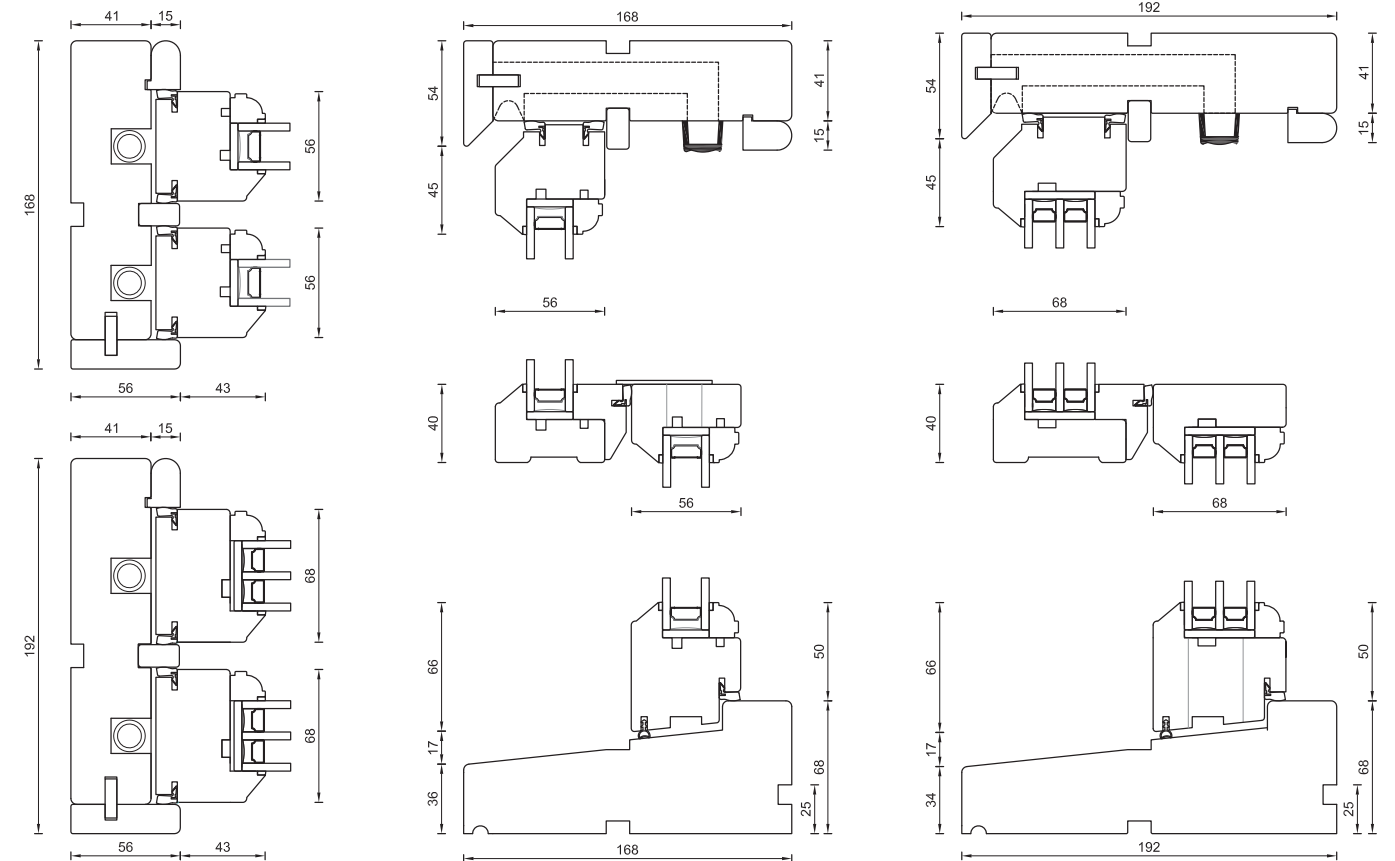


# Traditional Spiral Balance

## Section Details

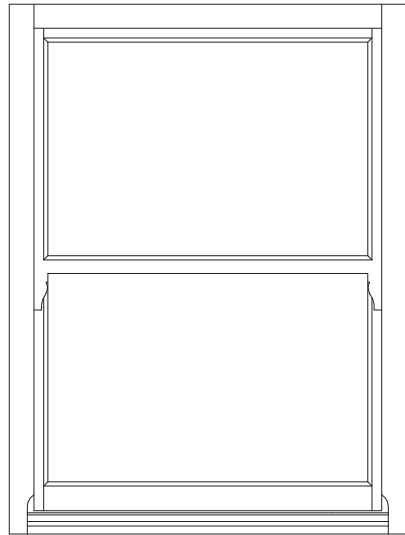


Frame	Double Glazing	Triple Glazing
Head	168mm x 54mm	192mm x 54mm
Jamb	168mm x 56mm	192mm x 56mm
Cill	168mm x 68mm	192mm x 68mm
Top Sash	Double Glazing	Triple Glazing
Top Rail	56mm x 56mm	68mm x 56mm
Stile	56mm x 56mm	68mm x 56mm
Bottom Rail	56mm x 40mm	68mm x 40mm
Bottom Sash	Double Glazing	Triple Glazing
Top Rail	56mm x 40mm	68mm x 40mm
Stile	56mm x 56mm	68mm x 56mm
Bottom Rail	56mm x 66mm	68mm x 66mm
Mullion	168mm x 112mm	192mm x 112mm

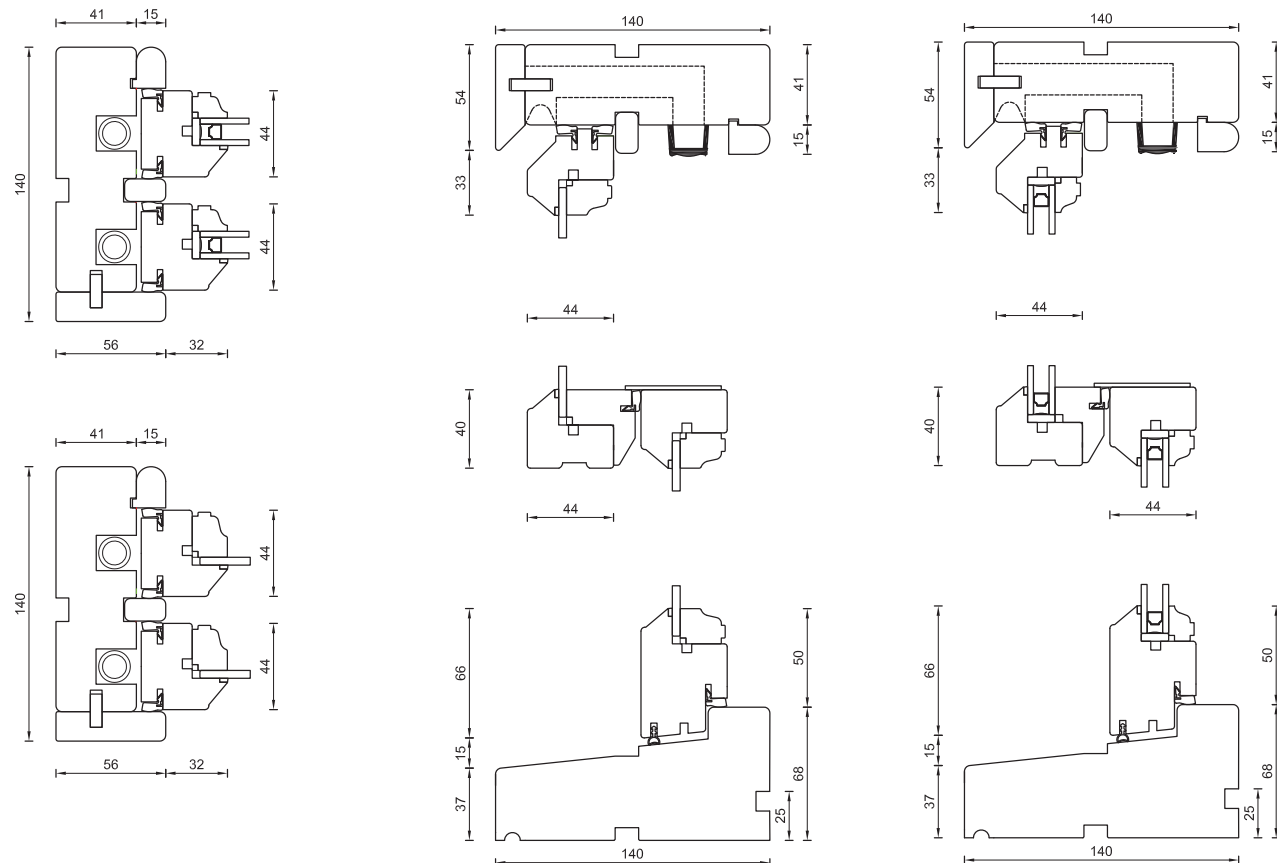


# Heritage Spiral Balance

## Section Details

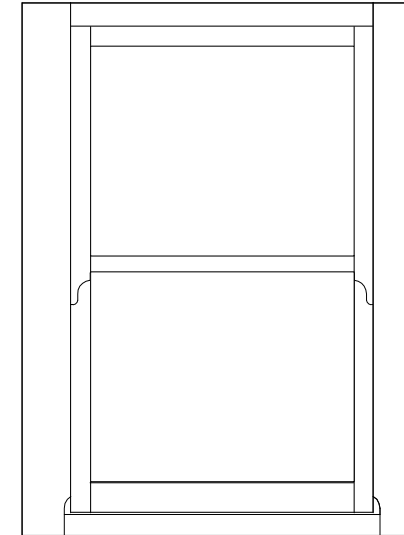


Frame	Single Glazing	SlimLine Glazing
Head	140mm x 54mm	140mm x 54mm
Jamb	140mm x 56mm	140mm x 56mm
Cill	140mm x 68mm	140mm x 68mm
Top Sash	Single Glazing	SlimLine Glazing
Top Rail	44mm x 44mm	44mm x 44mm
Stile	44mm x 44mm	44mm x 44mm
Bottom Rail	44mm x 40mm	44mm x 40mm
Bottom Sash	Single Glazing	SlimLine Glazing
Top Rail	44mm x 40mm	44mm x 40mm
Stile	44mm x 44mm	44mm x 44mm
Bottom Rail	44mm x 66mm	44mm x 66mm
Mullion	140mm x 112mm	140mm x 112mm

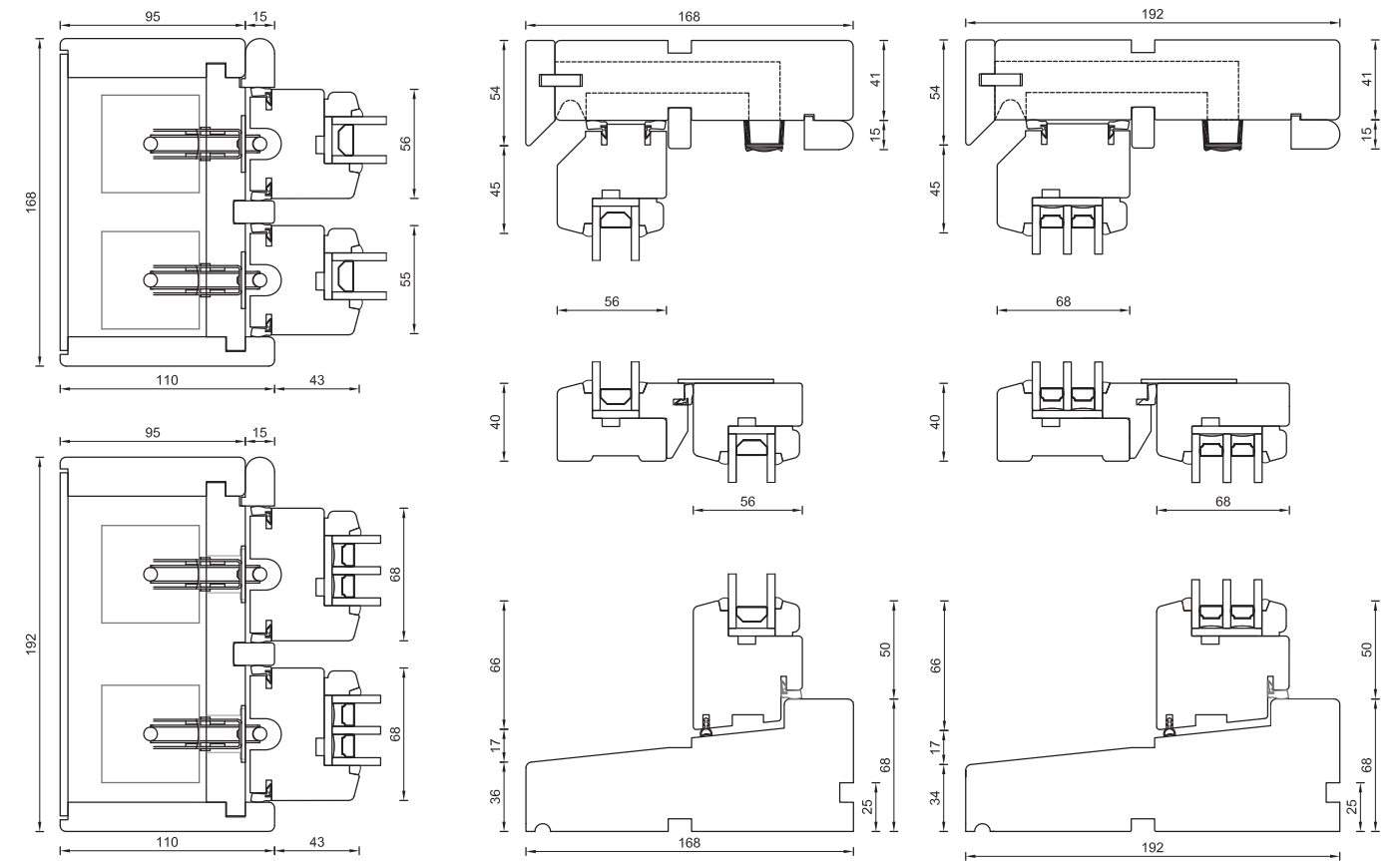


# Contemporary Cords & Weights

## Section Details



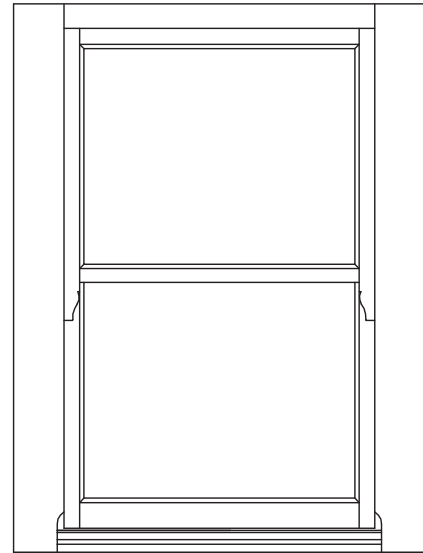
Frame	Double Glazing	Triple Glazing
Head	168mm x 54mm	192mm x 54mm
Jamb	168mm x 110mm	192mm x 110mm
Cill	168mm x 68mm	192mm x 68mm
Top Sash	Double Glazing	Triple Glazing
Top Rail	56mm x 56mm	68mm x 56mm
Stile	56mm x 56mm	68mm x 56mm
Bottom Rail	56mm x 40mm	68mm x 40mm
Bottom Sash	Double Glazing	Triple Glazing
Top Rail	56mm x 40mm	68mm x 40mm
Stile	56mm x 56mm	68mm x 56mm
Bottom Rail	56mm x 66mm	68mm x 66mm
Mullion	168mm x 112mm	192mm x 112mm



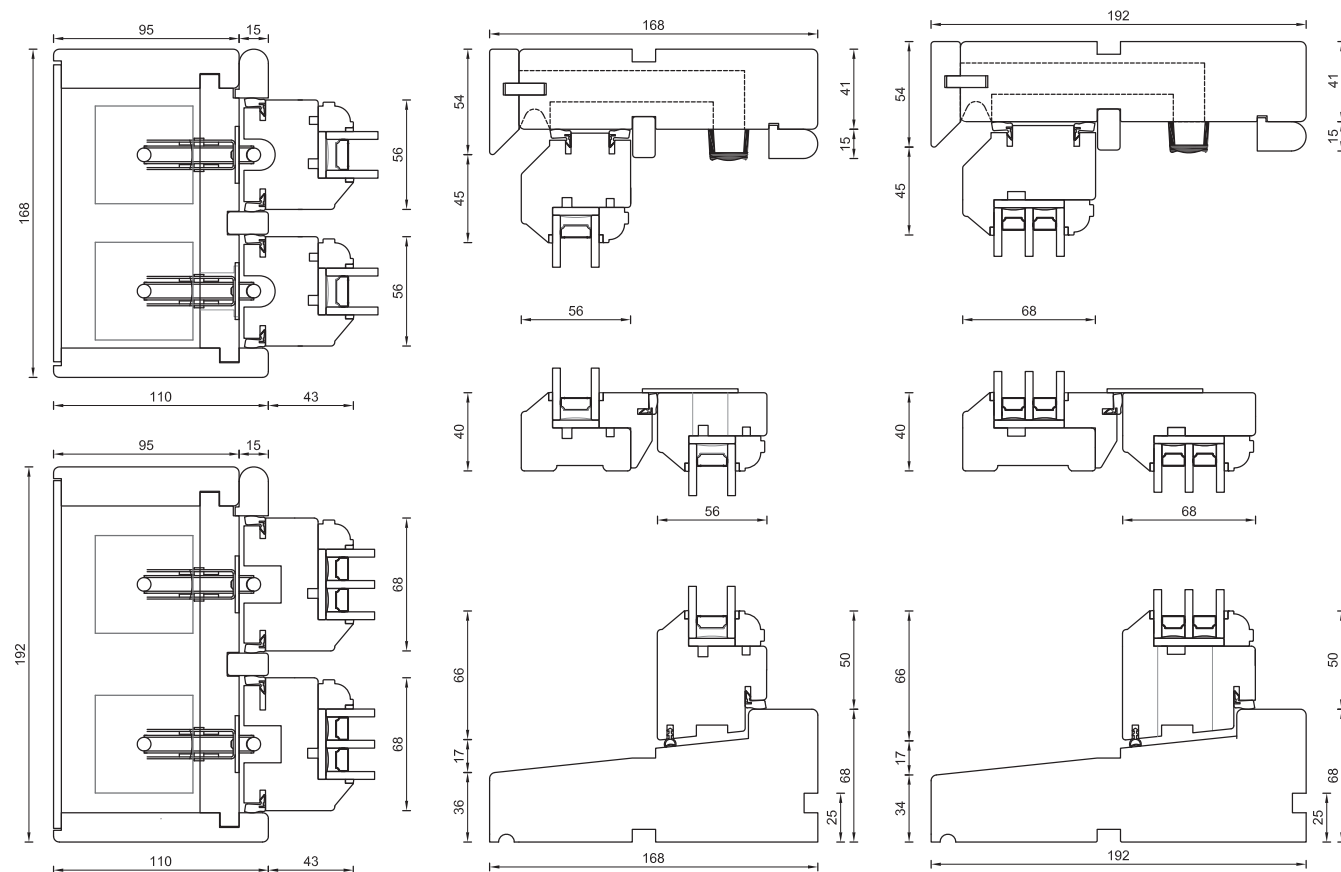


# Traditional Cords & Weights

## Section Details

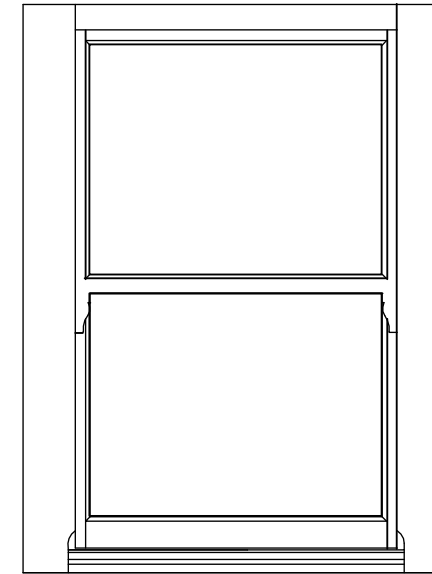


Frame	Double Glazing	Triple Glazing
Head	168mm x 54mm	192mm x 54mm
Jamb	168mm x 110mm	192mm x 110mm
Cill	168mm x 68mm	192mm x 68mm
Top Sash	Double Glazing	Triple Glazing
Top Rail	56mm x 56mm	68mm x 56mm
Stile	56mm x 56mm	68mm x 56mm
Bottom Rail	56mm x 40mm	68mm x 40mm
Bottom Sash	Double Glazing	Triple Glazing
Top Rail	56mm x 40mm	68mm x 40mm
Stile	56mm x 56mm	68mm x 56mm
Bottom Rail	56mm x 66mm	68mm x 66mm
Mullion	168mm x 112mm	192mm x 112mm

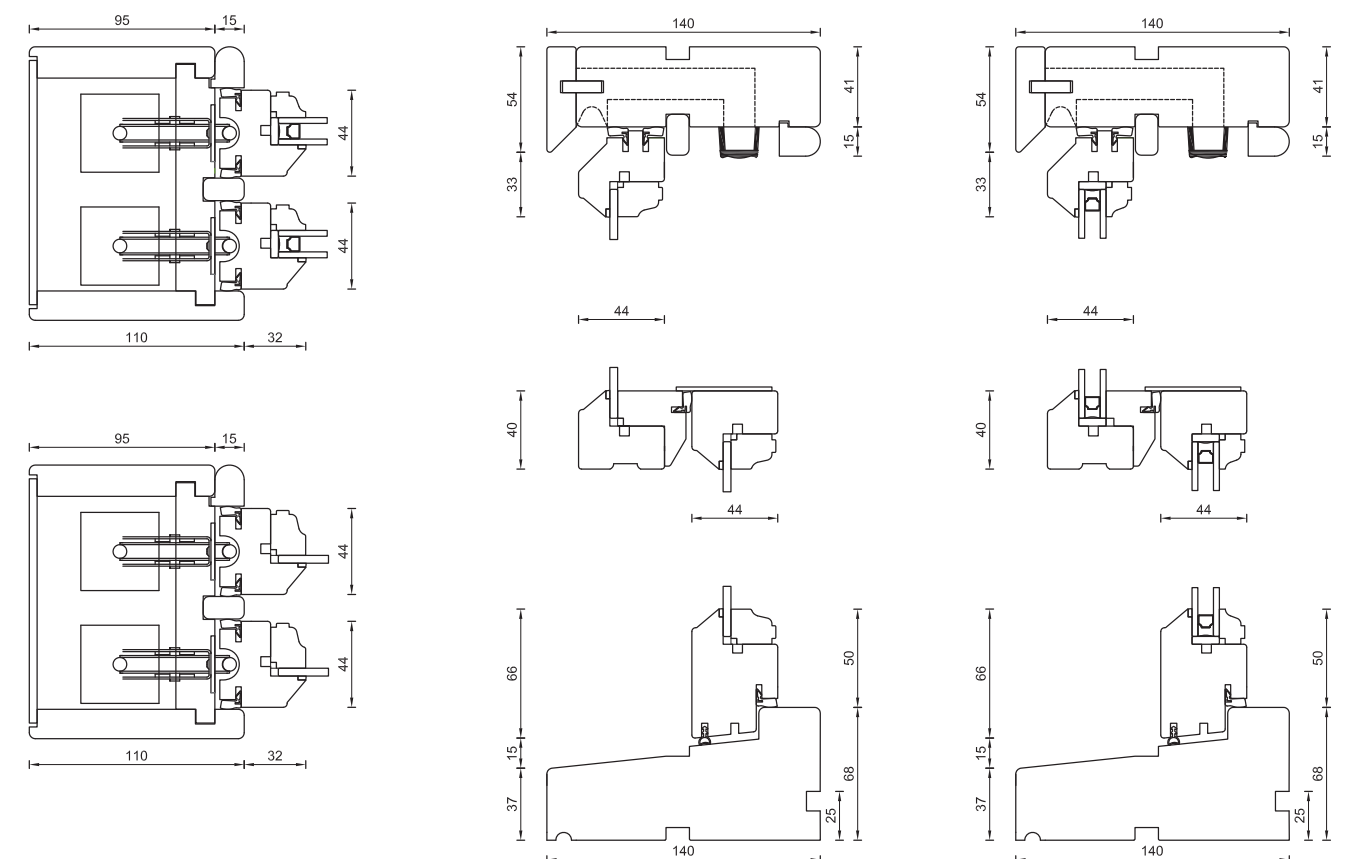


# Heritage Cords & Weights

## Section Details



Frame	Single Glazing	SlimLine Glazing
Head	140mm x 54mm	140mm x 54mm
Jamb	140mm x 110mm	140mm x 110mm
Cill	140mm x 68mm	140mm x 68mm
Top Sash	Single Glazing	SlimLine Glazing
Top Rail	44mm x 44mm	44mm x 44mm
Stile	44mm x 44mm	44mm x 44mm
Bottom Rail	44mm x 40mm	44mm x 40mm
Bottom Sash	Single Glazing	SlimLine Glazing
Top Rail	44mm x 40mm	44mm x 40mm
Stile	44mm x 44mm	44mm x 44mm
Bottom Rail	44mm x 66mm	44mm x 66mm
Mullion	140mm x 112mm	140mm x 112mm



# Casement Windows



## Operation

Window opens outwards in either side hung or top hung. In the lock position the handle points downwards. Turning the handle to 90degrees allows the window to be opened. Night vent position is available on Traditional only.

## Mechanism

Handle operates an espagnolette locking mechanism. Adjustable locking points on handle side and on top and bottom. Handles are fitted centrally in sash with optional low level positions.

## Minimum & Maximum Sizes and a guide to fire escape.

	Single Side Hung Sash	Pair Sashes with flying mullion side hung	Top Hung	Combination	Fixed Light
Max Sash Weight	50kg	50kg	50kg		
Min Width	300mm	828mm	400mm	700mm	300mm
Max Width	1100mm	2200mm	1400mm	2500mm	2500mm
Min Height	330mm	300mm	310mm	300mm	300mm
Max Height	1800mm	1800mm	1300mm	2500mm	2500mm

## Fire Escape

Min Width	615mm	826mm	562mm
Min Height	850mm	850mm	810mm
Min m <sup>2</sup>	0.33 m <sup>2</sup>	0.33 m <sup>2</sup>	0.33 m <sup>2</sup>

## Weatherstrips

### Contemporary Lipped Casement

Name	Location	Colours
Schlegel foam-filled Q-Lon 3053	fitted to parameter of sash	White, Black, Brown
Deventer DX1362	fitted to flying mullion	White, Black, Brown

### Traditional Lipped Casement

Name	Location	Colours
Schlegel foam-filled Q-Lon 3056	fitted to all sides of frame rebate	White, Black, Brown
Deventer Rubber Seal SV180	fitted to top and side of sash	White, Black, Brown
Schlegel Q-Lon MIS9185	fitted to flying mullion	White, Black, Brown

### Traditional & Heritage Flush Casement

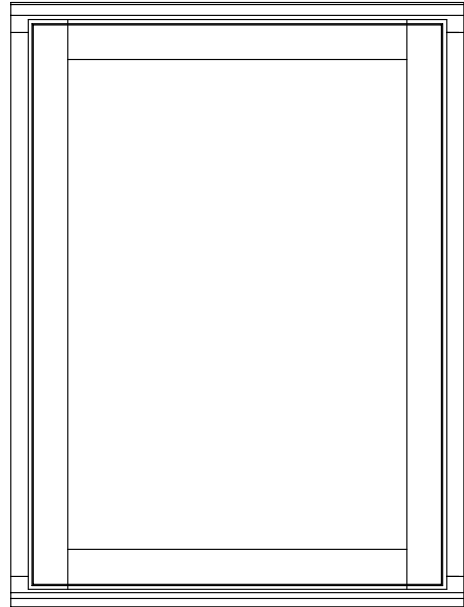
Name	Location	Colours
Schlegel foam-filled Q-Lon 3056	fitted to all sides of frame rebate	White, Black, Brown
Schlegel Q-Lon MIS9185	fitted to flying mullion	White, Black, Brown

## Vents

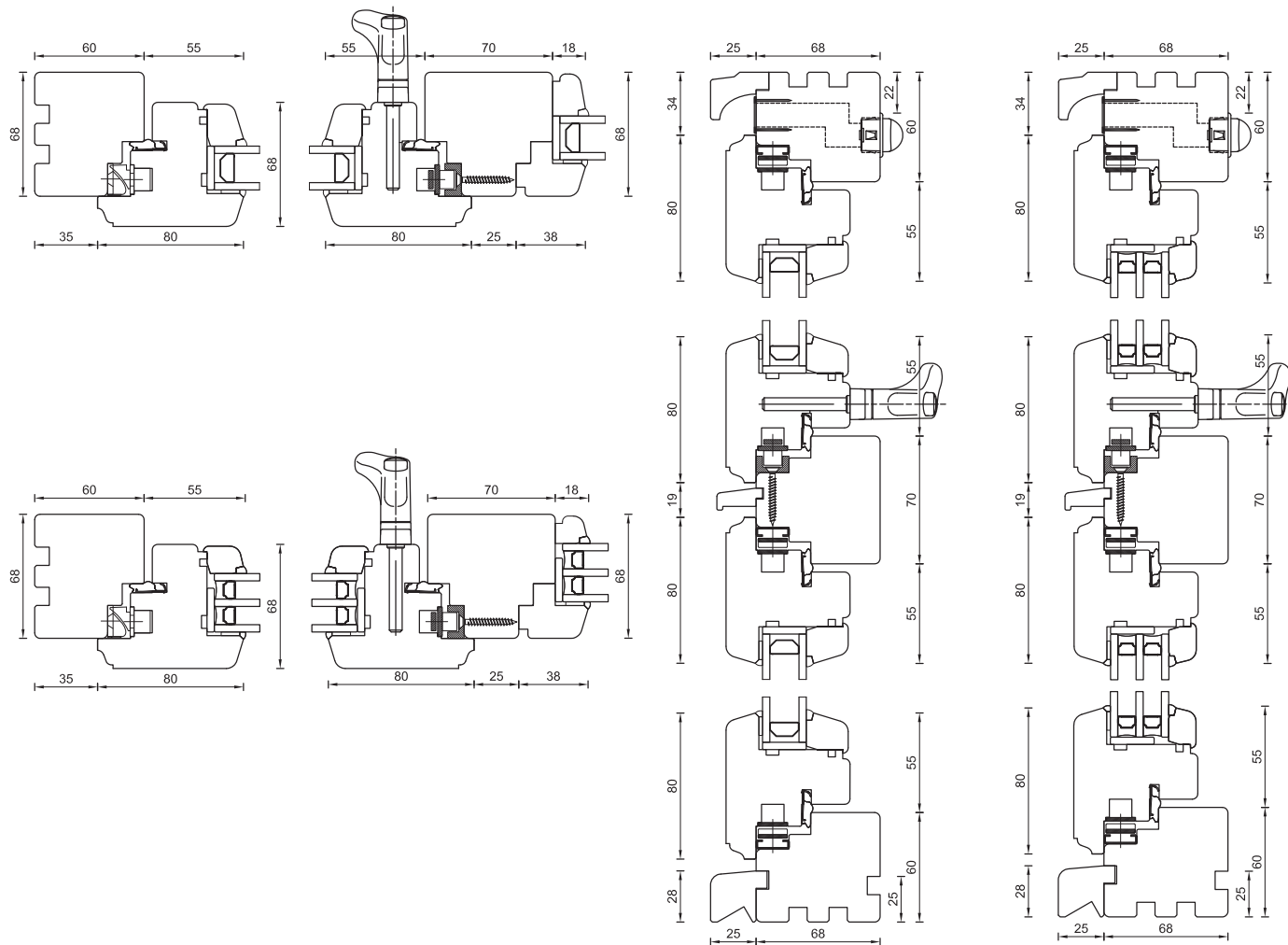
Name	Location	Colours	EA Rating	Acoustic Rating D <sub>n,e,w</sub> (+/-)
Trimvent Select R13	Frame Head Concealed	Brown, White	3400 EA	Open 31 (-1;-1), Closed 43 (-1;-2)
TV SW 380 Flat Grill		Brown, White, Silver, Black		
Trimvent Select S13	Frame Head Concealed	Brown, White	1700 EA	Open 32 (0;1), Closed 41 (0;-1)
TV SW 288 Flat Grill		Brown, White, Silver, Black		
Trimvent Select R13	Cheeks at Frame Head	Brown, White	3400 EA	Open 31 (-1;-1), Closed 43 (-1;-2)
Trimvent Select C13 (412)		Brown, White		
Trimvent Select S13	Cheeks at Frame Head	Brown, White	1700 EA	Open 32 (0;1), Closed 41 (0;-1)
Trimvent Select C13 (267)		Brown, White		
Trimvent 90 Hi Lift (425)	Frame Head	Silver	4300 EA	Open 31 (0;1), Closed 42 (-1;-2)
TV SW 288 Flat Grill		Brown, White, Black		
Trimvent 90 Hi Lift (300)	Frame Head	Silver, Black	2500 EA	Open 31 (0;1), Closed 42 (-1;-2)
TV SW 288 Flat Grill		Silver, Black		
Trimvent 90 Hi Lift (425)	Cheeks at Frame Head	Silver, Black	4300 EA	Open 31 (0;0), Closed 42 (-1;-2)
HF 441 Canopy		Silver, Black		
Trimvent 90 Hi Lift (300)	Cheeks at Frame Head	Silver, Black	2500 EA	Open 31 (0;1), Closed 42 (-1;-2)
HF 303 Canopy		Silver, Black		
Trimvent XS16	Frame Head	Brown, White	4600 EA	
TV SW 380 Flat Grill		Brown, White, Silver, Black		

# Contemporary Lipped Casement

## Section Details

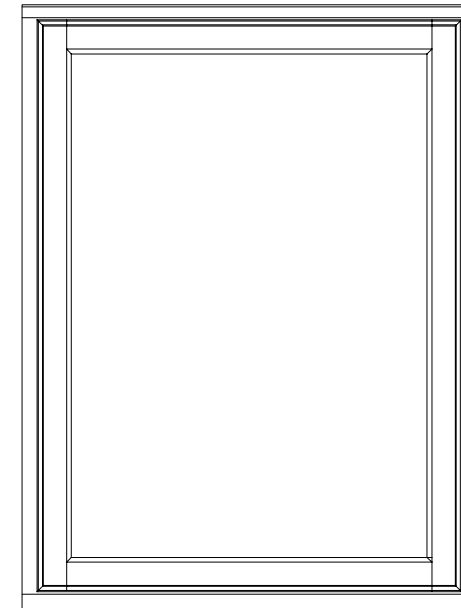


Frame	Double Glazing	Triple Glazing
Head	68mm x 60mm	68mm x 60mm
Head with vent	68mm x 60mm	68mm x 60mm
Jamb	68mm x 60mm	68mm x 60mm
<b>Sash</b>	<b>Double Glazing</b>	<b>Triple Glazing</b>
Top Rail	68mm x 80mm	68mm x 80mm
Stile	68mm x 80mm	68mm x 80mm
Bottom Rail	68mm x 80mm	68mm x 80mm
<b>Mullion</b>	68mm x 70mm	68mm x 70mm
<b>Transom</b>	68mm x 70mm	68mm x 70mm

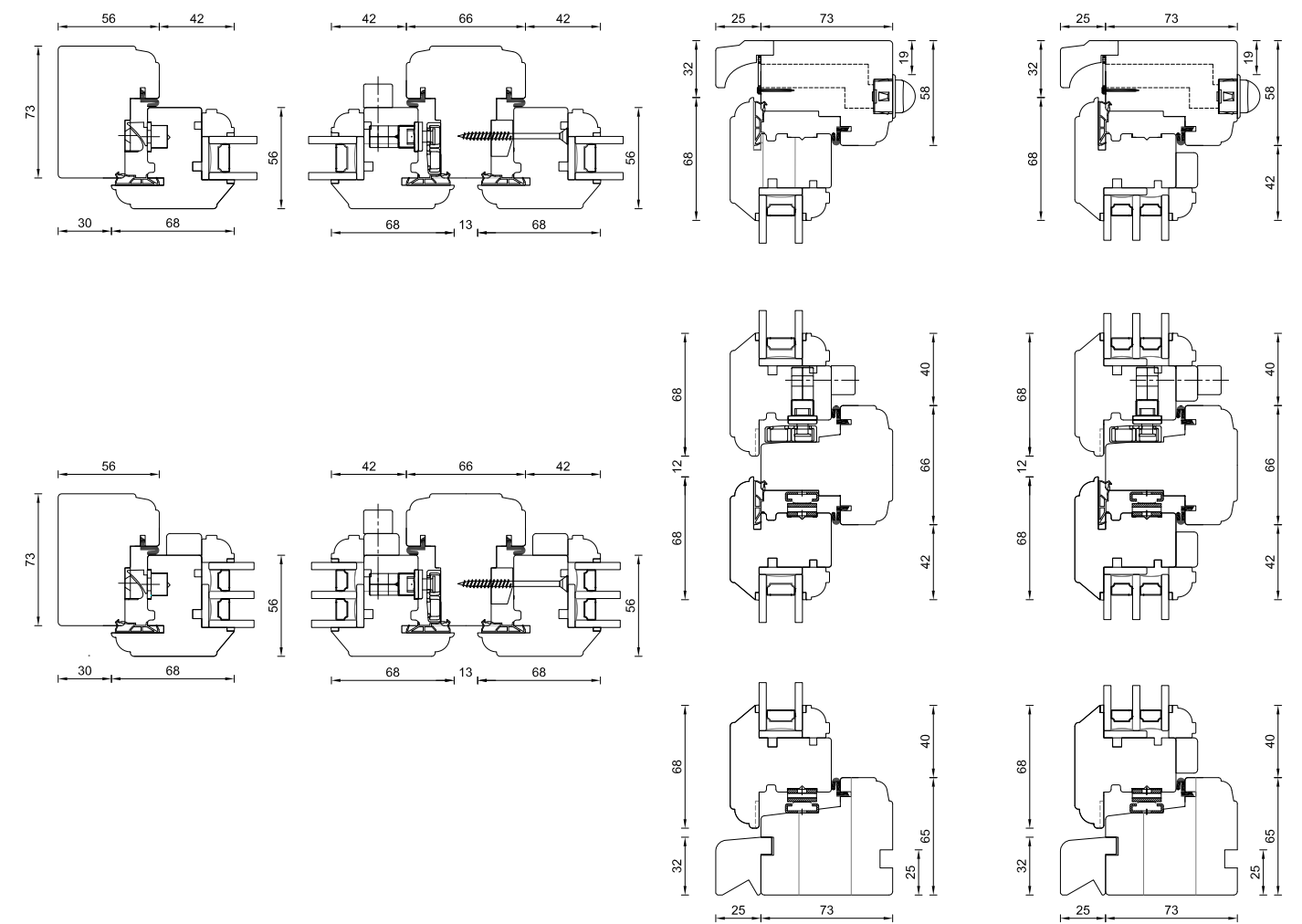


# Traditional Lipped Casement

## Section Details

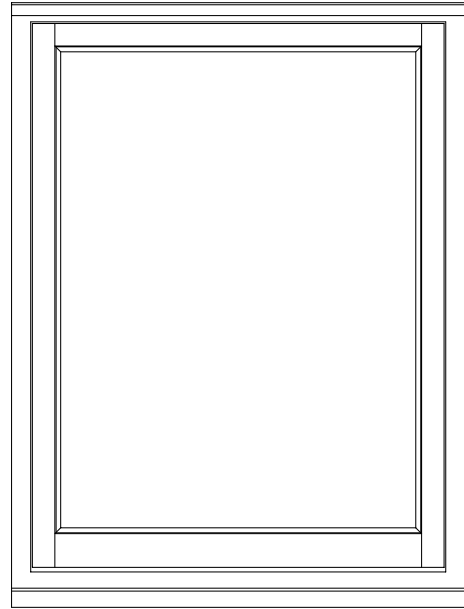


Frame	Double Glazing	Triple Glazing
Head	73mm x 58mm	73mm x 58mm
Head with vent	73mm x 58mm	73mm x 58mm
Jamb	73mm x 56mm	73mm x 56mm
Cill	73mm x 65mm	73mm x 65mm
Cill with Subcill	73mm x 56mm	73mm x 56mm
<b>Sash</b>		
Top Rail	56mm x 68mm	68mm x 68mm
Stile	56mm x 68mm	68mm x 68mm
Bottom Rail	56mm x 68mm	68mm x 68mm
Bottom Rail over transom	56mm x 68mm	68mm x 68mm
Flying Mullion	73mm x 66mm	73mm x 66mm
<b>Mullion</b>	73mm x 66mm	73mm x 66mm
<b>Transom</b>	73mm x 66mm	73mm x 66mm

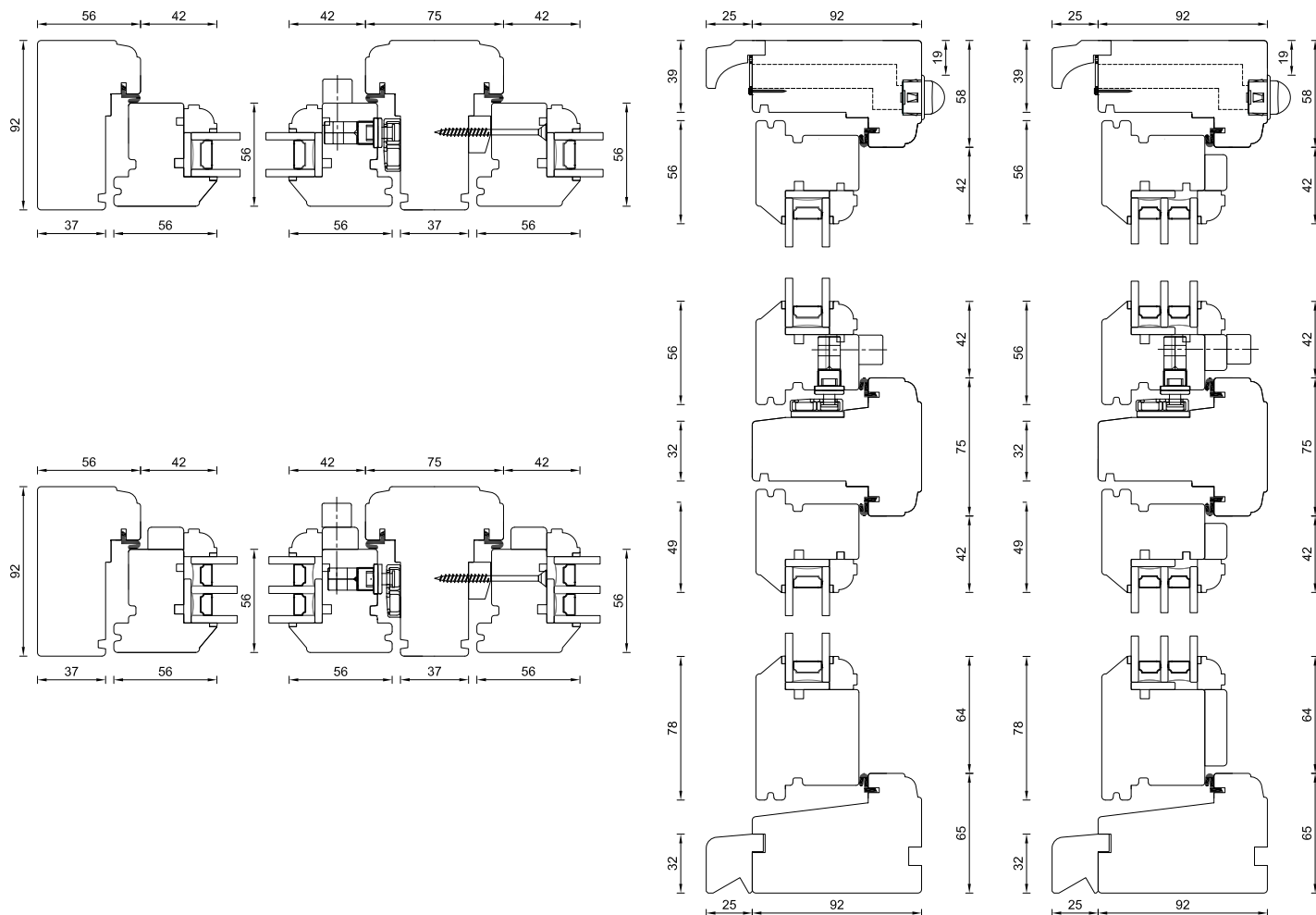


# Traditional Flush Casement

## Section Details

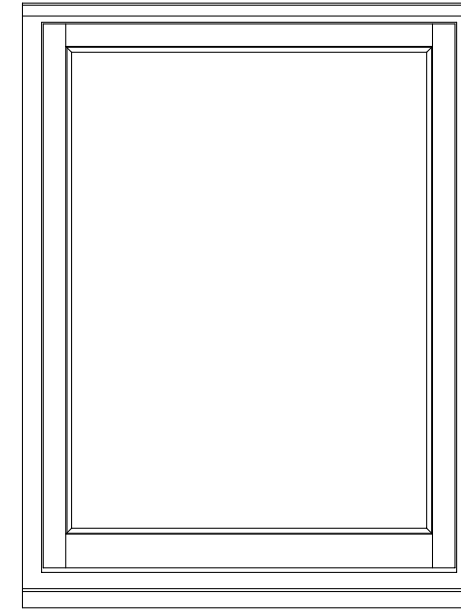


Frame	Double Glazing	Triple Glazing
Head	92mm x 58mm	92mm x 58mm
Head with vent	92mm x 58mm	92mm x 58mm
Jamb	92mm x 56mm	92mm x 56mm
Cill	92mm x 65mm	92mm x 65mm
Cill with Subcill	92mm x 56mm	92mm x 56mm
Sash	Double Glazing	Triple Glazing
Top Rail	56mm x 56mm	68mm x 56mm
Stile	56mm x 56mm	68mm x 56mm
Bottom Rail	56mm x 78mm	68mm x 78mm
Bottom Rail over transom	56mm x 56mm	68mm x 56mm
Flying Mullion	81mm x 54mm	81mm x 54mm
Mullion	92mm x 75mm	92mm x 75mm
Transom	92mm x 75mm	92mm x 75mm

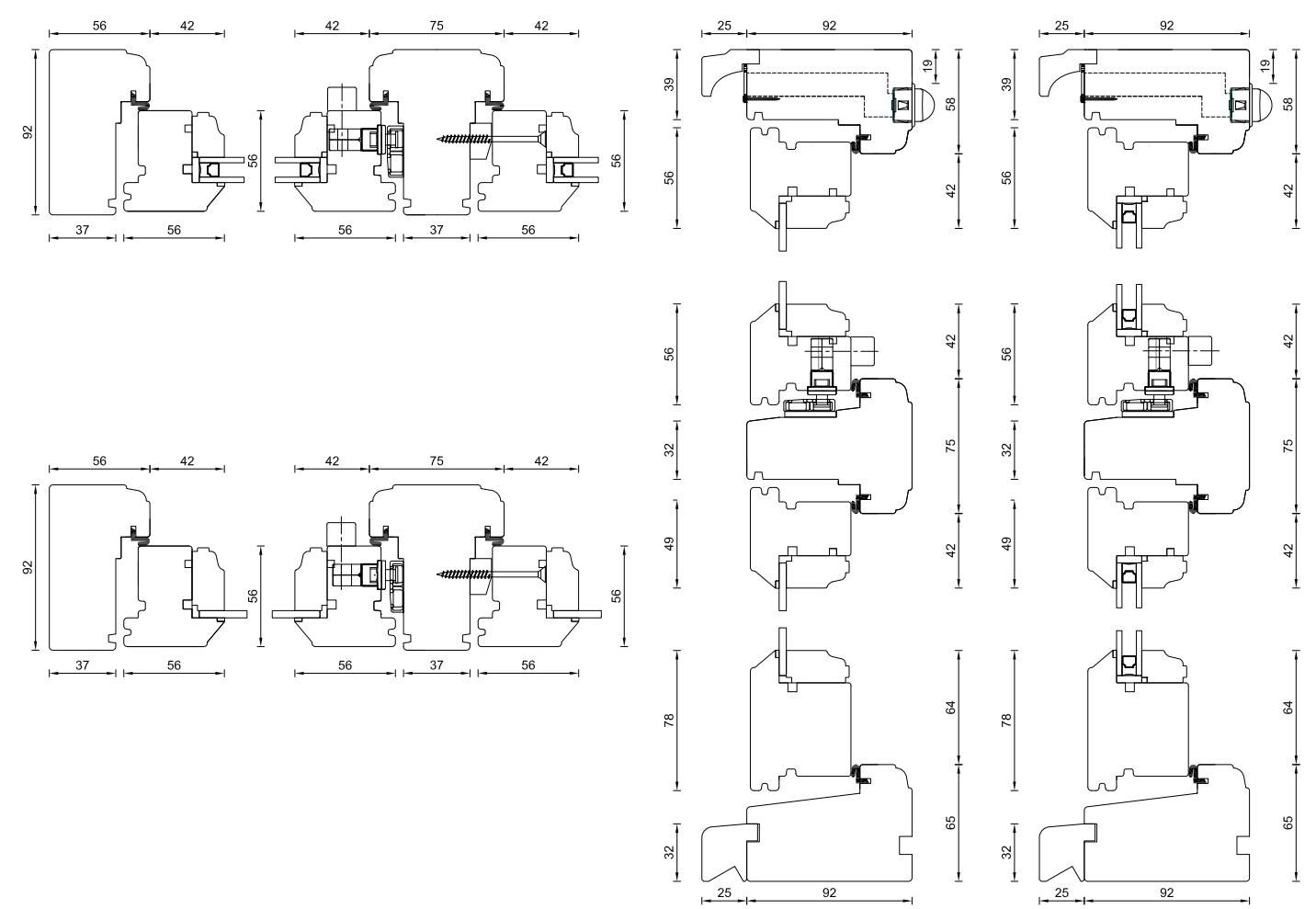


# Heritage Flush Casement

## Section Details

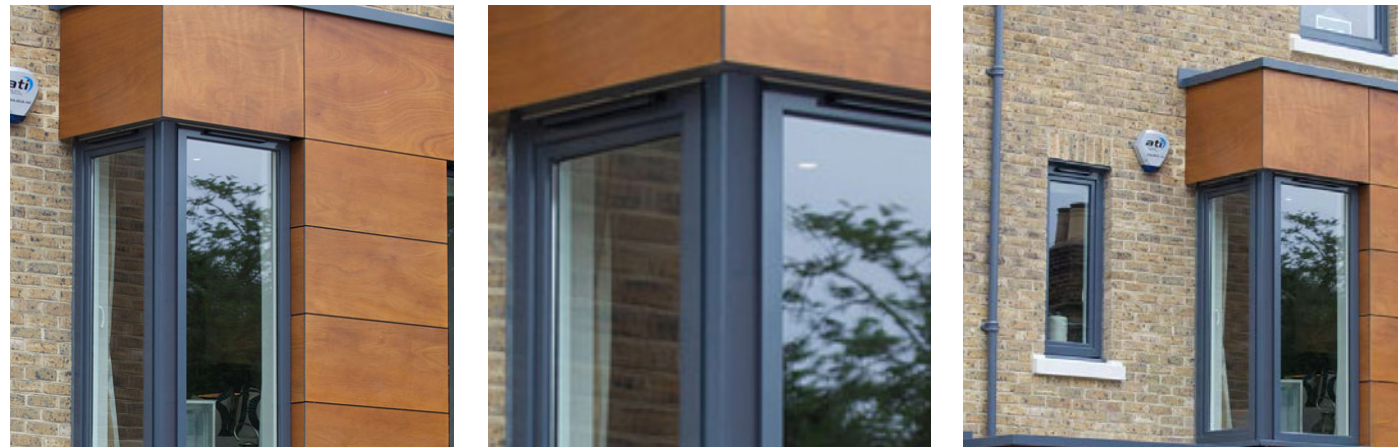


Frame	Single / SlimLine Glazing
Head	92mm x 58mm
Head with vent	92mm x 58mm
Jamb	92mm x 56mm
Cill	92mm x 65mm
Cill with Subcill	92mm x 56mm
Sash	Single / SlimLine Glazing
Top Rail	56mm x 56mm
Stile	56mm x 56mm
Bottom Rail	56mm x 78mm
Bottom Rail over transom	56mm x 56mm
Flying Mullion	81mm x 54mm
Mullion	92mm x 75mm
Transom	92mm x 75mm





# Tilt & Turn Windows



## Operation

Window opens into the room.  
 In locked position the handle points downwards.  
 Turning the handle 90 degrees opens the sash fully.  
 Turning the handle another 90 degrees tilts the sash.  
 Security device ensures that sash can only be brought into tilt position when pushed against the frame.

## Mechanism

Handle operated espagnolette locking mechanism.  
 Adjustable locking points on the handle side / top and bottom. (Quantity depending on size of the sash)  
 Handles are fitted centrally on sash stile with optional low level positions. Tilt only windows have a handle positioned centrally on top rail and can be positioned centrally on sash stile only if specified.

## Minimum & Maximum Sizes and a guide to fire escape.

	Single Side Hung Sash	Pair Sashes with flying mullion side hung	Combination Frames	Fixed Light
Max Sash Weight	130kg	130kg		
Min Width	480mm	1182mm	700mm	300mm
Max Width	1590mm	3120mm	2500mm	2500mm
Min Height	635mm	725mm	635mm	300mm
Max Height	2451mm	2451mm	2500mm	2500mm

## Fire Escape

Min Width	635mm	900mm
Min Height	926mm	926mm
Min m <sup>2</sup>	0.33 m <sup>2</sup>	0.33 m <sup>2</sup>

## Weatherstrips

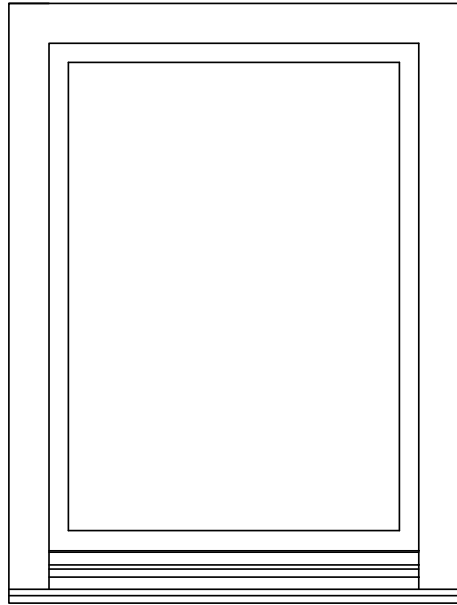
Name	Location	Colours
Deventer Rubber Seal S7503	2 weatherstrips fitted to full parameter of sash.	White, Black, Brown
Deventer S6600	fitted to flying mullion	White, Black, Brown

## Vents

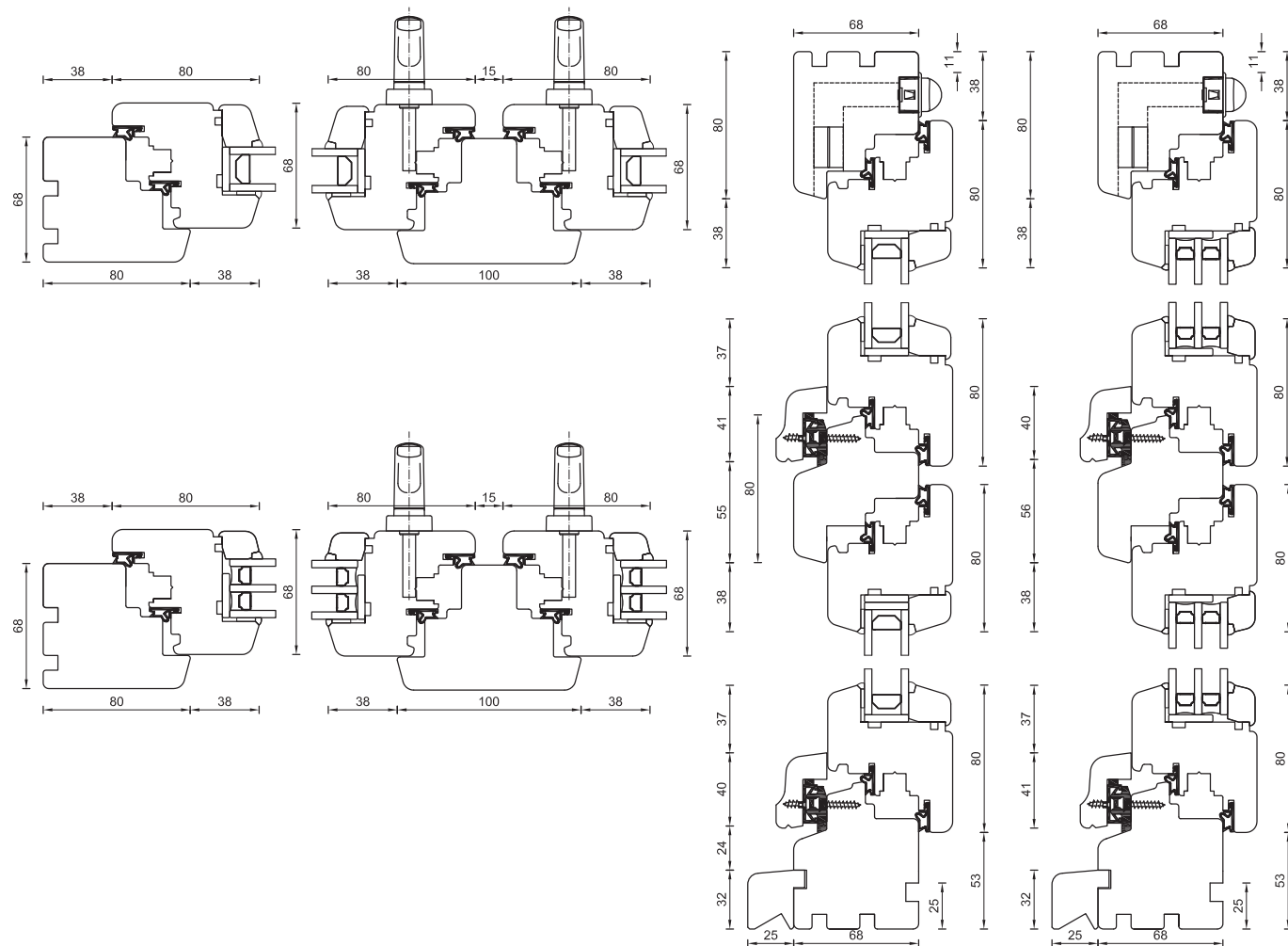
Name	Location	Colours	EA Rating	Acoustic Rating D n,e,w (+/-)
Trimvent Select R13	Frame Head Concealed	Brown, White	3400 EA	Open 31 (-1;-1), Closed 43 (-1;-2)
TV SW 380 Flat Grill		Brown, White, Silver, Black		
Trimvent Select R13	Frame Head	Brown, White	3400 EA	Open 31 (-1;-1), Closed 43 (-1;-2)
Trimvent Select C13 (412)		Brown, White		
Trimvent Select S13	Frame Head Concealed	Brown, White	1700 EA	Open 32 (0;1), Closed 41 (0;-1)
TV SW 288 Flat Grill		Brown, White, Silver, Black		
Trimvent Select S13	Frame Head	Brown, White	1700 EA	Open 32 (0;1), Closed 41 (0;-1)
Trimvent Select C13 (267)		Brown, White		
Trimvent 90 Hi Lift (425)	Frame Head Concealed	Silver	4300 EA	Open 31 (0;1), Closed 42 (-1;-2)
TV SW 380 Flat Grill		Brown, White		
Trimvent 90 Hi Lift (425)	Frame Head	Silver, Black	4300 EA	Open 31 (0;1), Closed 42 (-1;-2)
HF 441 Canopy		Brown, White, Silver, Black		
Trimvent 90 Hi Lift (300)	Frame Head Concealed	Silver	2500 EA	Open 31 (0;0), Closed 42 (-1;-2)
TV SW 288 Flat Grill		Brown, White		
Trimvent 90 Hi Lift (300)	Frame Head	Silver	2500 EA	Open 31 (0;1), Closed 42 (-1;-2)
HF 303 Canopy		Silver, Black		

# Contemporary Tilt & Turn

## Section Details

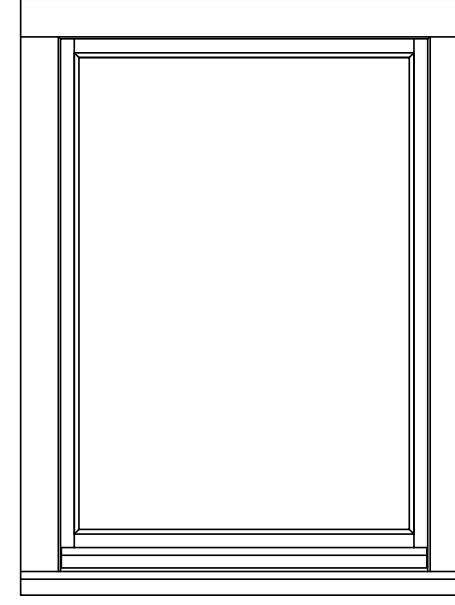


Frame	
Head	68mm x 80mm
Jamb	68mm x 80mm
Cill	68mm x 80mm
Sash	
Top Rail	68mm x 80mm
Stile	68mm x 80mm
Bottom Rail	68mm x 80mm
Bottom rail over transom	68mm x 80mm
Flying Mullion	68mm x 80mm
Mullion	
	68mm x 100mm
Transom	
	68mm x 82, 90, 100, 120mm

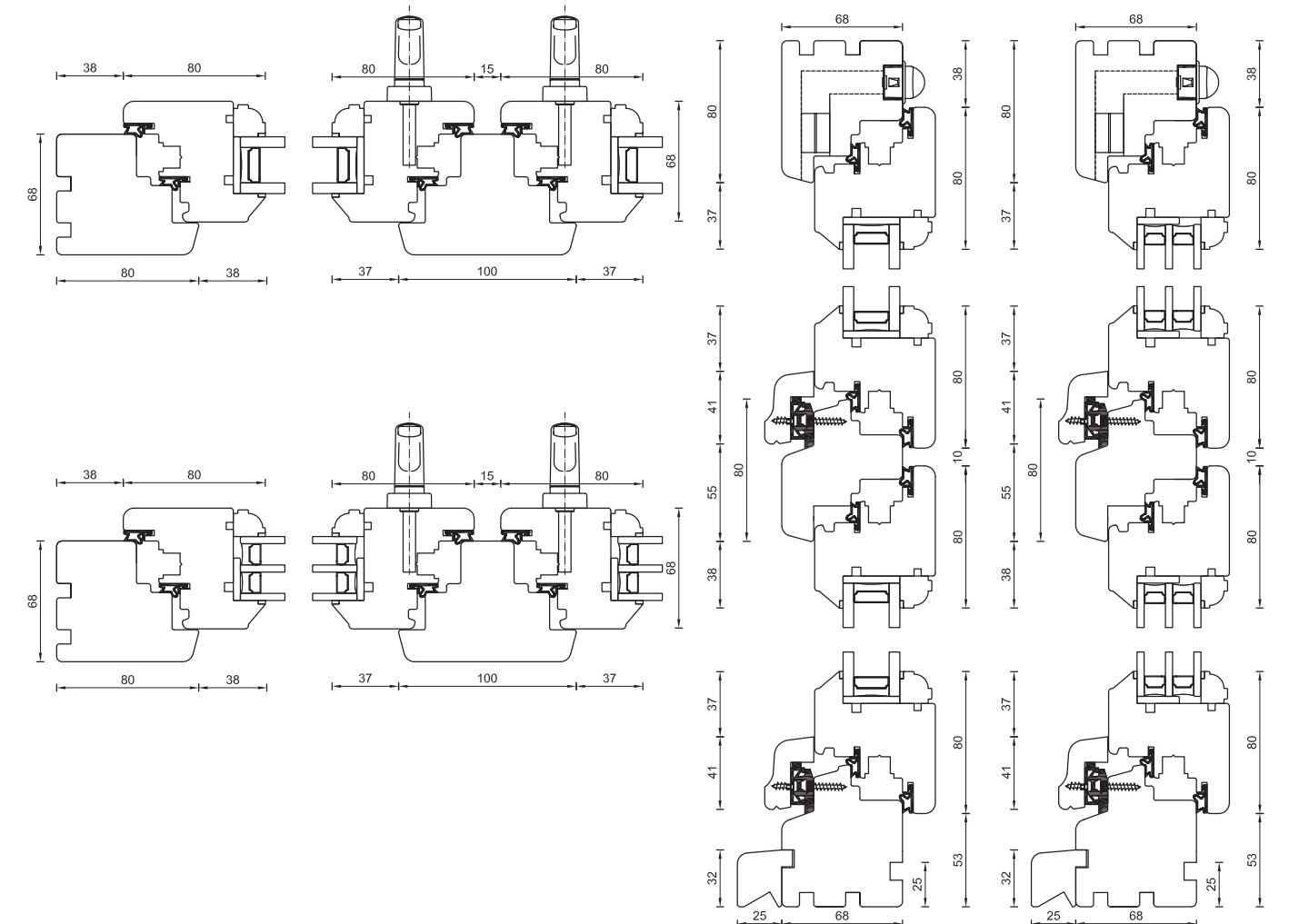


# Traditional Tilt & Turn

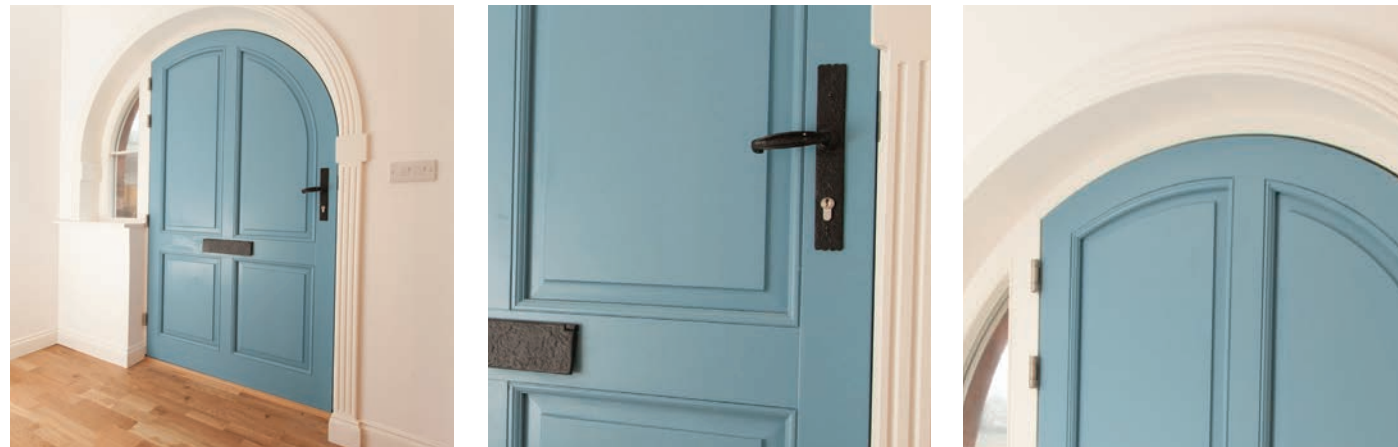
## Section Details



Frame	
Head	68mm x 80mm
Jamb	68mm x 80mm
Cill	68mm x 80mm
Sash	
Top Rail	68mm x 80mm
Stile	68mm x 80mm
Bottom Rail	68mm x 80mm
Bottom rail over transom	68mm x 80mm
Flying Mullion	68mm x 80mm
Mullion	
	68mm x 100mm
Transom	
	68mm x 82, 90, 100, 120mm



# Entrance Doors



## Operation & Mechanism

### 1. Handle Operated

To lock the door the handle is lifted so the espag hooks engage with the keeper. The cylinder is then locked with a key which engages the third locking point.

### 2. Key Operated

The latch is operated with the key therefore it is always locked when closed. To fully lock the door, the key needs to be turned 720 degrees to fully engage the 3 locking points.

### 3. Handle & Key Operated

The latch is operated by the handle. To fully lock the door, the key needs to be turned 720 degrees to fully engage the 3 locking points.

## Minimum & maximum sizes and a guide to mobility.

	Flush Doors	Pair Flush Doors	Sidelights	Fanlights
Max Weight	100kg	100kg per leaf		
Min Width	531mm	973mm	400mm	430mm
Max Width	1200mm	2100mm	1500mm	2500mm
Min Height	1627mm	1962mm	1600mm	370mm
Max Height	2500mm	2500mm	2500mm	1000mm

## Mobility

Min Width	957mm	1007mm (double handle) 1831mm (single handle)		
Min Clear Opening	775mm	775mm		

## Weatherstrips

Name	Location	Colours
Schlegel foam-filled Q-Lon 3073	fitted to parameter of door leaf.	White, Black, Brown
Schlegel foam-filled Q-Lon 3073	fitted to top and sides of frame.	White, Black, Brown
Deventer DX1362	fitted to flying mullion	White, Black, Brown

## Thresholds

### Open in flush

Option	Description	Aluminium Colour
Standard Thresh	Aluminium + Hardwood 140mm x 43mm	Silver
Site-Coupling Thresh	Aluminium + Hardwood 92mm x 40mm	Silver
Mobility Thresh	Aluminium	Silver

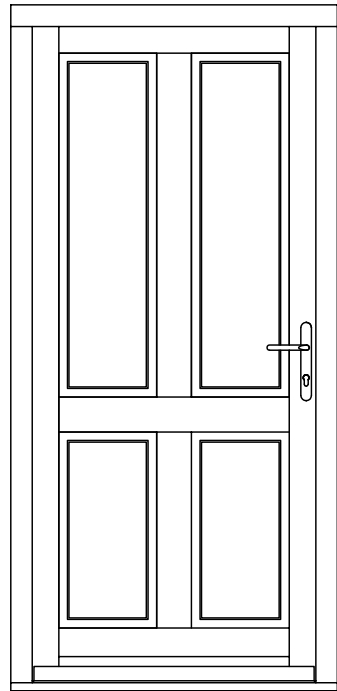
### Open out flush

Option	Description	Aluminium Colour
Standard Thresh	Hardwood 140mm x 43mm	n /a
Site-Coupling Thresh	Hardwood 92mm x 43mm	n /a
Mobility Thresh	Aluminium	Silver

\* hardwood thresh will be stained walnut unless otherwise specified

# Contemporary Entrance Door

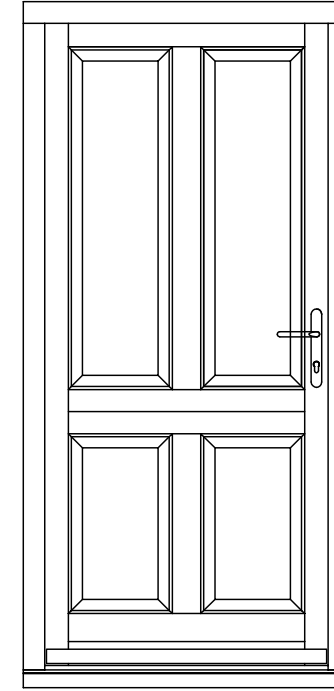
## Section Details



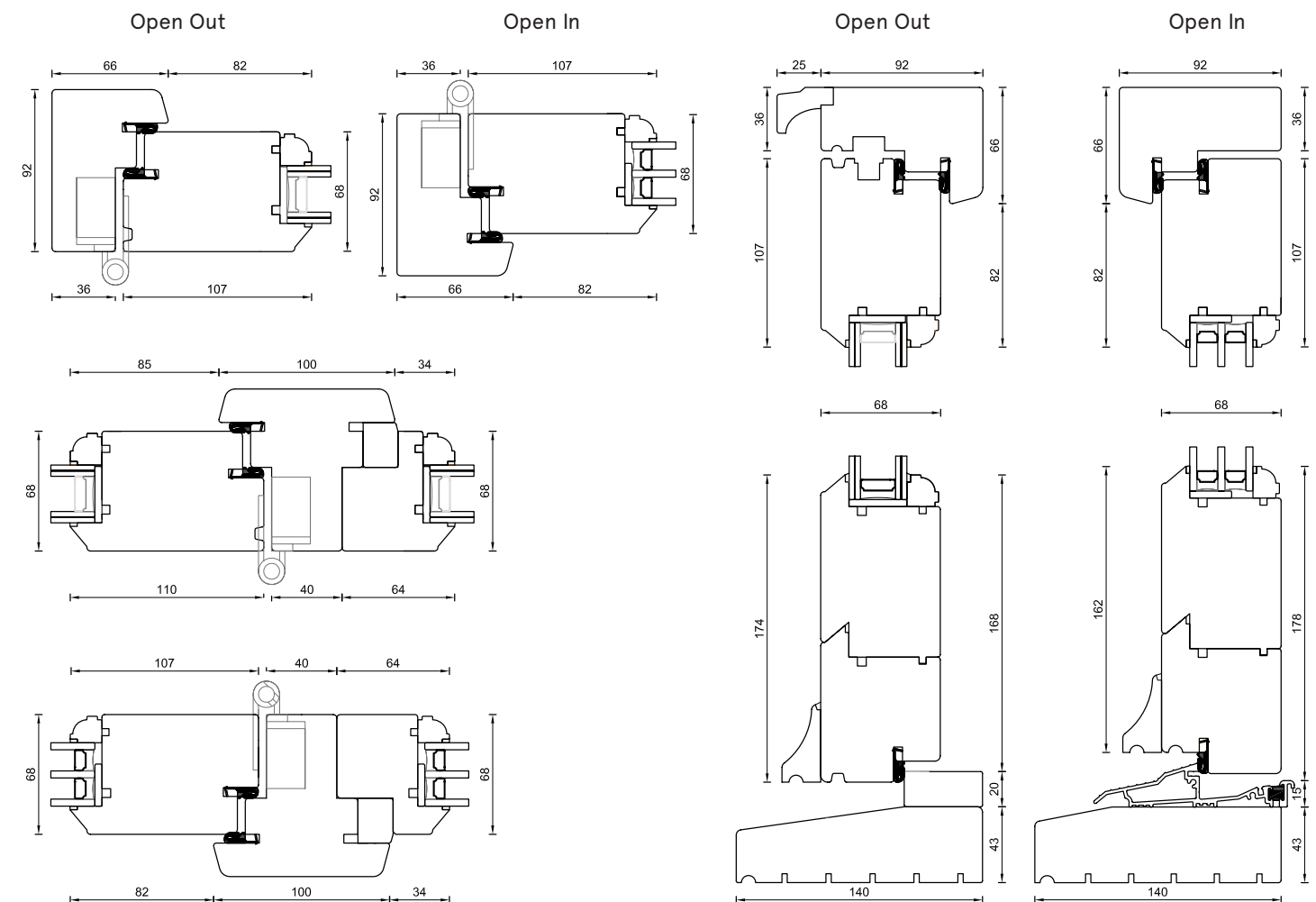
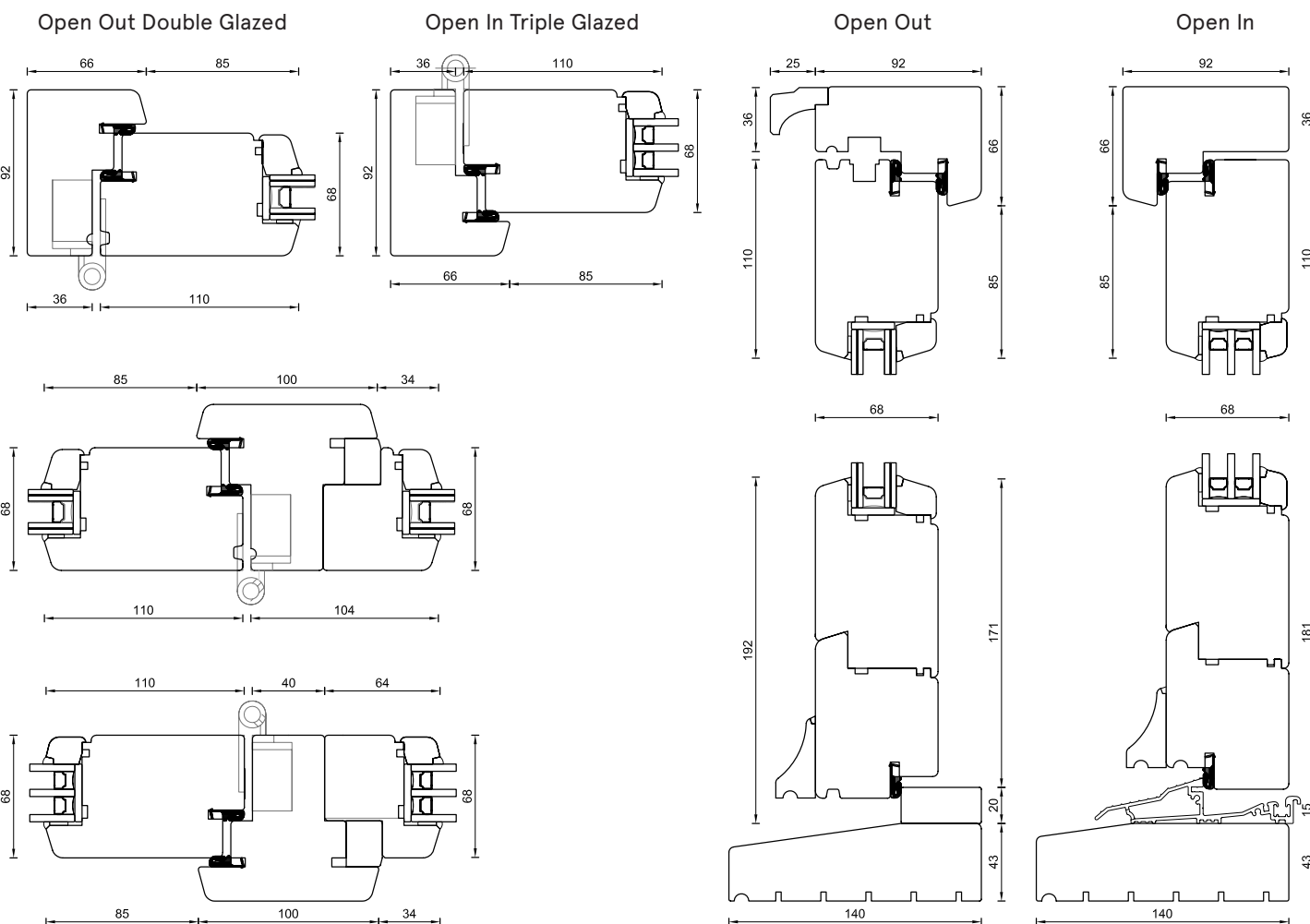
Frame	
Head	92mm x 66mm
Jamb	92mm x 66mm
Leaf	
Top Rail	68mm x 110mm
Stile	68mm x 110mm
Bottom Rail	68mm x 177mm
Mid Rail	68mm x 110mm
Vert Rail	68mm x 110mm
Mullion	
	92mm x 99mm
Transom	
	92mm x 85mm

# Traditional Entrance Door

## Section Details

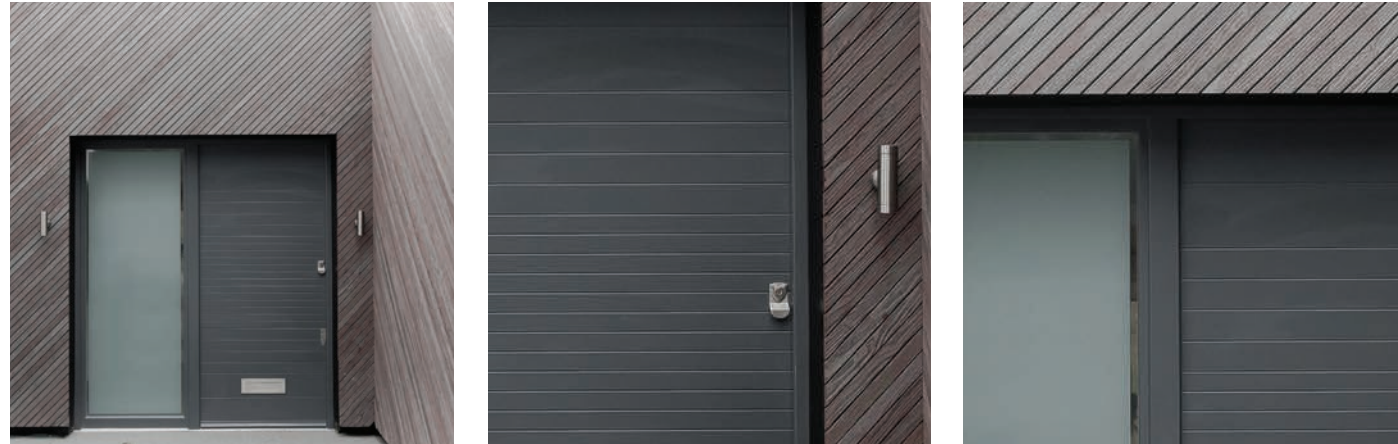


Frame	
Head	92mm x 66mm
Jamb	92mm x 66mm
Leaf	
Top Rail	68mm x 107mm
Stile	68mm x 107mm
Bottom Rail	68mm x 174mm
Mid Rail	68mm x 154mm (107mm)
Vert Rail	68mm x 107mm
Mullion	
	92mm x 99mm
Transom	
	92mm x 85mm





# Creative Entrance Doors



## Operation & Mechanism

### 1. Handle Operated

To lock the door the handle is lifted so the espag hooks engage with the keeper. The cylinder is then locked with a key which engages the third locking point.

### 2. Key Operated

The latch is operated with the key therefore it is always locked when closed. To fully lock the door, the key needs to be turned 720 degrees to fully engage the 3 locking points.

### 3. Handle & Key Operated

The latch is operated by the handle. To fully lock the door, the key needs to be turned 720 degrees to fully engage the 3 locking points.

## Minimum & Maximum Sizes and a guide to mobility.

	Flush Doors	Pair Flush Doors	Sidelights	Fanlights
Max Weight	100kg	100kg per leaf		
Min Width	931mm	1800mm	400mm	430mm
Max Width	1200mm	2100mm	1500mm	2500mm
Min Height	1627mm	1962mm	1600mm	370mm
Max Height	2567mm	2567mm	2500mm	1000mm

## Mobility

Min Width	957mm	1007mm - Double Handle 1831mm - Single Handle
Min Clear Opening	775mm	775mm

## Weatherstrips

Name	Location	Colours
Schlegel foam-filled Q-Lon 3073	fitted to parameter of door leaf.	White, Black, Brown
Schlegel foam-filled Q-Lon 3073	fitted to top and sides of frame.	White, Black, Brown
Deventer DX1362	fitted to flying mullion	White, Black, Brown

## Thresholds

### Open in flush

Option	Description	Aluminium Colour
Standard Thresh	Aluminium + Hardwood 140mm x 43mm	Silver
Site-Coupling Thresh	Aluminium + Hardwood 92mm x 40mm	Silver
Mobility Thresh	Aluminium	Silver

### Open out flush

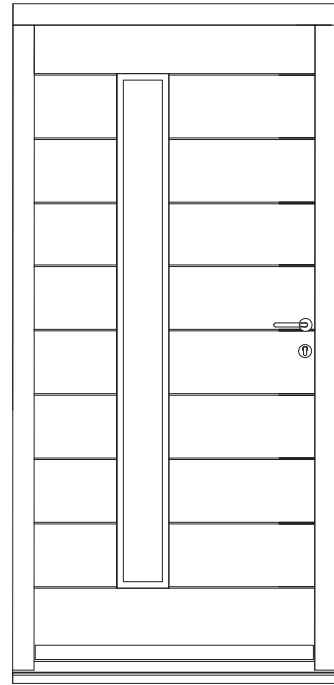
Option	Description	Aluminium Colour
Standard Thresh	Hardwood 140mm x 43mm	n /a
Site-Coupling Thresh	Hardwood 92mm x 43mm	n /a
Mobility Thresh	Aluminium	Silver

\* hardwood thresh will be stained walnut unless otherwise specified



# Creative Entrance Doors

## Section Details



**Frame**

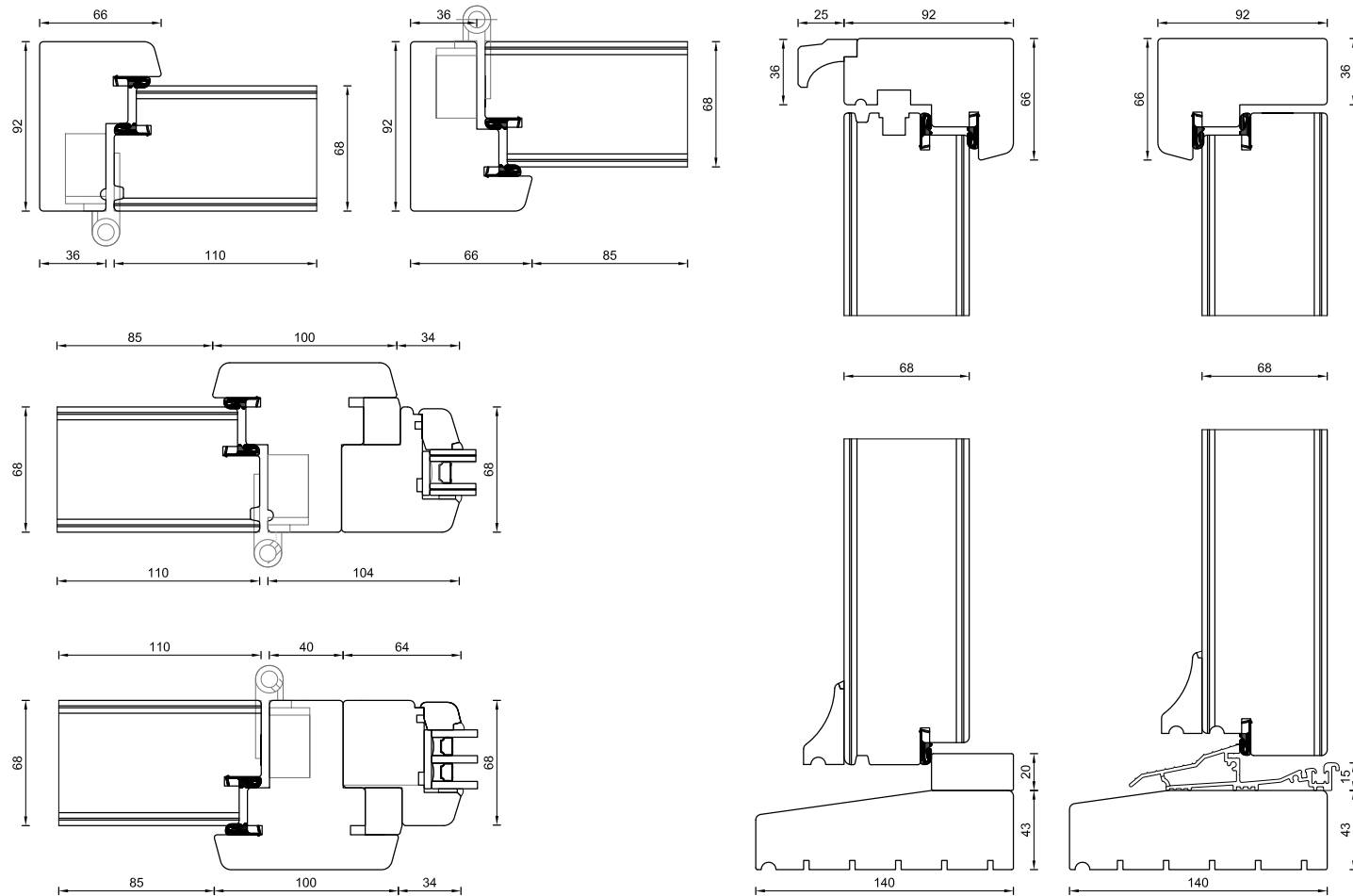
Head 92mm x 66mm

Jamb 92mm x 66mm

**Mullion** 92mm x 99mm

**Transom** 92mm x 85mm

Creative Entrance Doors have a 68mm Composite Leaf





# French Doors



## Operation & Mechanism

To lock the door the handle is lifted so the espag hooks engage with the keeper. The cylinder is then locked with a key which engages the third locking point.

## Minimum & Maximum Sizes

Lipped French Doors	Pair Doors Single Handle	Pair Doors Double Handle	Sidelights	Fanlights
Max Weight	100kg per leaf	100kg per leaf		
Min Width	1027mm	1067mm	350mm	565mm
Max Width	2179mm	2179mm	1500mm	2130mm
Min Height	1875mm	1965mm	1600mm	300mm
Max Height	2500mm	2500mm	2500mm	1000mm

Flush French Doors	Pair Doors Double Handle	Sidelights	Fanlights
Max Weight	100kg per leaf		
Min Width	973mm	400mm	430mm
Max Width	2073mm	150mm	250mm
Min Height	1962mm	1600mm	370mm
Max Height	2500mm	2500mm	1000mm

Mobility	Min Width	Min Clear Opening
Pair Doors Single Handle Lipped	1027mm	775mm
Pair Doors Double Handle Lipped	1061mm	775mm
Pair Doors Single Handle Flush	1007mm	775mm

## Weatherstrips

### Lipped French Doors

Name	Location	Colours
Deventer Rubber Seal S7503	2 weatherstrips fitted to full parameter of door.	White, Black, Brown
Deventer DX1362	fitted to flying mullion	White, Black, Brown

### Flush French Doors

Name	Location	Colours
Schlegel foam-filled Q-Lon 3073	fitted to parameter of door leaf.	White, Black, Brown
Deventer DX1362	fitted to flying mullion	White, Black, Brown

## Vents

### All french doors

Name	Location	Colours	EA Rating	Acoustic Rating D n,e,w (+/-)
Trimvent Select R13	Top rail leaf / top rail sidelight	Brown / White	3400 EA	Open 31 (-1;-1), Closed 43 (-1;-2)
Trimvent Select C13 (412)		Brown / White		

Name	Location	Colours	EA Rating	Acoustic Rating D n,e,w (+/-)
Trimvent Select R13	Frame Head Open Out	Brown, White	3400 EA	Open 31 (-1;-1), Closed 43 (-1;-2)
TV SW 380 Flat Grill		Brown, White, Silver, Black		
Trimvent Select S13	Top rail leaf / top rail sidelight & cheeks	Brown, White	1700 EA	Open 32 (0;1), Closed 41 (0;-1)
Trimvent Select C13 (267)		Brown, White		
Trimvent Select S13	Frame Head	Brown, White	1700 EA	Open 32 (0;1), Closed 41 (0;-1)
TV SW 288 Flat Grill		Brown, White, Silver, Black		
Trimvent 90 Hi Lift (425)	Top rail leaf / top rail sidelight & cheeks	Silver	4300 EA	Open 31 (0;0), Closed 42 (-1;-2)
HF 441 Canopy		Silver, Black		
Trimvent 90 Hi Lift (425)	Frame Head Open Out	Silver	4300 EA	Open 31 (0;1), Closed 42 (-1;-2)
TV SW 380 Flat Grill		Brown, White, Silver, Black		
Trimvent 90 Hi Lift (300)	Top rail leaf / top rail sidelight & cheeks	Silver	2500 EA	Open 31 (0;1), Closed 42 (-1;-2)
HF 303 Canopy		Silver, Black		
Trimvent 90 Hi Lift (300)	Frame Head	Silver	2500 EA	Open 31 (0;1), Closed 42 (-1;-2)
TV SW 288 Flat Grill		Brown, White, Silver, Black		

## Thresholds

### Open in Lipped

Option	Description	Aluminium Colour
Standard Thresh	Aluminium + Hardwood 140mm x 43mm	Silver
Site-Coupling Thresh	Aluminium + Hardwood 86mm x 40mm	Silver
Mobility Thresh	Aluminium	Silver

### Open out Lipped

Option	Description	Aluminium Colour
Standard Thresh	Hardwood 140mm x 43mm	n /a
Site-Coupling Thresh	Hardwood 68mm x 40mm	n /a
Mobility Thresh	Aluminium	Silver

### Open in flush

Option	Description	Aluminium Colour
Standard Thresh	Aluminium + Hardwood 140mm x 43mm	Silver
Site-Coupling Thresh	Aluminium + Hardwood 92mm x 40mm	Silver
Mobility Thresh	Aluminium	Silver

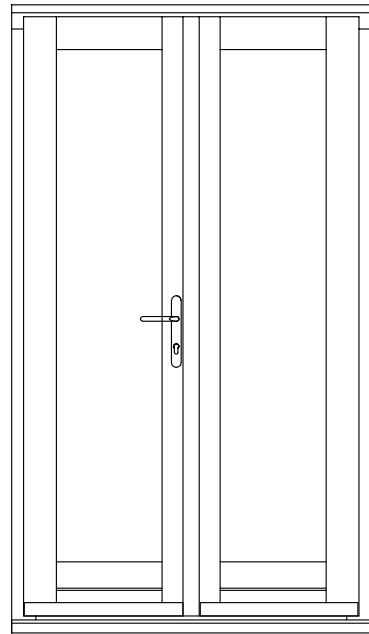
### Open out flush

Option	Description	Aluminium Colour
Standard Thresh	Hardwood 140mm x 43mm	n /a
Site-Coupling Thresh	Hardwood 92mm x 40mm	n /a
Mobility Thresh	Aluminium	Silver

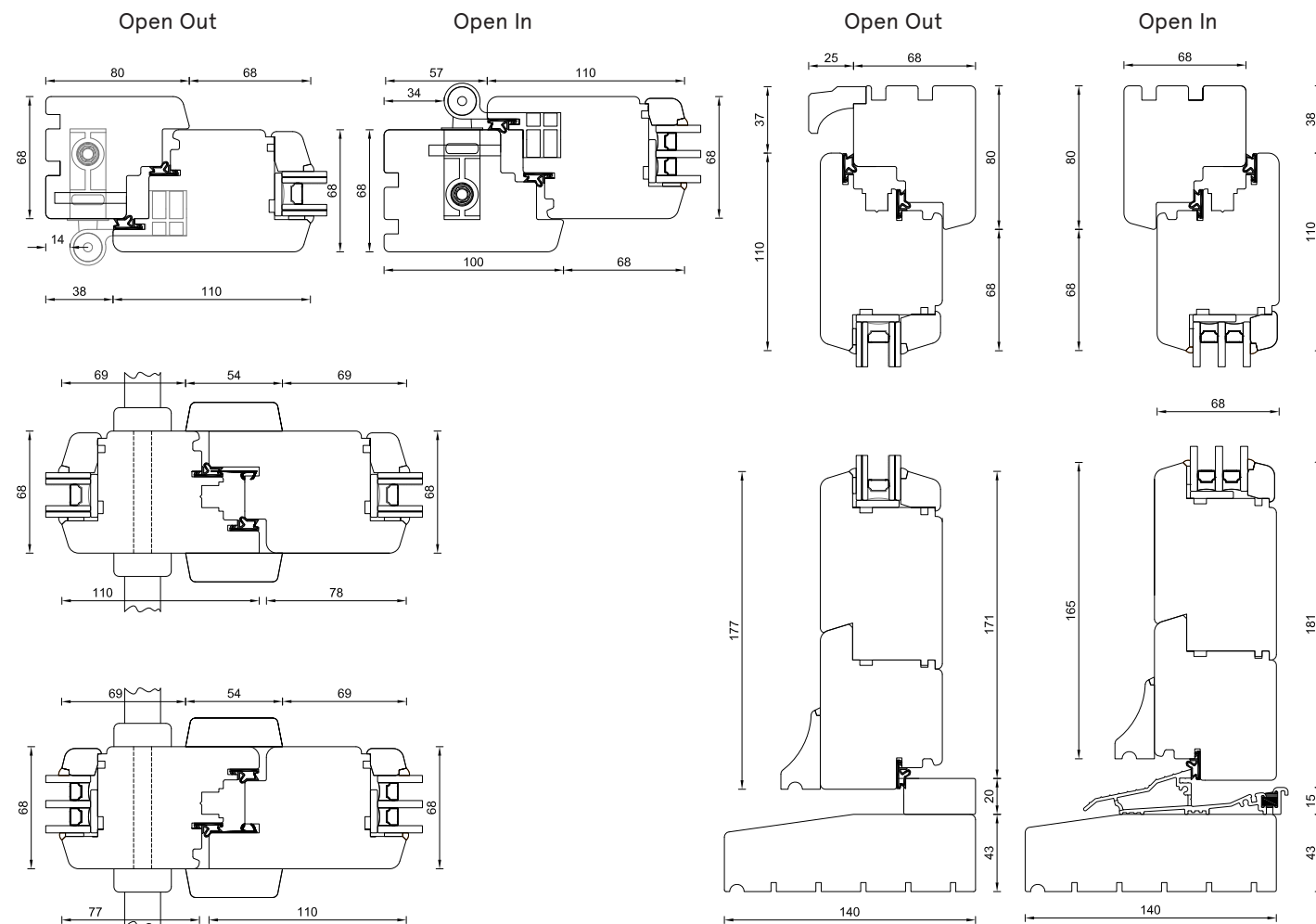
\* hardwood thresh will be stained walnut unless otherwise specified

# Contemporary Lipped French Door

## Sections

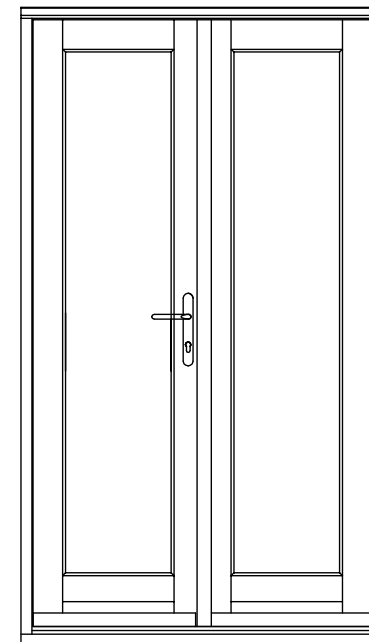


Frame	
Head	68mm x 80mm
Jamb Open Out	68mm x 80mm
Jamb Open In	68mm x 100mm
Leaf	
Top Rail	68mm x 110mm
Stile	68mm x 110mm
Bottom Rail	68mm x 177mm
Mid Rail	68mm x 110mm
Vert Rail	68mm x 110mm
Mullion	68mm x 100mm
Transom	68mm x 100mm

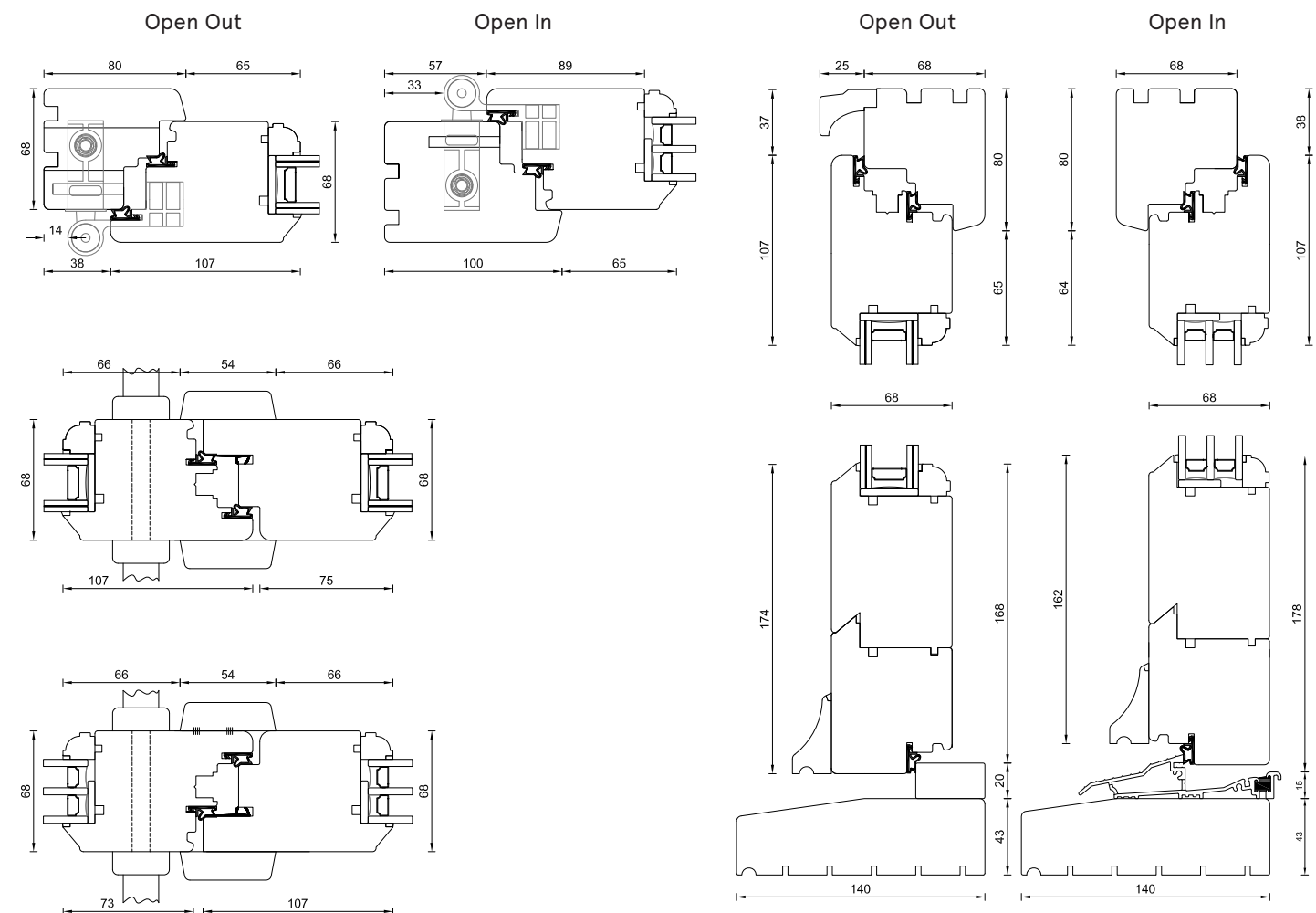


# Traditional Lipped French Door

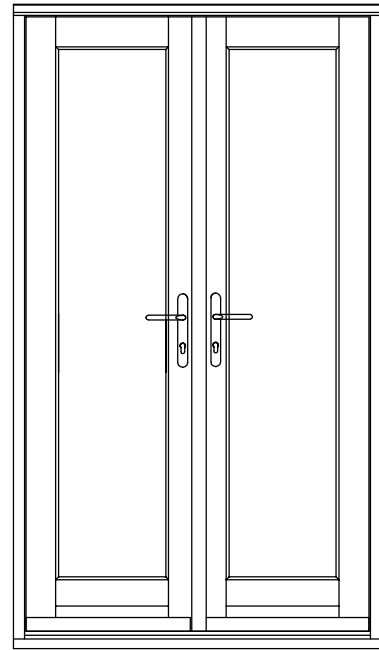
## Sections



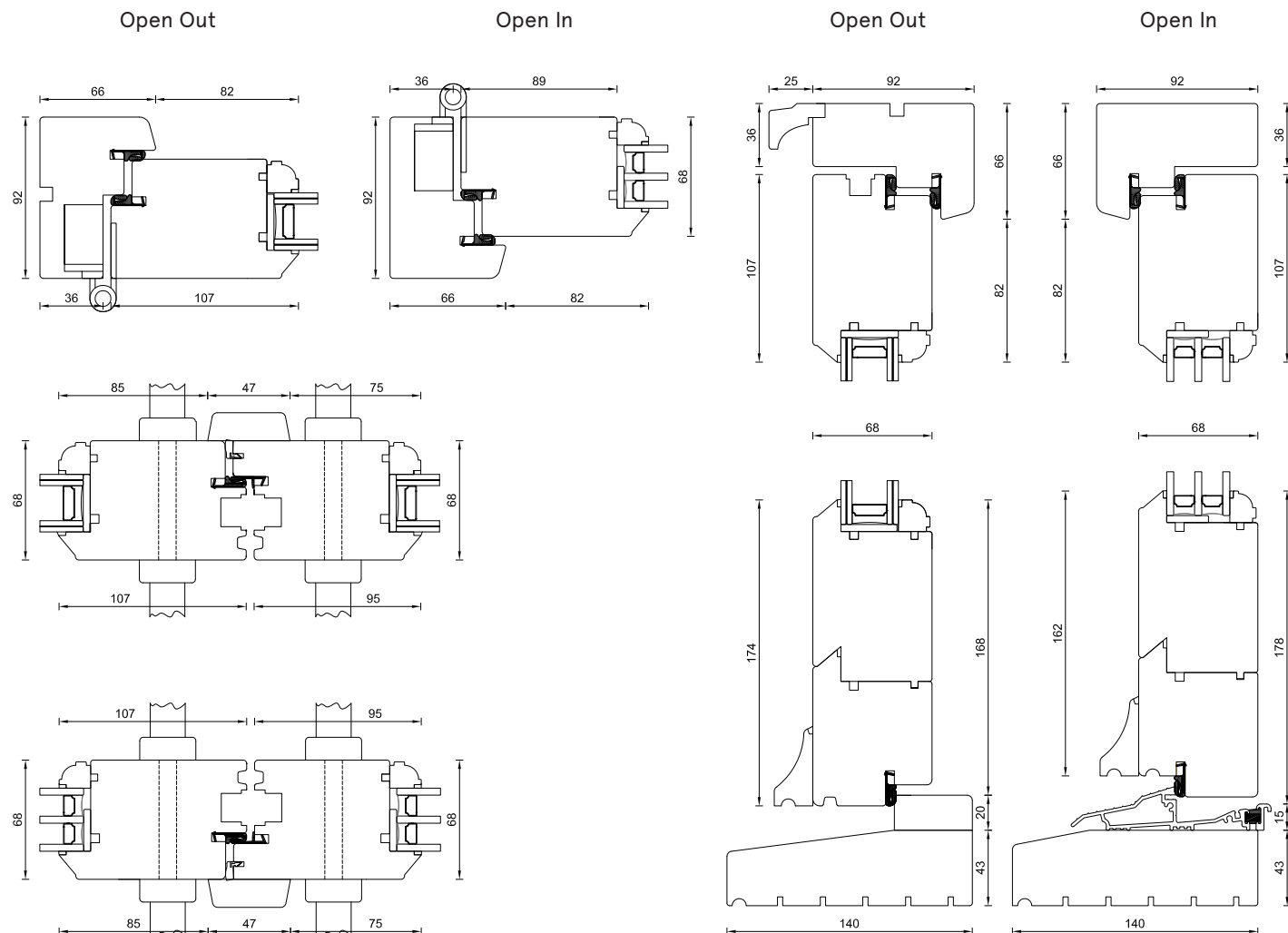
Frame	
Head	68mm x 80mm
Jamb Open Out	68mm x 80mm
Jamb Open In	68mm x 100mm
Leaf	
Top Rail	68mm x 107mm
Stile	68mm x 107mm
Bottom Rail	68mm x 174mm
Mid Rail	68mm x 107mm
Vert Rail	68mm x 107mm
Mullion	68mm x 100mm
Transom	68mm x 100mm



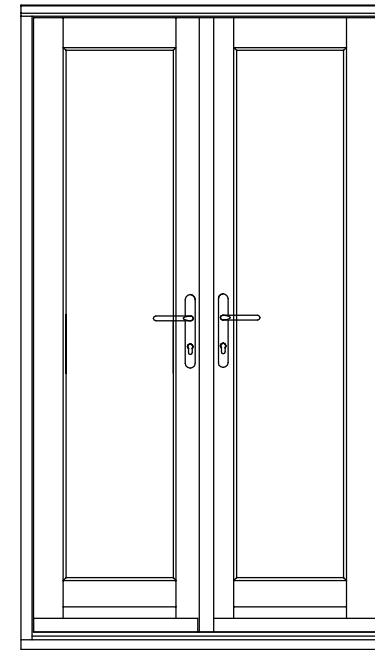
# Traditional Flush French Door Sections



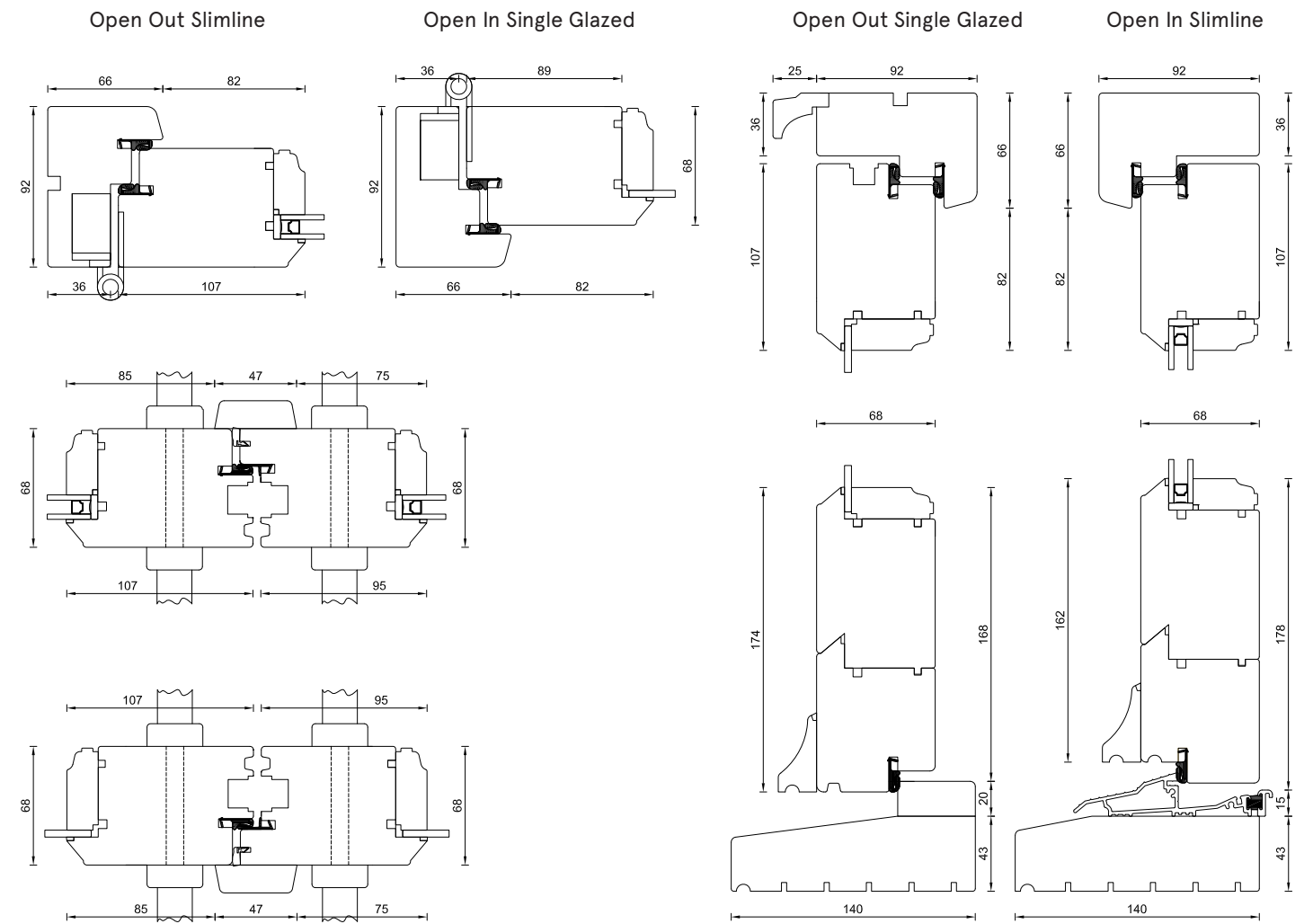
Frame	
Head	92mm x 66mm
Jamb	92mm x 66mm
Leaf	
Top Rail	68mm x 107mm
Stile	68mm x 107mm
Bottom Rail	68mm x 174mm
Mid Rail	68mm x 107mm
Vert Rail	68mm x 107mm
Mullion	
	92mm x 99mm
Transom	
	92mm x 85mm



# Heritage Flush French Door Sections



Frame	
Head	92mm x 66mm
Jamb	92mm x 66mm
Leaf	
Top Rail	68mm x 107mm
Stile	68mm x 107mm
Bottom Rail	68mm x 174mm
Mid Rail	68mm x 107mm
Vert Rail	68mm x 107mm
Mullion	
	92mm x 99mm
Transom	
	92mm x 85mm



# Sliding Patio Doors



## Operation & Mechanism

To lock the door turn the handle upwards so the espag hooks engage with the keepers.

## Minimum & maximum sizes

	2 Leaf	3 Leaf	4 Leaf
Max Weight	300kg per leaf		
Min Width	1470mm	2175mm	2812mm
Max Width	6070mm	10020mm	10020mm
Min Height	1325mm	1325mm	1325mm
Max Height	2825mm	2825mm	2825mm

## Weatherstrips

Name	Location	Colours
HS Patio Door System	Frame & Door Leaf	Grey to all light painted finishes. Black to all stain finishes & dark painted finishes.

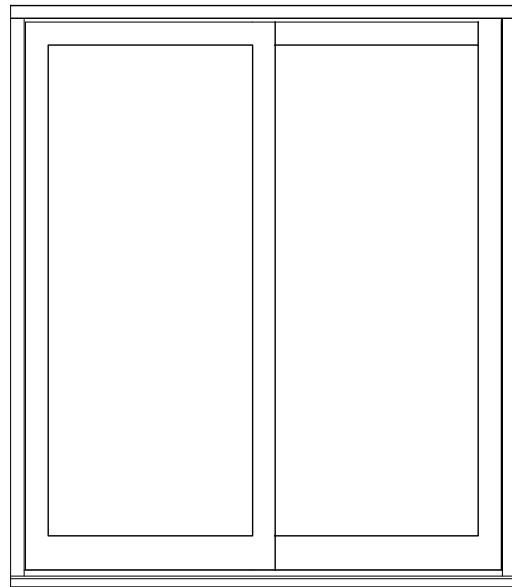
## Thresholds

Option	Description
Standard Thresh	Hardwood 190 x 67mm
Site-Coupling Thresh	Hardwood 190 x 67mm + cill extension

## Vents

Name	Location	Colours	EA Rating	Acoustic Rating D <sub>n,e,w</sub> (+/-)
Trimvent Select R13	Frame Head	Brown, White	3400 EA	Open 31 (-1;-1), Closed 43 (-1;-2)
Trimvent Select C13 (412)		Brown, White		
Trimvent Select S13	Frame Head	Brown, White	1700 EA	Open 32 (0;1), Closed 41 (0;-1)
Trimvent Select C13 (267)		Brown, White		
Trimvent 90 Hi Lift (425)	Frame Head	Silver, Black	4300 EA	Open 31 (0;0), Closed 42 (-1;-2)
HF 441 Canopy		Silver, White, Brown, Black		
Trimvent 90 Hi Lift (300)	Frame Head	Silver, Black	2500 EA	Open 31 (0;1), Closed 42 (-1;-2)
HF 303 Canopy		Silver, White, Brown, Black		

# Contemporary Sliding Patio Door Sections



### Frame

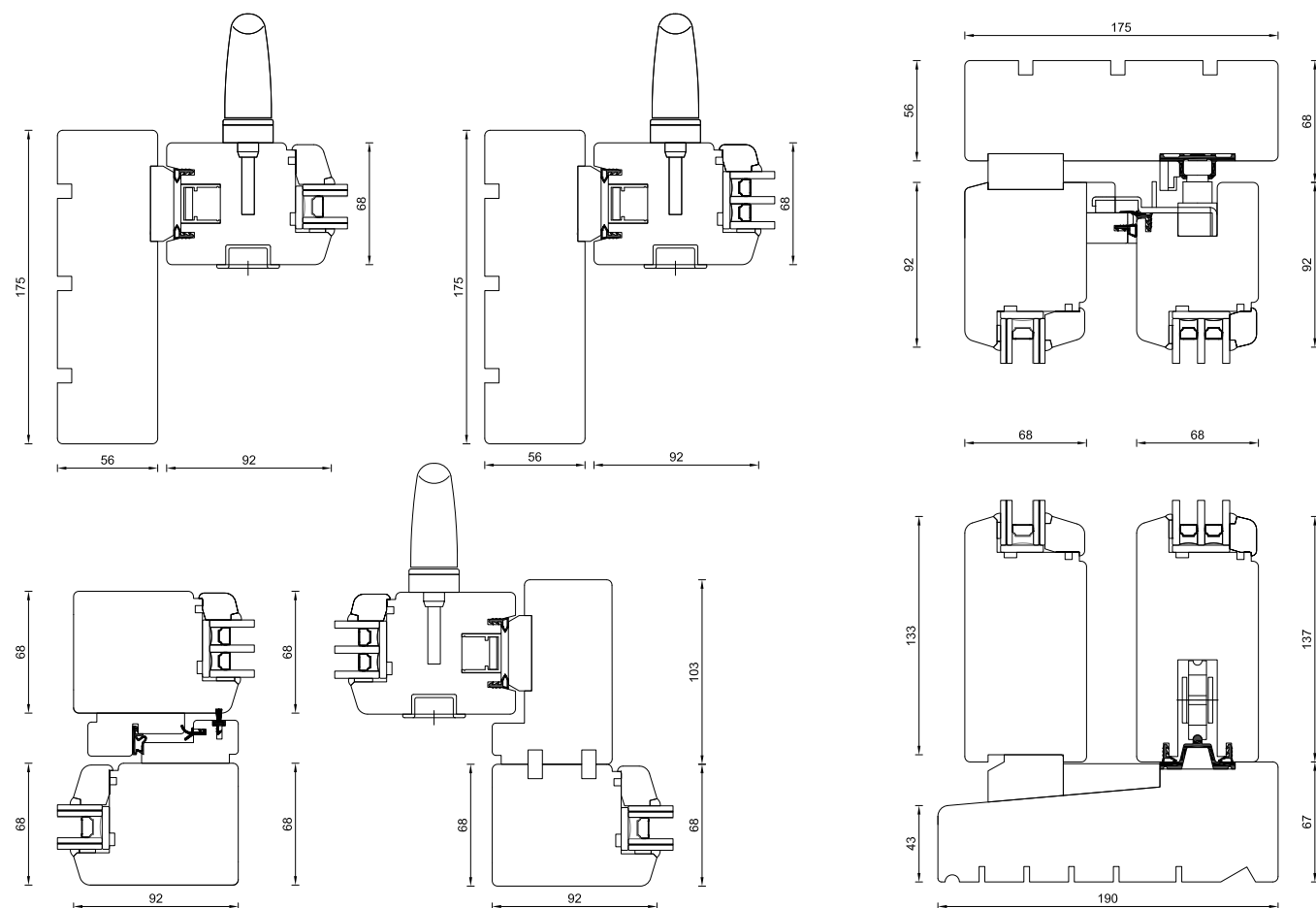
Head	175mm x 56mm
Jamb	175mm x 56mm
Cill	190mm x 67mm

### Leaf

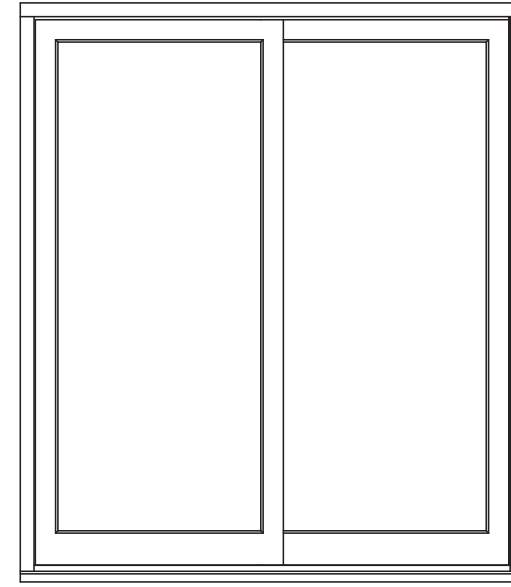
Top Rail	68mm x 92mm
Stile	68mm x 92mm
Bottom Rail	68mm x 92mm
Mid Rail	68mm x 92mm

### Mullion

175mm x 92mm



# Traditional Sliding Patio Door Sections



### Frame

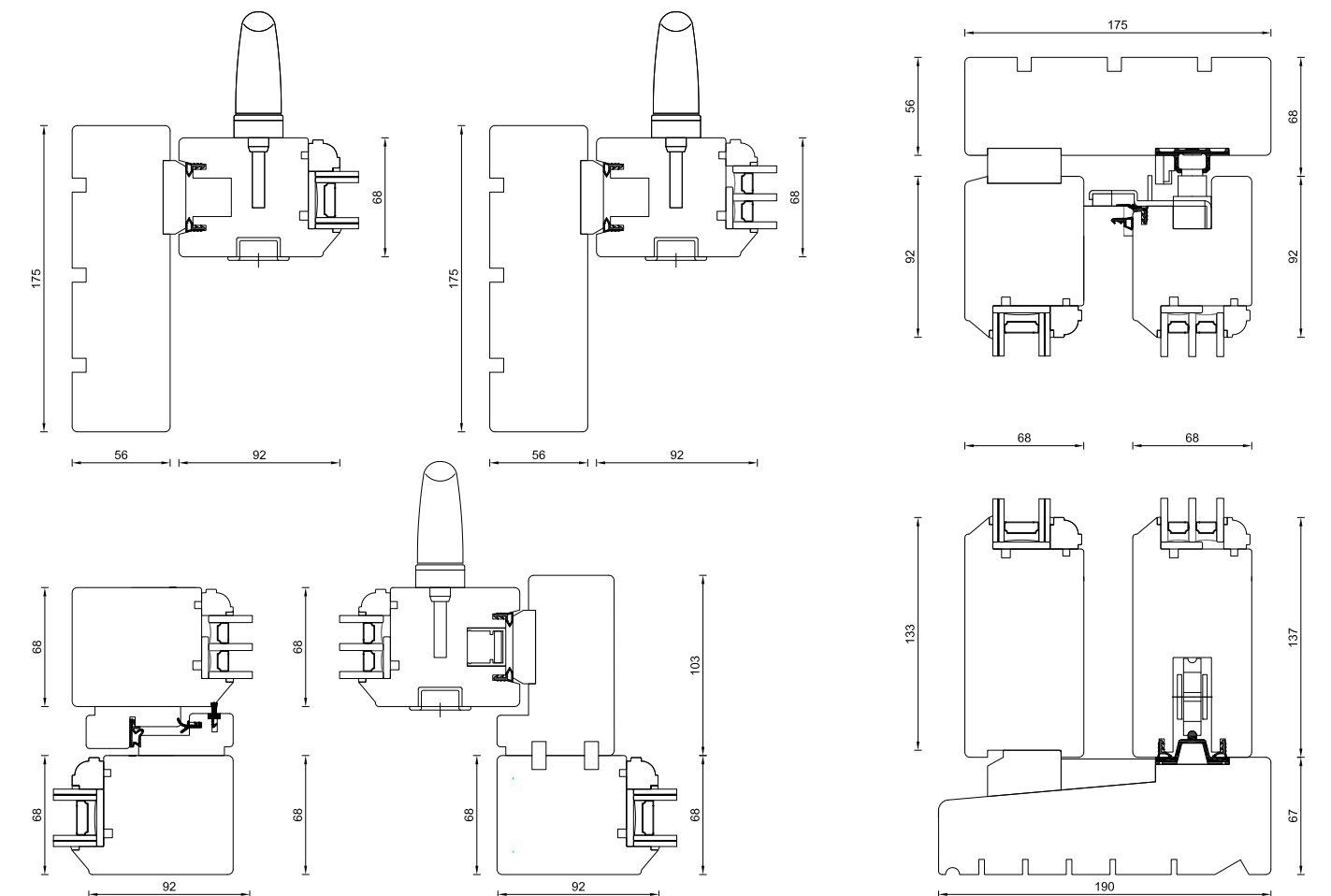
Head	175mm x 56mm
Jamb	175mm x 56mm
Cill	190mm x 67mm

### Leaf

Top Rail	68mm x 92mm
Stile	68mm x 92mm
Bottom Rail	68mm x 92mm
Mid Rail	68mm x 92mm

### Mullion

175mm x 92mm





# Folding Sliding Doors



## Operation & Mechanism

To lock the door the handle is lifted so the espag hooks engage with the keeper. The cylinder is then locked with a key which engages the third locking point.

## Minimum & maximum sizes

	2 Leaf	3 Leaf	4 Leaf	5 Leaf
Max Weight	100kg per leaf	100kg per leaf	100kg per leaf	100kg per leaf
Min Width	958mm	1392mm	1826mm	2260mm
Max Width	2098mm	3102mm	4106mm	5110mm
Min Height	1750mm	1750mm	1750mm	1750mm
Max Height	2500mm	2500mm	2500mm	2500mm
	6 Leaf	7 Leaf	8 Leaf	
Max Weight	100kg per leaf	100kg per leaf	100kg per leaf	
Min Width	2694mm	3128mm	3562mm	
Max Width	6114mm	7118mm	8122mm	
Min Height	1750mm	1750mm	1750mm	
Max Height	2500mm	2500mm	2500mm	

## Weatherstrips

Name	Location	Colours
Schlegel foam-filled Q-Lon 3056	Frame & Door Leaf	White / Black / Brown
Schlegel foam-filled Q-Lon 3005	fitted to parameter of frame.	White / Black / Brown
Schlegel foam-filled Q-Lon 3056	fitted leaf to leaf on flying mullion	White / Black / Brown
Brushpile PS13B	fitted to top track	Grey

## Thresholds

Option	Description
Standard Thresh	Matt Aluminium 202 x 57mm
Timber Thresh	Hardwood 196 x 63mm
Site-Coupling Thresh	Hardwood 153 x 63mm + Cill Extension Options

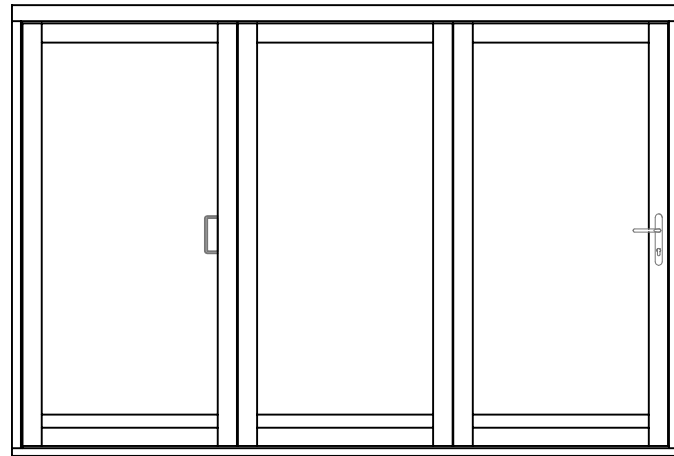
## Vents & Locations

Name	Location	Colours	EA Rating	Acoustic Rating D <sub>n,e,w</sub> (+/-)
Trimvent Select Xtra XR16	Top Rail Leaf	Brown / White	4600 EA	Open 31 (0;0), Closed 41 (-1;-2)
Trimvent Select Xtra XC16		Brown / White		

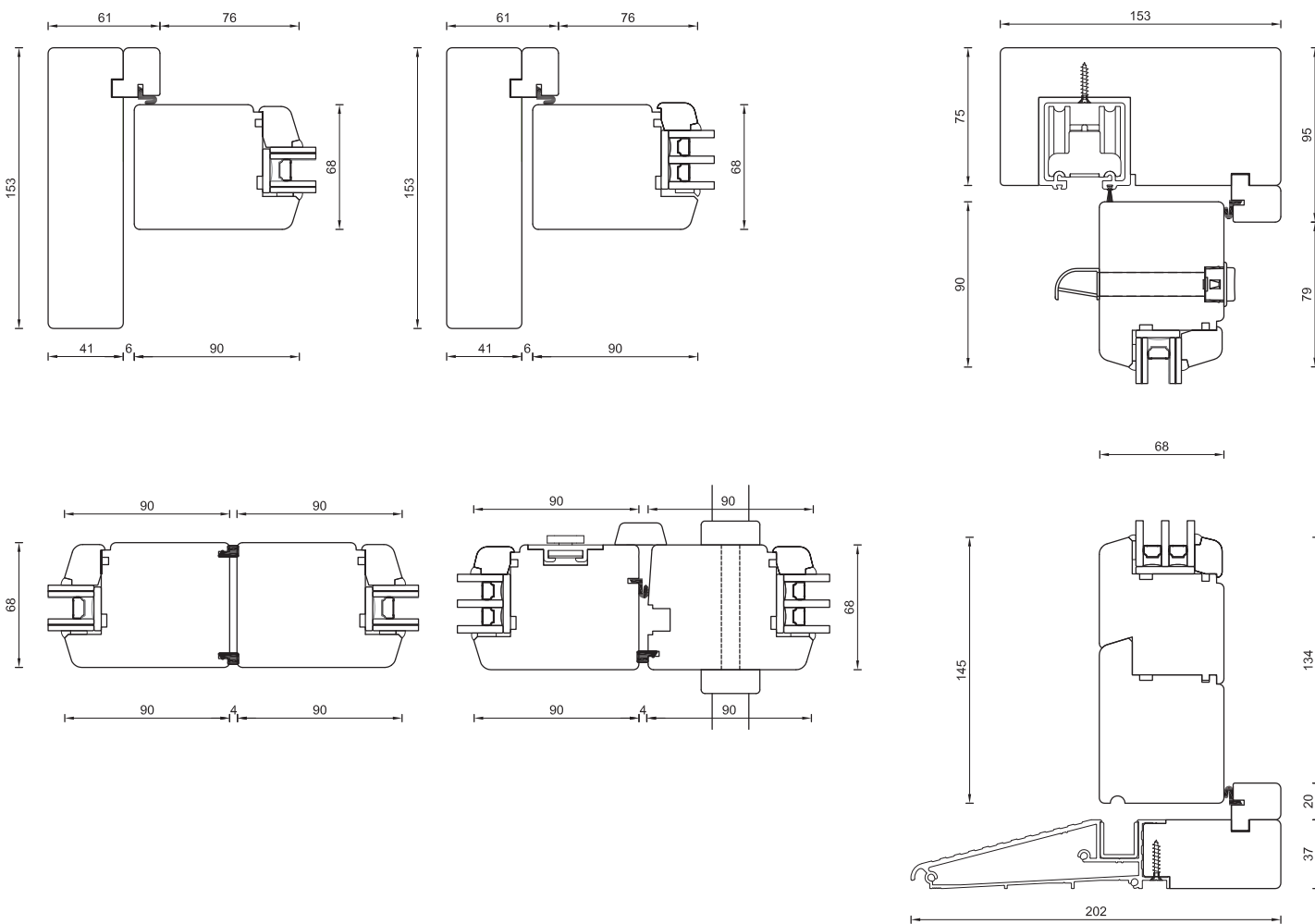
Model Numbers (Leafs from left to right)"	Vent Location
All 2 leaf models	1 & 2
330 / 303	1
321 / 313	1 & 3
All 4 leaf models	1 & 4
550 / 505	1
541 / 514 / 532 / 523	1 & 5
All 6 leaf models	1 & 6
770 / 707	1
761 / 716 / 752 / 725 / 743 / 734	1 & 7
All 8 leaf models	1 & 8

# Contemporary Folding Sliding Door

## Sections

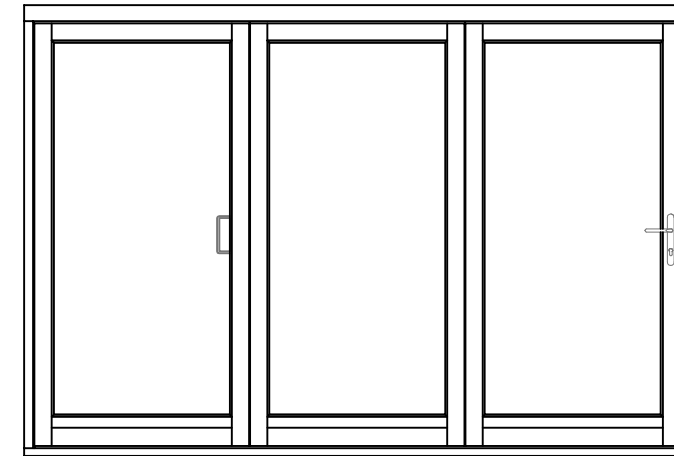


Frame	
Head	153mm x 95mm
Jamb	153mm x 61mm
Leaf	
Top Rail	68mm x 90mm
Stile	68mm x 90mm
Bottom Rail	68mm x 145mm
Meeting Stile	68mm x 184mm

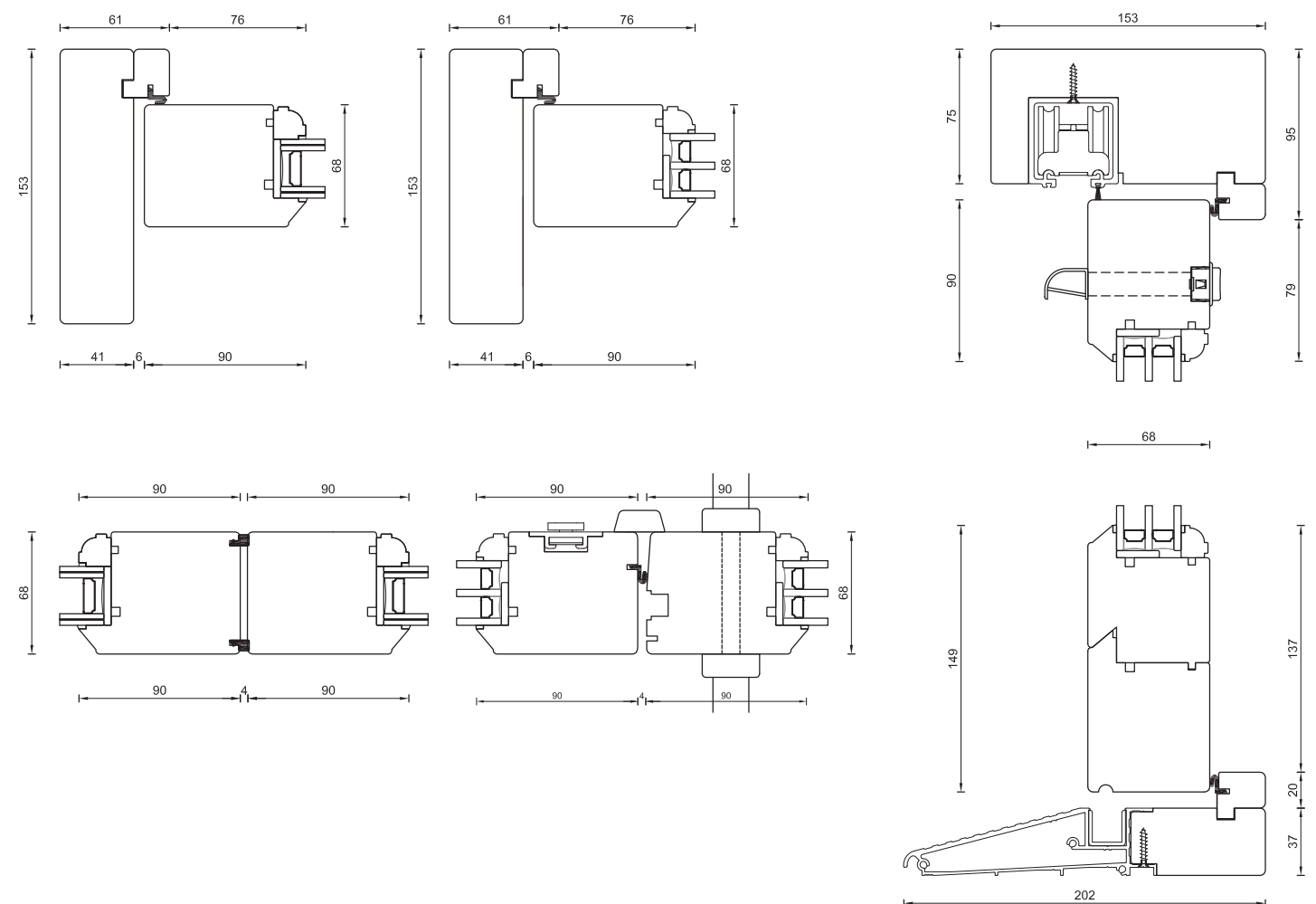


# Traditional Folding Sliding Door

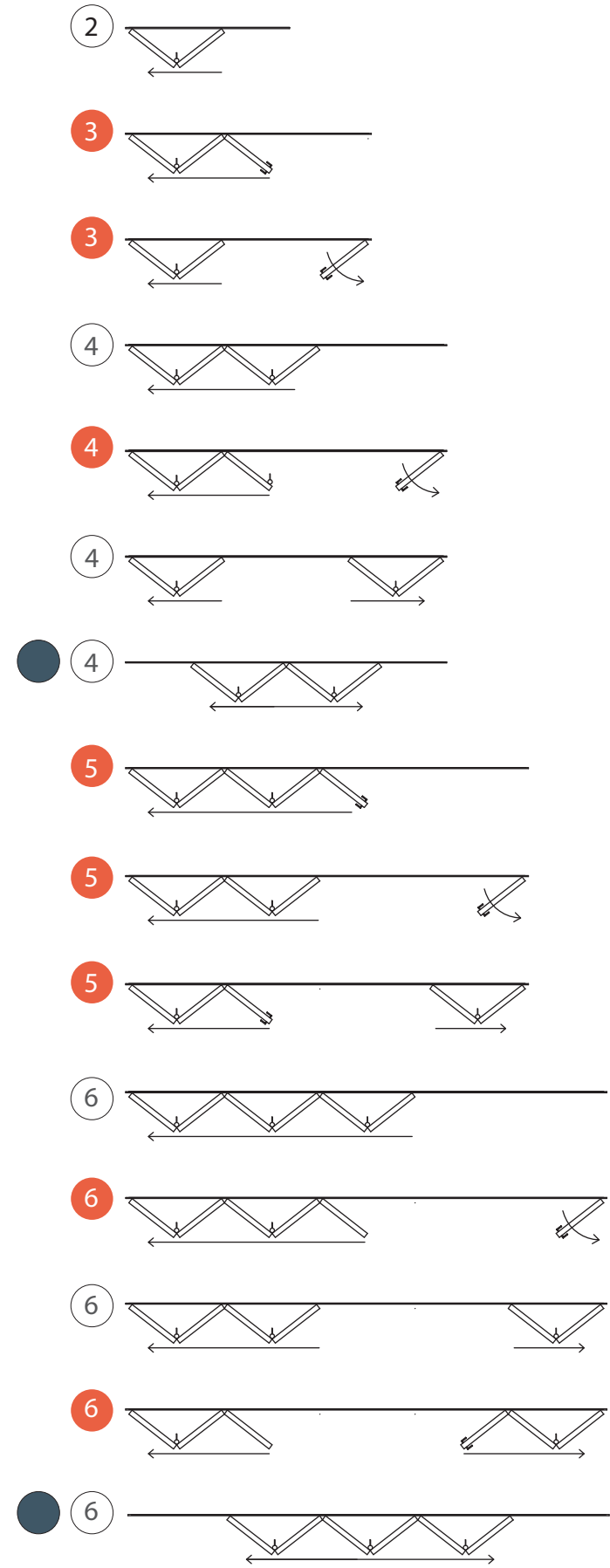
## Sections



Frame	
Head	153mm x 95mm
Jamb	153mm x 61mm
Leaf	
Top Rail	68mm x 90mm
Stile	68mm x 90mm
Bottom Rail	68mm x 148mm
Meeting Stile	68mm x 184mm



# Folding Sliding Door Configurations

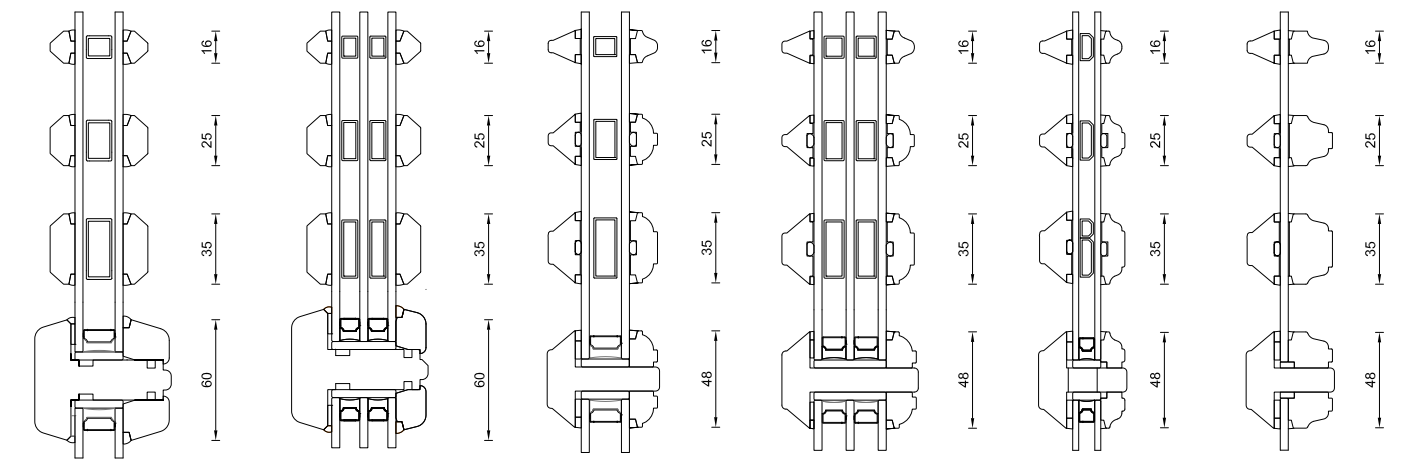


- Internal Grip Handle Only (No External Handle)
- Internal Grip Handle & External Handle
- Floating System

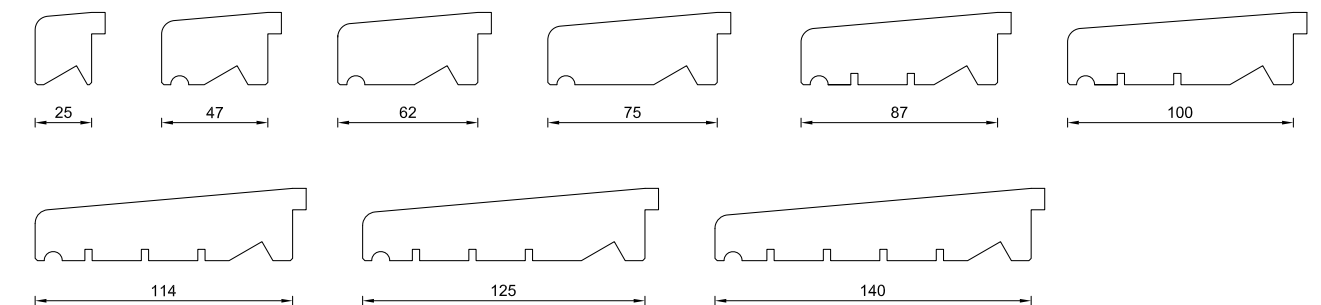
\*Designs show opening out and ironmongery is subject to model

# Bars

Thickness	Contemporary Bar	Traditional Bar	Heritage Bar
16mm	Pencil round stick on bar with back to back spacer	Lambs Tongue stick on bar with back to back spacer	Lambs Tongue stick on bar with back to back spacer
25mm	Pencil round Stick on bar with back to back spacer	Ovolo stick on bar with back to back spacer. or Lambs tongue stick on bar with back to back spacer.	Lambs Tongue stick on bar with back to back spacer
35mm	Pencil round Stick on bar with back to back spacer	Ovolo stick on bar with back to back spacer. or Lambs tongue stick on bar with back to back spacer.	Lambs Tongue stick on bar with back to back spacer
48mm	n/a	Ovolo Solid Bar	Lambs Tongue Solid Bar
60mm	Pencil round Solid Bar	n/a	n/a



# Cills



# Glazing Options

## Standard Glass Options Glazing Units 24-25mm.

Argon Filled and Softcoat Low-e

Description & Unit Config.	Ug	dB	Weight Kg/m <sup>2</sup>	G Value	Obscure	Anti Sun	Painted	Lead	Bevelled	Self Clean
Standard Float 4 / 16Ar / 4T	1.0	31	20	0.63	All	Yes	No	Yes	Yes	Yes
Security 6.5 / 14Ar / 4T	1.2	34	25	0.58	Frosted	No	No	Yes	No	No
Safety 4 / 14Ar / 6.5T	1.2	34	25	0.62	All	Yes	No	Yes	Yes	Yes
Safety & Security 6.5 / 12Ar / 6.5T	1.3	33	30	0.58	Frosted	No	No	Yes	No	No
Safety & Security (Tough out) 4ESG / 14Ar / 6.5T	1.2	34	25	0.63	All*	Yes	Yes	Yes	Yes	Yes
Tough In 4 / 16Ar / 4 ESG T	1.0	31	20	0.63	All	Yes	No	Yes	Yes	Yes
Tough Out 4 ESG / 16Ar / 4T	1.0	31	20	0.63	All *	Yes	Yes	Yes	Yes	Yes
Tough Both 4 ESG / 16Ar / 4 ESG T	1.0	31	20	0.58	All *	Yes	Yes	Yes	Yes	Yes
Std Float 6 / 12Ar / 6T	1.3	31	30	0.59	Frosted	Yes	No	Yes	Yes	Yes
Toughened In 6 / 12Ar / 6 ESG T	1.3	31	30	0.59	Frosted	Yes	No	Yes	Yes	Yes
Toughened Out 6 ESG / 12Ar / 6T	1.3	31	30	0.59	Frosted	Yes	Yes	Yes	Yes	Yes
Toughed Both 6 ESG / 12Ar / 6 ESG T	1.3	31	30	0.59	Frosted	Yes	Yes	Yes	Yes	Yes

## Enhanced Security Glass Options Glazing Units 24-25mm.

Argon Filled and Softcoat Low-e 6.8mm (P2A) Laminated Glass as required by SBD and Part Q.

Security 6.8 / 14Ar / 4T	1.2	33	25	0.58	Frosted	No	No	Yes	No	No
Safety 4 / 14Ar / 6.8T	1.2	34	25	0.62	All	Yes	No	Yes	Yes	Yes
Safety & Security 6.5 / 12Ar / 6.8T	1.3	33	30	0.58	Frosted	No	No	Yes	No	No
Safety & Security (Toughened Out) 4ESG / 14Ar / 6.8T	1.2	34	25	0.62	All*	Yes	No	Yes	Yes	Yes

\*Except Delta & Niagara

## Standard Glass Options Glazing Units 32-33mm.

Argon Filled and Softcoat Low-e

Description & Unit Config.	Ug	dB	Weight Kg/m <sup>2</sup>	G Value	Obscure	Anti Sun	Painted	Lead	Bevelled	Self Clean
Standard Float 6 / 20Ar / 6T	1.0	31	30	0.62	Frosted	Yes	No	Yes	Yes	Yes
Security 6.5 / 20Ar / 6T	1.0	31	30	0.59	Frosted	No	No	Yes	No	No
Safety 6 / 20Ar / 6.5T	1.0	31	30	0.61	Frosted	Yes	No	Yes	Yes	Yes
Safety & Security 6.5 / 20Ar / 6.5T	1.0	33	30	0.59	Frosted	Yes	No	Yes	No	Yes
Toughened In 6 / 20Ar / 6 ESGT	1.0	31	30	0.62	Frosted	Yes	No	Yes	Yes	Yes
Toughened Out 6 ESG / 20Ar / 6 T	1.0	31	30	0.62	Frosted	Yes	Yes	Yes	Yes	Yes
Toughened Both 6 ESG / 20Ar / 6 ESG T	1.0	31	30	0.62	Frosted	Yes	Yes	Yes	Yes	Yes
Safety & Security (Tough Out) 6ESG / 20Ar / 6.5T	1.0	33	30	0.61	Frosted	Yes	Yes	Yes	Yes	Yes
Std Float 4 / 20Ar / 8T	1.0	31	30	0.63	All	Yes	No	Yes	Yes	Yes
Safety 4 / 20Ar / 8.8T (44.1)	1.0	37	30	0.62	All	Yes	No	Yes	Yes	Yes
Safety & Security (Tough Out) 4ESG / 20Ar / 8.8T (44.1)	1.0	37	30	0.62	All *	Yes	Yes	Yes	Yes	Yes

\*Except Delta & Niagara

## Enhanced Security Glass Options Glazing Units 32-33mm.

Argon Filled and Softcoat Low-e 6.8mm (P2A) Laminated Glass as required by SBD and Part Q

Description & Unit Config.	Ug	dB	Weight Kg/m <sup>2</sup>	G Value	Obscure	Anti Sun	Painted	Lead	Bevelled	Self Clean
Security 6.8 / 20Ar / 6T	1.0	33	30	0.58	Frosted	No	No	Yes	No	No
Safety 6 / 20Ar / 6.8T	1.0	34	30	0.62	Frosted	Yes	No	Yes	Yes	Yes
Safety & Security 6.5 / 20Ar / 6.8T	1.0	33	30	0.58	Frosted	No	No	Yes	No	No

## Low Iron Glass Options Glazing Units 24-25mm.

Diamant Low Iron External Pane With Planiterm Ultra N Internal, Argon Filled and Softcoat Low-e

Description & Unit Config.	Ug	dB	Weight Kg/m <sup>2</sup>	G Value	Obscure	Anti Sun	Painted	Lead	Bevelled	Self Clean
Standard Float 4 / 16Ar / 4T	1.0	31	20	0.65	No	No	No	Yes	No	No
Tough In 4 / 16Ar / 4 ESG T	1.0	31	20	0.65	No	No	No	Yes	No	No
Tough Out 4 ESG / 16Ar / 4T	1.0	31	20	0.65	No	No	No	Yes	No	No
Tough Both 4 ESG / 16Ar / 4 ESG T	1.0	31	20	0.65	No	No	No	Yes	No	No

### Low Iron Glass Options Glazing Units 32mm.

Diamant Low Iron External Pane With Planiterm Ultra N Internal, Argon Filled and Softcoat Low-e

Description & Unit Config.	Ug	dB	Weight Kg/m <sup>2</sup>	G Value	Obscure	Anti Sun	Painted	Lead	Bevelled	Self Clean
Standard Float 6 / 20Ar / 6T	1.0	31	32	0.65	No	No	No	Yes	No	No
Tough In 6 / 20Ar / 6 ESG T	1.0	31	32	0.65	No	No	No	Yes	No	No
Tough Out 6 ESG / 20Ar / 6T	1.0	31	32	0.65	No	No	No	Yes	No	No
Tough Both 6ESG / 20Ar / 6 ESG T	1.0	31	32	0.65	No	No	No	Yes	No	No

### Acoustic Glass Options Glazing Units 25mm

Argon Filled and Softcoat Low-e

Description & Unit Config.	Ug	dB	Weight Kg/m <sup>2</sup>	G Value	Obscure	Anti Sun	Painted	Lead	Bevelled	Self Clean
Acoustic Security 8.8 (Aku) / 12Ar / 4T	1.3	39	32	0.56	Frosted	Yes	Yes	Yes	No	Yes
Acoustic Safety & Security (Tough internal pane) 8.8 (Aku) / 12Ar / 4 ESG T	1.3	39	32	0.56	Frosted	Yes	Yes	Yes	No	Yes

### Acoustic Glass Options Glazing Units 27mm (Creative door only).

Argon Filled and Softcoat Low-e

Description & Unit Config.	Ug	dB	Weight Kg/m <sup>2</sup>	G Value	Obscure	Anti Sun	Painted	Lead	Bevelled	Self Clean
Acoustic Safety & Security (Tough internal pane) 8.8 (Aku) / 14Ar / 4 ESG T	1.2	39	32	0.56	Frosted	Yes	Yes	Yes	No	Yes

### Acoustic Glass Options Glazing Units 35mm.

Argon Filled and Softcoat Low-e

Description & Unit Config.	Ug	dB	Weight Kg/m <sup>2</sup>	G Value	Obscure	Anti Sun	Painted	Lead	Bevelled	Self Clean
Acoustic Security 8.8 / 20Ar / 6T	1.0	39	37	0.56	Frosted	Yes	Yes	Yes	No	Yes
Acoustic Safety & Security (Tough internal pane) 8.8 / 20Ar / 6 ESGT	1.0	39	37	0.56	Frosted	Yes	Yes	Yes	No	Yes

### Acoustic Glass Options Glazing Units 31mm.

Argon Filled and Softcoat Low-e

Description & Unit Config.	Ug	dB	Weight Kg/m <sup>2</sup>	G Value	Obscure	Anti Sun	Painted	Lead	Bevelled	Self Clean
Acoustic Security 8.8 (Aku) / 16Ar / 6T	1.0	42	37	0.56	Frosted	Yes	Yes	Yes	No	Yes
Acoustic Safety & Security (Tough internal pane) 8.8 (Aku) / 16Ar / 6 ESG T	1.0	42	37	0.56	Frosted	Yes	Yes	Yes	No	Yes

### Acoustic Glass Options Glazing Units 35mm

Argon Filled and Softcoat Low-e

Description & Unit Config.	Ug	dB	Weight Kg/m <sup>2</sup>	G Value	Obscure	Anti Sun	Painted	Lead	Bevelled	Self Clean
Acoustic Security 8.8 (Aku) / 20Ar / 6T	1.0	42	37	0.56	Frosted	Yes	Yes	Yes	No	Yes
Acoustic Safety & Security (Tough internal pane) 8.8 (Aku) / 20Ar / 6 ESG T	1.0	42	37	0.56	Frosted	Yes	Yes	Yes	No	Yes
Acoustic Safety & Security 9.5 / 16Ar / 8.8 (Aku) CG A 1.0	1.0	45	45	0.56	Frosted	Yes	Yes	Yes	No	Yes

### Triple Glazed Glass Options Glazing Units 32mm

Argon (Ar) / Krypton (Kr) Filled and Softcoat Low-e

\*\* Obscure, Anti Sun, Leaded and Painted: Centre pane always toughened

Description & Unit Config.	Ug	dB	Weight Kg/m <sup>2</sup>	G Value	Obscure	Anti Sun	Painted	Lead	Bevelled	Self Clean
Std Float 4T / 10Ar / 4 / 10Ar / 4T	0.8	31	30	0.50	All	**Yes	**Yes	**Yes	Yes	Yes
Std Float 4T / 10Kr / 4 / 10Kr / 4T	0.6	31	30	0.50	All	**Yes	**Yes	**Yes	Yes	Yes
Toughened In 4T / 10Ar / 4 / 10Ar / 4 ESG T	0.8	31	30	0.50	All	**Yes	**Yes	**Yes	Yes	Yes
Toughened In 4T / 10Kr / 4 / 10Kr / 4 ESG T	0.6	31	30	0.50	All	**Yes	**Yes	**Yes	Yes	Yes
Toughened Out 4ESG T / 10Ar / 4 / 10Ar / 4T	0.8	31	30	0.50	All	**Yes	**Yes	**Yes	Yes	Yes
Toughened Out 4ESG T / 10Kr / 4 / 10Kr / 4T	0.6	31	30	0.50	All	**Yes	**Yes	**Yes	Yes	Yes
Toughened Both 4ESG T / 10Ar / 4 / 10Ar / 4 ESGT	0.8	31	30	0.50	All	**Yes	**Yes	**Yes	Yes	Yes
Toughened Both 4ESG T / 10Kr / 4 / 10Kr / 4 ESGT	0.6	31	30	0.50	All	**Yes	**Yes	**Yes	Yes	Yes
Toughened All 4ESG T / 10Ar / 4ESG / 10Ar / 4 ESGT	0.8	31	30	0.50	All	**Yes	**Yes	**Yes	Yes	Yes
Toughened All 4ESG T / 10Kr / 4ESG / 10Kr / 4 ESGT	0.6	31	30	0.50	All	**Yes	**Yes	**Yes	Yes	Yes



### Triple Glazed Enhanced Security Glass Options Glazing Units 32mm

Argon (Ar) / Krypton (Kr) Filled and Softcoat Low-e 6.8mm (P2A) Laminated Glass as required by SBD & Part Q.

\*\* Obscure, Anti Sun, Leaded and Painted: Centre pane always toughened 6.8mm (P2A) Laminated Glass as as required by SBD and Part Q

Description & Unit Config.	Ug	dB	Weight Kg/m <sup>2</sup>	G Value	Obscure	Anti Sun	Painted	Lead	Bevelled	Self Clean
Safety (Part Q, SBD) 4T / 8Ar / 4 / 8Ar / 6.8 T	1.0	31	37	0.50	All	**Yes	**Yes	**Yes	Yes	Yes
Safety (Part Q, SBD) 4T / 8Kr / 4 / 8Kr / 6.8 T	0.6	31	37	0.50	All	**Yes	**Yes	**Yes	Yes	Yes
Security (Part Q, SBD) 6.8 T / 8Ar / 4 / 8Ar / 4T	1.0	31	37	0.50	Frosted	**Yes	**Yes	**Yes	No	No
Security (Part Q, SBD) 6.8 T / 8Kr / 4 / 8Kr / 4T	0.6	31	37	0.50	Frosted	**Yes	**Yes	**Yes	No	No
Safety & Security (Toughened In) (Part Q, SBD) 6.8 T / 8Ar / 4 / 8Ar / 4 ESGT	1.0	31	37	0.50	Frosted	**Yes	**Yes	**Yes	No	No
Safety & Security (Toughened In) (Part Q, SBD) 6.8 T / 8Kr / 4 / 8Kr / 4 ESGT	0.6	31	37	0.50	Frosted	**Yes	**Yes	**Yes	No	No
Safety & Security (Toughened Middle) (Part Q, SBD) 6.8 T / 8Ar / 4ESG / 8Ar / 4 ESGT	1.0	31	37	0.50	Frosted	**Yes	**Yes	**Yes	No	No
Safety & Security (Toughened Middle) (Part Q, SBD) 6.8 T / 8Kr / 4ESG / 8Kr / 4 ESGT	0.6	31	37	0.50	Frosted	**Yes	**Yes	**Yes	No	No

### Triple Glazed Glass Options Glazing Units 36mm

Argon (Ar) / Krypton (Kr) Filled and Softcoat Low-e

\*\* Obscure, Anti Sun, Leaded and Painted: Centre pane always toughened

Description & Unit Config.	Ug	dB	Weight Kg/m <sup>2</sup>	G Value	Obscure	Anti Sun	Painted	Lead	Bevelled	Self Clean
Std Float 4T / 12Ar / 4 / 12Ar / 4T	0.7	31	30	0.50	All	**Yes	**Yes	**Yes	Yes	Yes
Std Float 4T / 12Kr / 4 / 12Kr / 4T	0.5	31	30	0.50	All	**Yes	**Yes	**Yes	Yes	Yes
Toughened In 4T / 12Ar / 4 / 12Ar / 4 ESG T	0.7	31	30	0.50	All	**Yes	**Yes	**Yes	Yes	Yes
Toughened In 4T / 12Kr / 4 / 12Kr / 4 ESG T	0.5	31	30	0.50	All	**Yes	**Yes	**Yes	Yes	Yes
Toughened Out 4ESG T / 12Ar / 4 / 12Ar / 4T	0.7	31	30	0.50	All	**Yes	**Yes	**Yes	Yes	Yes
Toughened Out 4ESG T / 12Kr / 4 / 12Kr / 4T	0.5	31	30	0.50	All	**Yes	**Yes	**Yes	Yes	Yes
Toughened Both 4ESG T / 12Ar / 4 / 12Ar / 4 ESG T	0.7	31	30	0.50	All	**Yes	**Yes	**Yes	Yes	Yes
Toughened Both 4ESG T / 12Kr / 4 / 12Kr / 4 ESG T	0.5	31	30	0.50	All	**Yes	**Yes	**Yes	Yes	Yes
Toughened All 4ESG T / 12Ar / 4ESG / 12Ar / 4 ESG T	0.7	31	30	0.50	All	**Yes	**Yes	**Yes	Yes	Yes
Toughened All 4ESG T / 12Kr / 4ESG / 12Kr / 4 ESG T	0.5	31	30	0.50	All	**Yes	**Yes	**Yes	Yes	Yes

### Triple Glazed Enhanced Security Glass Options Glazing Units 35mm

Argon (Ar) / Krypton (Kr) Filled and Softcoat Low-e 6.8mm (P2A) Laminated Glass as required by SBD & Part Q.

\*\* Obscure, Anti Sun, Leaded and Painted: Centre pane always toughened, 6.8mm (P2A) Laminated Glass as as required by SBD and Part Q

Description & Unit Config.	Ug	dB	Weight Kg/m <sup>2</sup>	G Value	Obscure	Anti Sun	Painted	Lead	Bevelled	Self Clean
Safety (Part Q, SBD) 4T / 10Ar / 4 / 10Ar / 6.8 T	0.8	31	37	0.50	All	**Yes	**Yes	**Yes	Yes	Yes
Safety (Part Q, SBD) 4T / 10Kr / 4 / 10Kr / 6.8 T	0.6	31	37	0.50	All	**Yes	**Yes	**Yes	Yes	Yes
Security (Part Q, SBD) 6.8 T / 10Ar / 4 / 10Ar / 4T	0.8	31	37	0.50	Frosted	**Yes	**Yes	**Yes	No	No
Security (Part Q, SBD) 6.8 T / 10Kr / 4 / 10Kr / 4T	0.6	31	37	0.50	Frosted	**Yes	**Yes	**Yes	No	No
Safety & Security (Toughened In) (Part Q, SBD) 6.8 T / 10Ar / 4 / 10Ar / 4 ESGT	0.8	31	37	0.50	Frosted	**Yes	**Yes	**Yes	No	No
Safety & Security (Toughened In) (Part Q, SBD) 6.8 T / 10Kr / 4 / 10Kr / 4 ESGT	0.6	31	37	0.50	Frosted	**Yes	**Yes	**Yes	No	No
Safety & Security (Toughened Middle) (Part Q, SBD) 6.8 T / 10Ar / 4ESG / 10Ar / 4 ESGT	0.8	31	37	0.50	Frosted	**Yes	**Yes	**Yes	No	No
Safety & Security (Toughened Middle) (Part Q, SBD) 6.8 T / 10Kr / 4ESG / 10Kr / 4 ESGT	0.6	31	37	0.50	Frosted	**Yes	**Yes	**Yes	No	No

### Slimline Glass Options Glazing 14mm - 16mm

Krypton Filled, Warm Edge Spacer and Softcoat Low-e

Description & Unit Config.	Ug	dB	Weight Kg/m <sup>2</sup>	G Value	Obscure	Anti Sun	Painted	Lead	Bevelled	Self Clean
Std Float 4 / 8Kr / 4 T	1.2	31	16	0.58	All	Yes	No	Yes	Yes	Yes
Toughened In 4 / 8Kr / 4 ESG T	1.2	31	16	0.58	All	Yes	No	Yes	Yes	Yes
Toughened Out 4 ESG / 8Kr / 4 T	1.2	31	16	0.58	All*	Yes	Yes	Yes	Yes	Yes
Toughened Both 4 ESG / 8Kr / 4 ESG T	1.2	31	16	0.58	All*	Yes	Yes	Yes	Yes	Yes

## Single Glass Options Glazing Panes 4mm.

Description & Unit Config.	Ug	dB	Weight Kg/m <sup>2</sup>	G Value	Obscure	Anti Sun	Painted	Lead	Bevelled	Self Clean
Std Float 4mm	5.8	29	10	0.87	All*	Yes	No	Yes	Yes	Yes
Toughened 4mm ESG	5.8	29	10	0.87	All*	Yes	No	Yes	Yes	Yes
Security 6.5mm Laminated	5.8	30	16	0.81	Frosted	No	No	Yes	No	No

## Unit Sizes

### Contemporary

Product	Double	Acoustic	Triple
Casement	25	32	32
Tilt & Turn	25	32	32
Sliding Sash	25	25	25
*Sliding Sash	N/A	36	36
Doors	25	32	32

### Traditional

Product	Double	Acoustic	Triple
Casement	25	25	N/A
*Casement	N/A	36	36
Tilt & Turn	32	36	36
Sliding Sash	25	25	25
*Sliding Sash	N/A	36	36
Doors	32	36	36

\* Sash depth increased to 68mm

### Creative

Product	Double	Acoustic	Triple
Creative	27	32	32